



A TEREX BRAND

Parts Manual

Serial Number Range

S-40

from SN 831 to 7000

S-45

Part No. 52090

Rev E46

November 2018

Technical Publications

Genie has endeavored to deliver the highest degree of accuracy possible. However, continuous improvement of our products is a Genie policy. Therefore, product specifications are subject to change without notice.

Readers are encouraged to notify Genie of errors and send in suggestions for improvement. All communications will be carefully considered for future printings of this and all other manuals.

Contact Us:

Internet: www.genielift.com
e-mail: awp.techpub@terex.com

Find a Manual for this Model


Go to <http://www.genielift.com>

Use the links to locate Operator's, Parts, Maintenance, and Service and Repair Manuals.

Copyright © 2011 Terex Corporation

52090 Rev E November 2009
Second Edition: Fifth Printing

Genie is a registered trademark of Terex South Dakota, Inc. in the USA and many other countries. "S" is a trademark of Terex South Dakota, Inc.

 Printed on recycled paper



A TEREX BRAND

Model: S-40
Serial number: S4008-12345
Model year: 2008 **Manufacture date:** 01/05/08
Electrical schematic number: ES0274
Machine unladen weight:

Rated work load (including occupants): 500 lb / 227 kg
Maximum number of platform occupants: 2
Maximum allowable side force : 150 lb / 670 N
Maximum allowable inclination of the chassis:
0 deg
Maximum wind speed : 28 mph/ 12.5 m/s
Maximum platform height : 60 ft 6 in/ 18.3 m
Maximum platform reach : 34 ft 3 in/ 10.4 m
Gradeability: N/A
Country of manufacture: USA
This machine complies with:
ANSI A92.5
CAN B.354.4

Terex South Dakota, Inc.
18340 NE 76th Street
Redmond, WA 98052
USA



111111111111

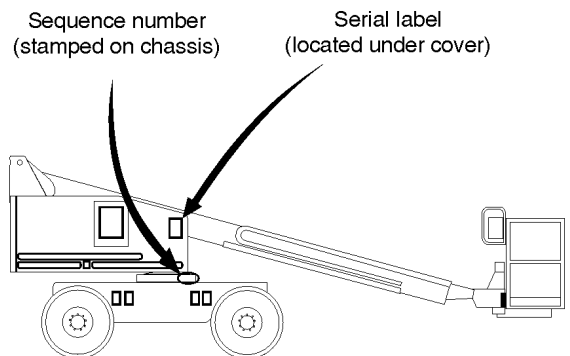
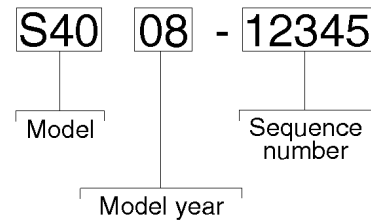
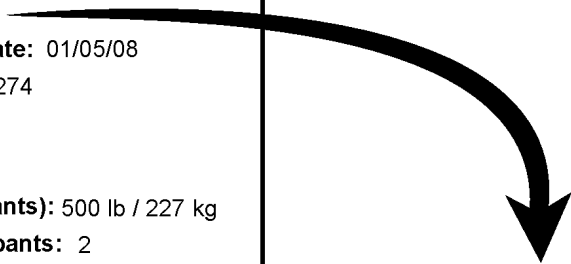


Table of Contents

This manual is updated frequently. If you have a printed manual, you can keep it up to date by downloading new figures from the Genie website at www.genielift.com. For the most up-to-date parts information, visit the Parts Lookup System on the Genie website at www.genielift.com.

How to Read Your Serial Number.....	3
Parts Stocking List.....	7
How to Order Parts.....	8
Service Parts Fax Order Form.....	9

Electronic Version

Click on any page number to view the figure.

100 Decals

101.1 Decals - View 1.....	10
102.1 Decals - View 2.....	12

200 2WD Drive Chassis Components

201.1 2WD Steer Axle Linkage - Oscillating Models.....	14
202.1 2WD Steer Axle Linkage - Non-oscillating Models.....	16
203.1 2WD Steer Axle - Wheels and Hubs.....	18
204.1 2WD Drive Manifold.....	20
205.1 2WD Non-steer Axle.....	22
206.1 2WD Oscillation Manifold and Control Valve.....	26
207.1 2WD Hydraulic Hoses and Fittings - Drive and Steer Systems.....	28
208.1 2WD Hydraulic Hoses and Fittings - Oscillation System.....	30

300 4WD Drive Chassis Components

301.1 4WD Steer Axle Linkage.....	32
302.1 4WD Steer Axle - Wheels and Hubs.....	34
303.1 4WD Drive Manifold.....	36
304.1 4WD Non-steer Axle.....	38
305.1 4WD Oscillation Manifold and Control Valve.....	42
306.1 4WD Hydraulic Hoses and Fittings - Drive and Steer Systems.....	44
307.1 4WD Hydraulic Hoses and Fittings - Oscillation System.....	48

400 Engine Components

401.1 Ford LRG-425 EFI Engine - View 1.....	50
402.1 Ford LRG-425 EFI Engine - View 2.....	52
403.1 Ford LRG-425 EFI Engine - View 3.....	56
404.1 Deutz F3L 1011F Engine - View 1.....	58

405.1 Deutz F3L 1011F Engine - View 2.....	60
406.1 Deutz F3L 1011F Engine - View 3.....	62
407.1 Perkins 704-30 Engine - View 1.....	64
408.1 Perkins 704-30 Engine - View 2.....	66
409.1 Perkins 704-30 Engine - View 3.....	68
410.1 Perkins 704-30 Engine - View 4.....	70
411.1 Perkins 704-30 Engine - View 5.....	72

500 Turntable Components

501.1 Hydraulic and Fuel Tanks - Gasoline/LPG.....	74
502.1 Hydraulic and Fuel Tanks - Gasoline/LPG.....	76
503.1 Hydraulic and Fuel Tanks - Diesel.....	78
504.1 Hydraulic and Fuel Tanks - Diesel.....	80
505.1 Function Manifold.....	82
506.1 Function Manifold and Auxiliary Power Unit Installation.....	86
507.1 Turntable Rotator and Hydraulic Rotary Coupler Installation.....	90
508.1 Ground Controls - View 1.....	94
509.1 Ground Controls - View 2.....	96
510.1 Turntable Covers, View 1.....	98
511.1 Turntable Covers, View 2.....	100
512.1 Turntable Covers, View 3.....	102
513.1 Hydraulic Hoses and Fittings.....	104

600 Boom Components

601.1 Boom Lift and Master Leveling Cylinder Installation.....	110
602.1 Boom Assembly, S-40.....	112
603.1 Boom Assembly, S-45.....	114
604.1 Cable Track Installation.....	116
605.1 Slave Cylinder and Platform Rotator, S-40 models.....	118
606.1 Jib Boom and Platform Rotator, S-45 models.....	122
607.1 Hydraulic Hoses and Fittings, S-40.....	126
608.1 Hydraulic Hoses and Fittings, S-45.....	128
609.1 Jib Detail.....	130

700 Platform Components

701.1 Platform Installation (to SN 2653).....	132
702.1 Platform Installation (from SN 2654).....	134
703.1 Platform Controls - View 1.....	136
704.1 Platform Controls - View 1.....	138
705.1 Platform Controls - View 2.....	140
706.1 Joystick Controller - Drive/Steer Functions.....	142
707.1 Joystick Controller - Boom Functions, Multi-axis.....	144

800 Accessories

801.1 Alarm and Beacon Package.....	146
802.1 Platform Options.....	148
803.1 Air Line to Platform.....	150

804.1 Generator and Spare LPG Tank.....152
805.1 Hydraulic Hoses and Fittings - Generator Option.....156
806.1 Cold Start Package - Ford, Perkins & Deutz
Engines.....158
807.1 Load Sensor Option.....160

Indices

Part Number Index.....162
Part Description Index.....167

Cross References

Fittings Cross Reference.....176

Required Parts

The following parts are required to perform maintenance procedures as outlined in the Genie S-40 and S-45 Service Manual.

Perkins 704-30 Models

Description	Part No.
Air Filter Element	62420
Fuel Filter Element	62421
Fuel/water Separator Filter	65853
Engine Oil Filter	62422
V-Belt	62423

Deutz F3L-1011F Models

Description	Part No.
Air Filter Element	62420
Fuel/water Separator Filter	29560
Engine Oil Filter	49924
V-Belt	32698

Ford LRG-425 Models

Description	Part No.
Fuel Pre-Filter	52179
Fuel Pressure Regulator Filter	58967
Engine Oil Filter	28656
Air Filter Element	62420
Serpentine Belt	52580
PCV Valve	33957
Spark Plug	28647

Recommended Parts

Description	Part No.
Genie Blue Paint, 1 Gallon	32150
Genie Blue Paint, 12 Ounce Aerosol	1484
Genie Gray Paint, 1 Gallon	32151
Genie Gray Paint, 12 Ounce Aerosol	1268

Manuals

Genie Industries offers the following support documents for these models:

Title	Part No.
EMI Safety Manual	27581
Manual of Responsibilities ANSI A92.5	31779

How To Order Parts

How to Order Parts

Please be prepared with the following information when ordering replacement parts for your Terex or Genie product.

- Machine model number
- Machine serial number
- Part number
- Part description and quantity
- Purchase order number
- "Ship to" address
- Desired method of shipment
- Name and telephone number of the authorized distributor in your area.

Use the Service Parts Fax Order Form on the next page and fax your order to our Parts Department.

If you don't know the name of your authorized distributor, or if your area is not currently serviced by an authorized distributor, please call Terex or Genie Industries.

Machine Information

Model

Serial Number

Date of Purchase

Authorized Genie Distributor

Phone Number

North America

Telephone (425)881-1800
 Toll Free (800)536-1800 in US and Canada
 Fax (425)556-8659
 Toll Free fax (888)274-6192
 Email AWP.PartsSalesPO@terex.com
<http://genielift.com/en>

EMEAR (Europe, Middle East, Africa and Russia)

Telephone (31)(165)519 313
 Fax (31)(165)511 148
<http://genielift.co.uk>

Asia Pacific (Genie Singapore)

Telephone +65 6692 7777
 Fax +65 6261 8893
<http://genielift.com.sg/>

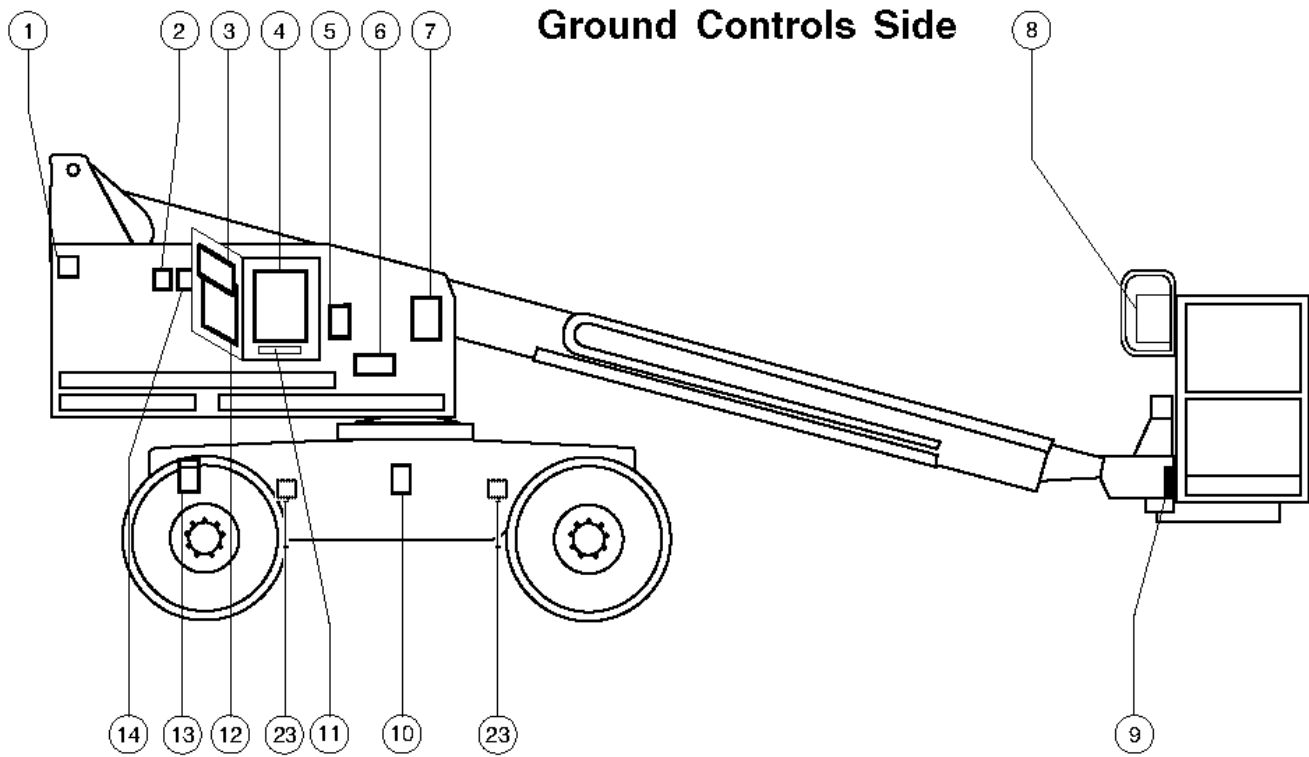
Australia

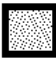
Telephone (61)(7)3456 4444
 Fax (61)(7)3456 4466
<http://genielift.com.au>

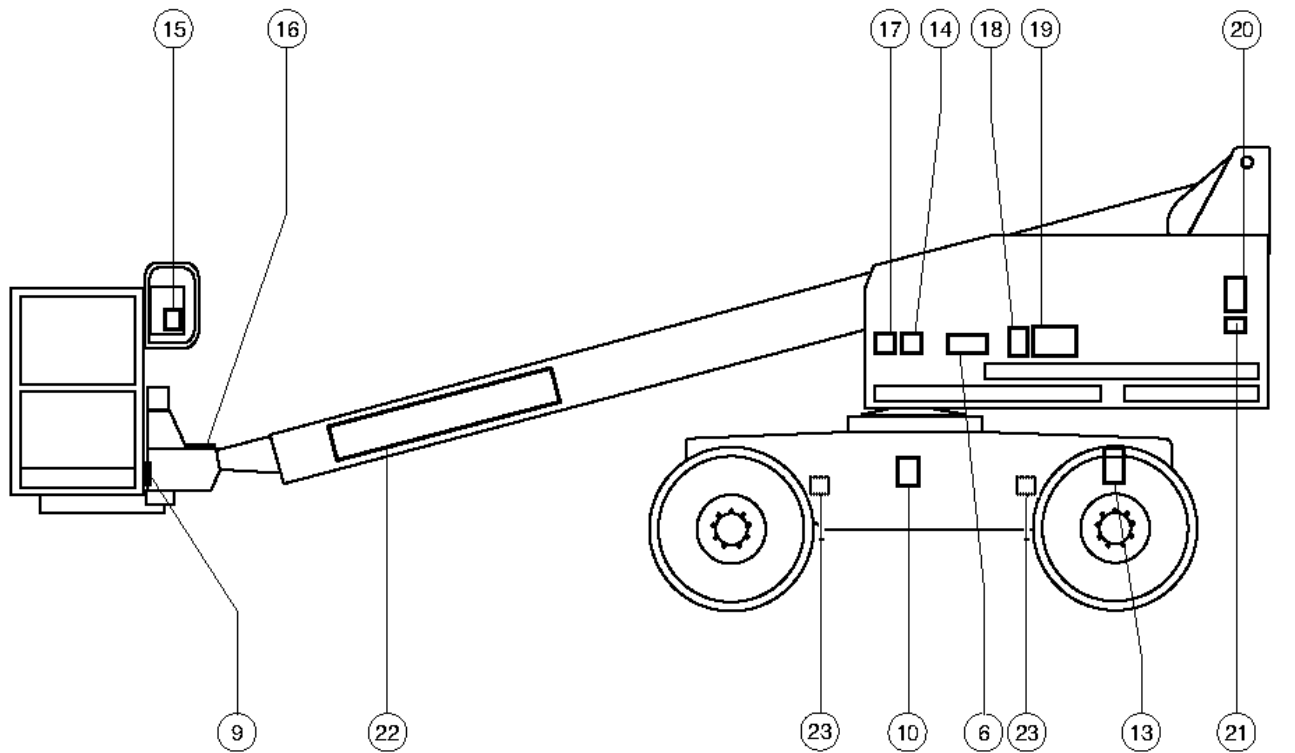
South America

Telephone (55)(11)4082 5600
 Fax (55)(11)4082 5630

101.1 Decals - View 1



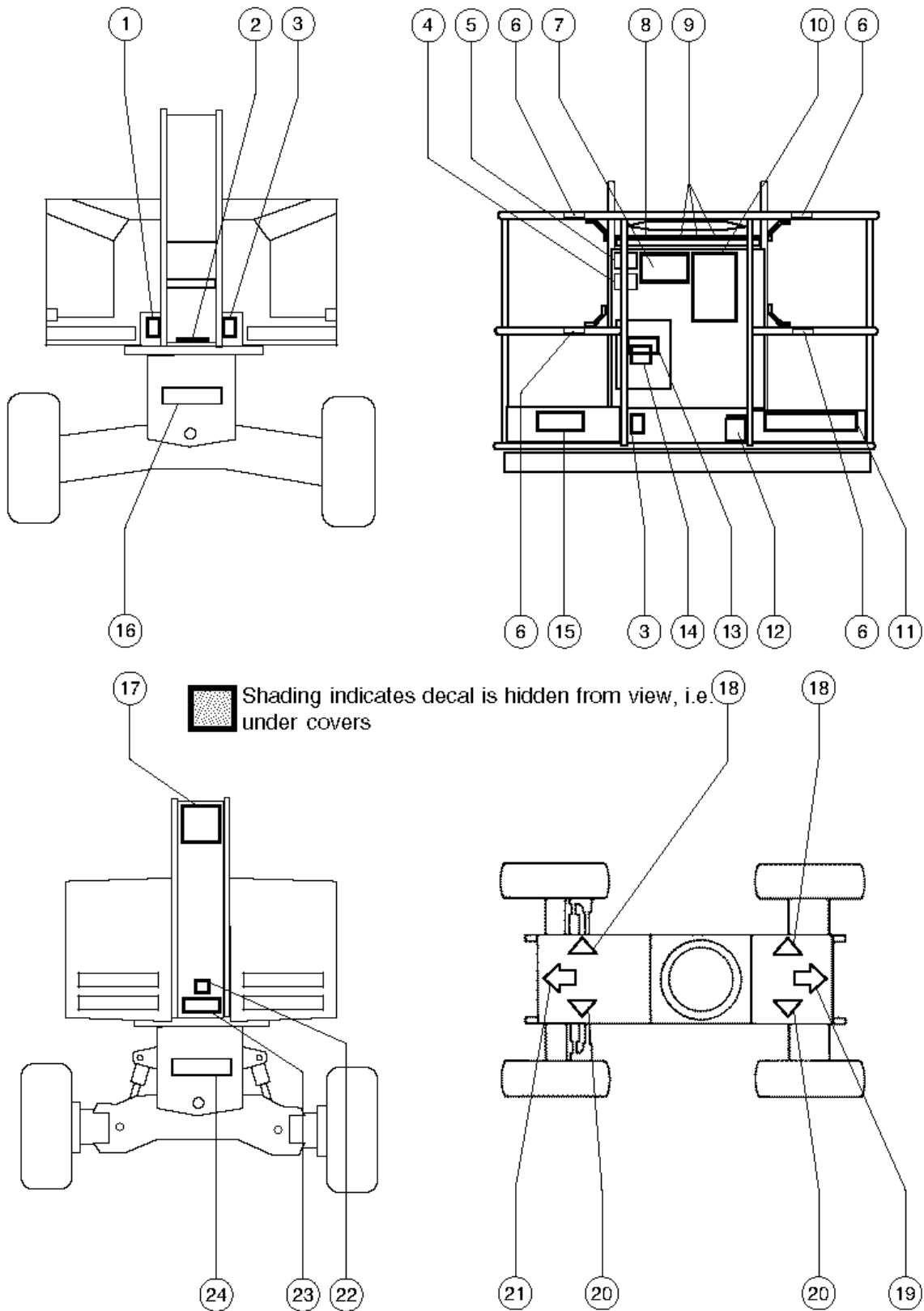
 Shading indicates decal is hidden from view, i.e. under covers



101.1 Decals - View 1

Item	Part No.	Description	Qty.	Item	Part No.	Description	Qty.
--	229352GT	KIT,WHEEL LOAD DECAL S40 2ND <i>Kit includes operator manual and decal part 226500</i>		20	49741GT	DECAL,NOTICE,FORD EFI ENG SPEC.....	1
--	229353GT	KIT,WHEEL LOAD DECAL S45 2ND <i>Kit includes operator manual and decal part 226501</i>		--	53037GT	DECAL,NOTICE,DEUTZ ENG SPEC.....	1
--	52055GT	DECAL KIT,INSTR,S40 GAS <i>Gasoline/LPG models; kit does not include, from this figure, index numbers 3, 4, 5, 7, and 15</i>		--	63461GT	DECAL, ENGINE SPEC, PERKINS.....	1
--	46198GT	DECAL KIT,INSTRUCT,S40 DIESEL <i>Diesel models; kit does not include, from this figure, index numbers 3, 4, 5, 7, and 15</i>		21	35599GT	DECAL,NOTICE,AIR INLET*** <i>Deutz Diesel models</i>	1
1	28157GT	DECAL,USE DEXRON***.....	1	22	62072GT	DECAL,COSMETIC,GENIE S-40***.....	1
--	82366GT	DECAL, LABEL - CHEVRON RANDO..... <i>from SN 6457</i>	1	22	62074GT	DECAL,COSMETIC,GENIE S-45***.....	1
2	28158GT	DECAL,LABEL,UNLEADED GAS ONLY.....	2	23	22650GT	DECAL,LABEL,WHEEL LOAD S-40.....	4
--	28159GT	DECAL,LABEL,DIESEL FUEL.....	2	23	226501GT	DECAL,LABEL,WHEEL LOAD S-45.....	4
3	43647GT	DECAL,NOTICE,OPER INST.IC***.....	1				
4	72160GT	DECAL,GND CONT PNL,S45/S60/80.....	1				
5	25994GT	DECAL,NOTICE,SHUTOFF VALVES.....	1				
6	27564GT	DECAL,DANGER,ELEC.HAZ.STAY CLR.....	2				
7	52639GT	SERIAL NUMBER PLATE - S45.....	1				
7	77046GT	SERIAL # LABEL,MYLAR 4X8***.....	1				
8	33503GT	DECAL, GENIE LOGO 14" LONG.....	1				
9	28177GT	DECAL,WARN,CRUSH HAZARD PLAT.....	2				
10	226499GT	DECAL,NOTICE,TIRE PRESSURE.....	4				
--	43595GT	DECAL,DANGER,TIP-OVER, TIRES*** <i>Deluxe Hostile Environment models</i>	4				
11	43663GT	DECAL,NOTICE, FUNCTION ENABLE*.....	1				
12	97890GT	DECAL,DANGER,GEN SAFETY RULES.....	1				
13	28161GT	DECAL,WARN,CRUSH HAZARD HAND.....	2				
14	28171GT	DECAL,DANGER,NO SMOKING ***.....	2				
15	28235GT	DECAL,POWER TO PLATFORM 115V...1					
--	28174GT	DECAL, POWER TO PLATFORM 230V**.....	1				
16	28181GT	DECAL,WARN,FALL HAZARD.....	1				
17	28160GT	DECAL,LABEL,LIQUID PROPANE.....	1				
18	28164GT	DECAL,NOTICE,HAZARDOUS MAT'LS*.....	1				
19	28175GT	DECAL,WARNING-COMPART ACCESS.....	1				

102.1 Decals - View 2

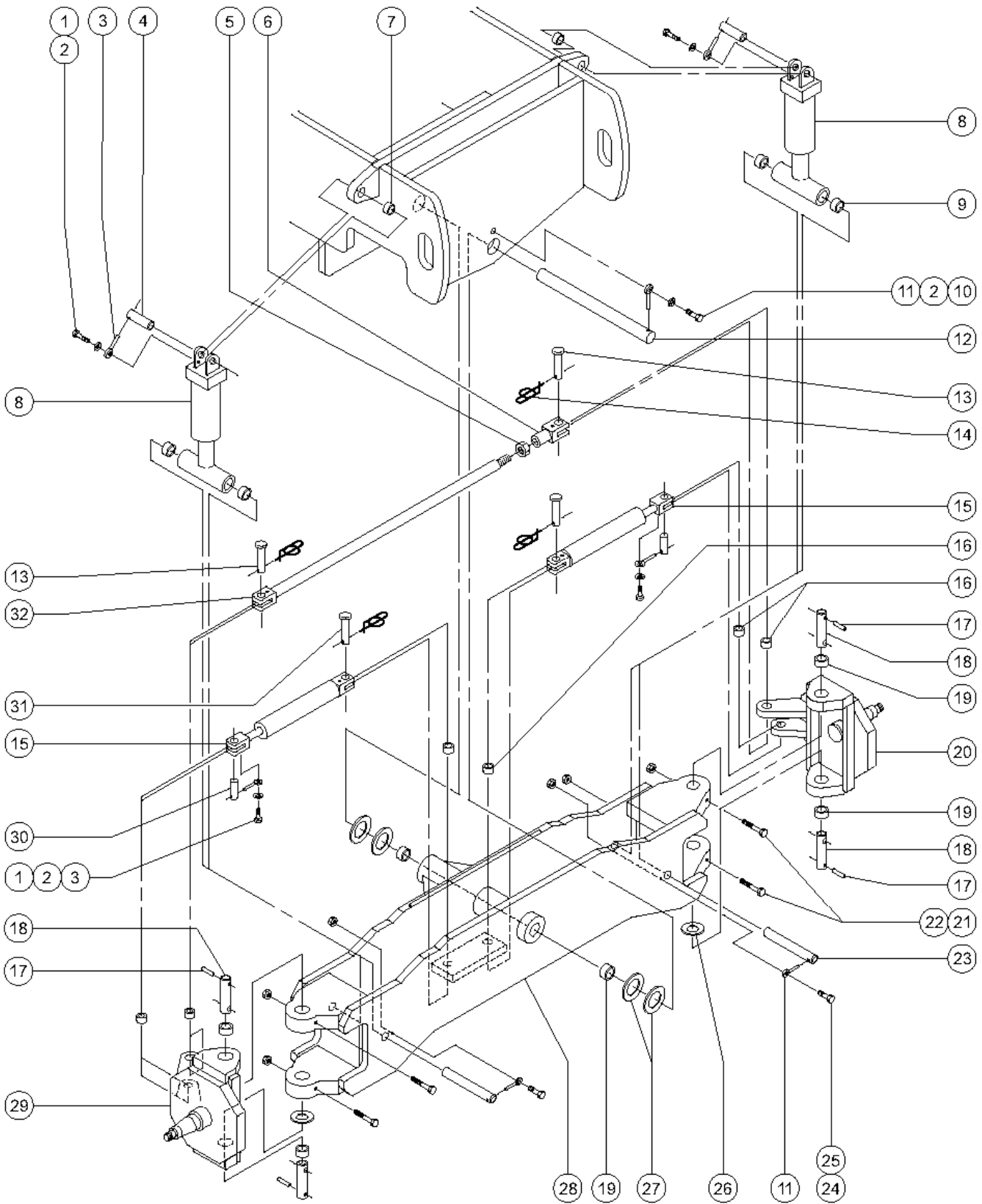


102.1 Decals - View 2

Item	Part No.	Description	Qty.	Item	Part No.	Description	Qty.
--	46198GT	DECAL KIT,INSTRUCT,S40 DIESEL <i>Diesel models; kit excludes, index numbers 1, 3, 4, 8, 9, and 15</i>		--	44769GT	DECAL,LABEL,LFT/DRV SELECT.....1	
--	52055GT	DECAL KIT,INSTR,S40 GAS <i>Gasoline/LPG models; kit excludes, index numbers 1, 3, 4, 8, 9, and 15</i>		--	72867GT	DECAL,LABEL,LIGHTS***.....1	
1	28235GT	DECAL,POWER TO PLATFORM 115V...1		10	97890GT	DECAL,DANGER,GEN SAFETY RULES.....1	
--	28174GT	DECAL, POWER TO PLATFORM 230V**.....1		11	30080GT	DECAL,NOTICE,MAX LOAD 500 LBS...1	
2	28161GT	DECAL,WARN,CRUSH HAZARD HAND.....1		12	28165GT	DECAL,INSTRUCT,FOOTSWITCH OPER.....1	
3	44981GT	DECAL,LABEL,AIR LINE 110 PSI.....2		13	28236GT	DECAL,WARN,IMPROPER OPERATION.....1	
4	43595GT	DECAL,DANGER,TIP-OVER,TIRES***...1 <i>Deluxe Hostile Environment models</i>		14	28176GT	DECAL,LABEL,MANUAL NOT HERE....1	
5	33952GT	DECAL,DANGER,TILT ALARM.....1		15	97887GT	DECAL,INSTR,MAX SIDE FRC,ANSI....1 <i>ANSI and CSA Models</i>	
6	40434GT	DECAL,LANYARD ANCHORAGE POINT.....4		--	44986GT	DECAL,INSTR,SIDE FRC/WIND,AUS....1 <i>CE Models</i>	
7	43647GT	DECAL,NOTICE,OPER INST.IC***.....1		16	62073GT	DECAL,COSMETIC,S40.....1	
8	32657GT	DECAL,PLATFORM CTRL PANEL***1 <i>to SN 1780</i>		16	62075GT	DECAL,COSMETIC,S-45.....1	
8	72164GT	DECAL,PLATFORM CTRL PANEL,S40.....1 <i>from SN 4508</i>		17	62959GT	DECAL,COSMETIC,S40,10".....1	
--	32755GT	DECAL,PROTECT,CLEAR,PLAT.S40**...1 <i>to SN 1780</i>		17	62960GT	DECAL,COSMETIC,S45,10".....1	
--	52155GT	DECAL,PLATFORM CTRL,S40/S45.....1 <i>to SN 4507</i>		18	27207GT	DECAL,TRIANGLE,YELLOW.....2	
--	52250GT	DECAL,PROTCTR,CLEAR,PLATE,S40..1		19	27205GT	DECAL,ARROW YELLOW LRG 9".....1	
--	82242GT	DECAL,LABEL,FUEL SELECT PATCH...1		20	27206GT	DECAL,TRIANGLE,BLUE.....2	
8A	52155GT	DECAL,PLATFORM CTRL,S40/S45.....1 <i>from SN 1781 to 4507</i>		21	27204GT	DECAL,ARROW BLUE.....1	
--	52250GT	DECAL,PROTCTR,CLEAR,PLATE,S40..1 <i>from SN 1781 to 7180</i>		22	31060GT	DECAL,DANGER DO NOT ALTER SWTC.....1	
8B	72164GT	DECAL,PLATFORM CTRL PANEL,S40.....1 <i>from SN 4508 to 7000</i>		23	27564GT	DECAL,DANGER,ELEC.HAZ.STAY CLR.....1	
--	52250GT	DECAL,PROTCTR,CLEAR,PLATE,S40..1 <i>from SN 1781 to 7180</i>		24	52967GT	DECAL,COSMETIC,4 X 4.....1	
8C	82469GT	DECAL,PLATFORM CONTROL PANEL.....1 <i>from SN 7001 to 7180</i>		--	52966GT	DECAL,COSMETIC,4 X 2.....1	
--	52250GT	DECAL,PROTCTR,CLEAR,PLATE,S40..1 <i>from SN 1781 to 7180</i>					
8D	82767GT	DECAL,PLATFORM CONTROL PANEL**.....1 <i>from SN 7181 on</i>					
--	89836GT	DECAL,PROTCTR,CLEAR,PLATE*.....1 <i>from SN 7181 on</i>					
9	32726GT	DECAL,OPTION GLOW PLUGS***1					
--	133518GT	DECAL, PATCH, GEN,ALC-500.....1					



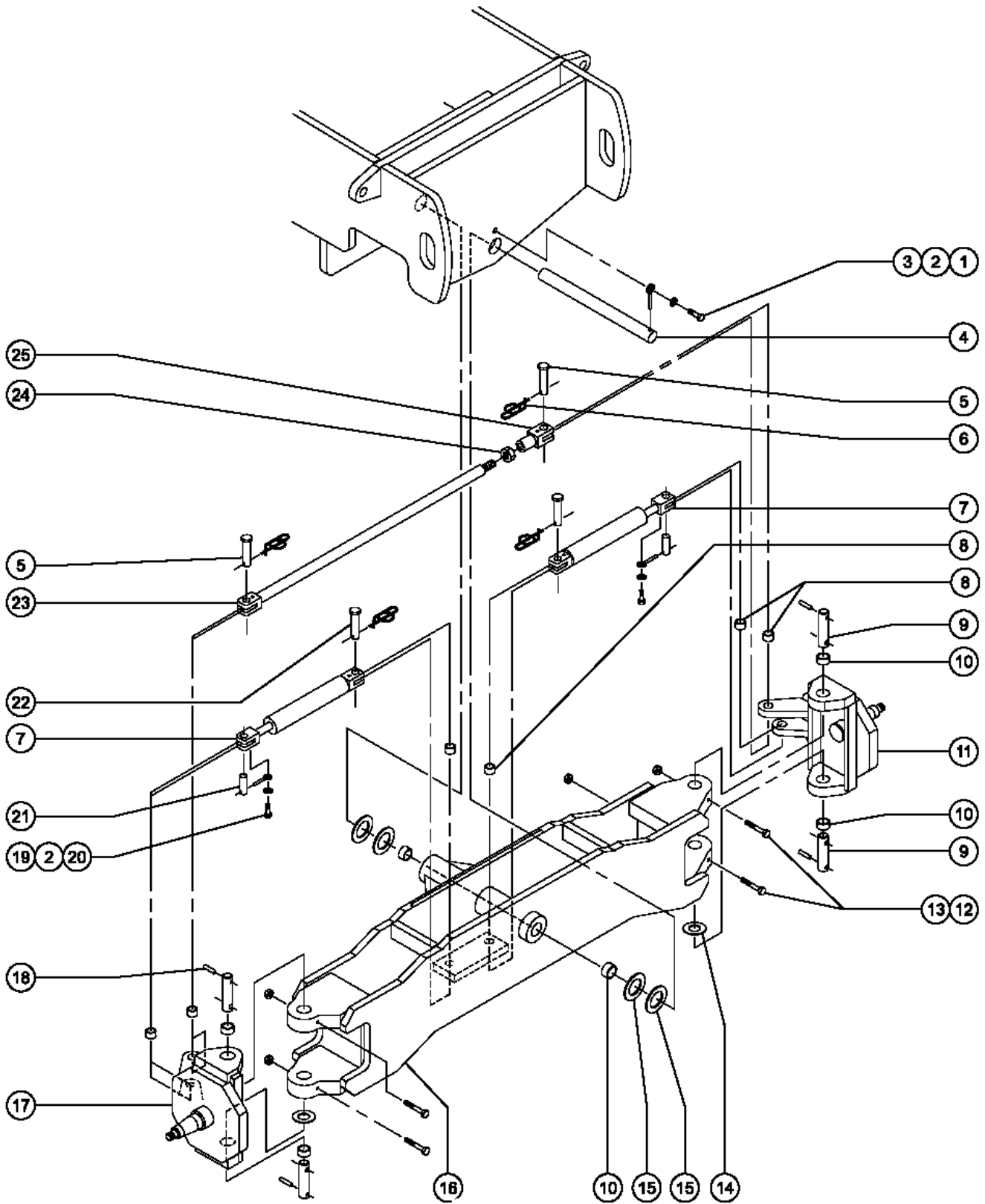
201.1 2WD Steer Axle Linkage - Oscillating Models



201.1 2WD Steer Axle Linkage - Oscillating Models

Item	Part No.	Description	Qty.	Item	Part No.	Description	Qty.
1	8255GT	SCREW,HHC,3/8-16 X .75.....	8	24	6708GT	SCREW,HHC,3/8-16 X 2.25.....	2
2	6021GT	WASHER,LOCK,.375.....	9	25	4828GT	NUT,NYLOCK,3/8-16.....	2
3	1255452GT	ROD END,.375 X 2.25,ZAG.....	8	26	45074GT	WASHER,THRUST,1.5 X 3.5 X .187.....	2
4	30737GT	PIN,1.25DIAX3.00LG,1HOLE.....	2	27	36603GT	WASHER,FLAT,1.56 X 3.5 X .061.....	4
5	28352GT	NUT,HEX,JAM,1-8.....	1	28	102192-SGT	WELDMENT,FRT AXLE OSC,ASSY..... <i>includes 2 each index numbers 16 and 19</i>	1
6	23154-SGT	WELDMENT,ROD END.....	1	29	65516GT	YOKE ASSEMBLY 2WD S40 RIGHT..... <i>includes 2 each index numbers 16 and 19</i>	1
7	30370GT	BEARING,1.25IDX1.5ODX1.00L.....	2	30	30734GT	PIN,1.00DIAX2.88LG,1HOLE.....	2
8	89099GT	CYLINDER,OSCILLATE S40/45..... <i>includes 2 each index number 9</i>	2	31	53613GT	PIN, 3.50" X 1.00"..... <i>to SN 5453</i>	2
--	31106GT	VALVE,CNTERBAL,CBBB-LHN@3000**.	2	--	32399GT	PIN,CLEVIS,1 X 3 LG..... <i>from SN 5454</i>	2
--	59050GT	SEAL KIT,2.5" BORE,1.5" ROD*** <i>for hydraulic cylinder number 59102</i>		32	30747GT	TIE ROD, WELDMENT.....	1
--	89100GT	SEAL KIT,OSC.CYL.		--	63155GT	WELDMENT,TIE ROD.....	1
9	59266GT	BEARING, POLYGON P2055 (59105)....	4				
10	6175GT	SCREW,HHC,3/8-16 X 1.....	1				
11	825019GT	ROD END,.375X3.69,ZAG.....	3				
12	30735GT	PIN, 1.50DIAX17.50LG, CHAMFER.....	1				
13	30734GT	PIN,1.00DIAX2.88LG,1HOLE..... <i>to SN 5453</i>	2				
--	19440GT	PIN,CLEVIS,1 X 2.5 LG..... <i>from SN 5454</i>	2				
14	1255452GT	ROD END,.375 X 2.25,ZAG..... <i>to SN 5453</i>	4				
--	74389GT	RUE RING,1.00..... <i>from SN 5454</i>	4				
15	89065GT	CYLINDER,STEER***.....	2				
--	32673GT	SEAL KIT (CYL PN 30585) <i>for hydraulic cylinder number 30585</i>					
--	58116GT	UPDATE KIT STEERING S40/45 <i>must use for first time replacement of hydraulic cylinder number 30585</i>					
--	59076GT	SEAL KIT,2.0" BORE CYLINDERS** <i>for hydraulic cylinder number 59036</i>					
--	59169GT	SEAL KIT,2" BORE,1" ROD*** <i>for hydraulic cylinder number 59297 and 59303</i>					
--	89066GT	SEAL KIT,STEER CYL (89065) <i>for hydraulic cylinder number 89065</i>					
16	25817GT	BEARING,1.00IDX1.25ODX1.00L.....	6				
17	14815GT	PIN,ROLL,SST,.25 X 2.25.....	4				
18	53081GT	PIN,1.50DIAX4.76LG,2HOLE.....	4				
19	119619GT	BEARING,1.5IDX1.75ODX1.5L,PTFE....	6				
20	65515GT	YOKE ASSEMBLY 2WD S40 LEFT..... <i>includes 2 each index numbers 16 and 19</i>	1				
21	8220GT	SCREW,HHC,1/2-13 X 4.....	4				
22	6086GT	NUT,LP NYLOCK,1/2-13.....	4				
23	30190GT	PIN,1.25DIAX7.25LG,1HOLE.....	2				

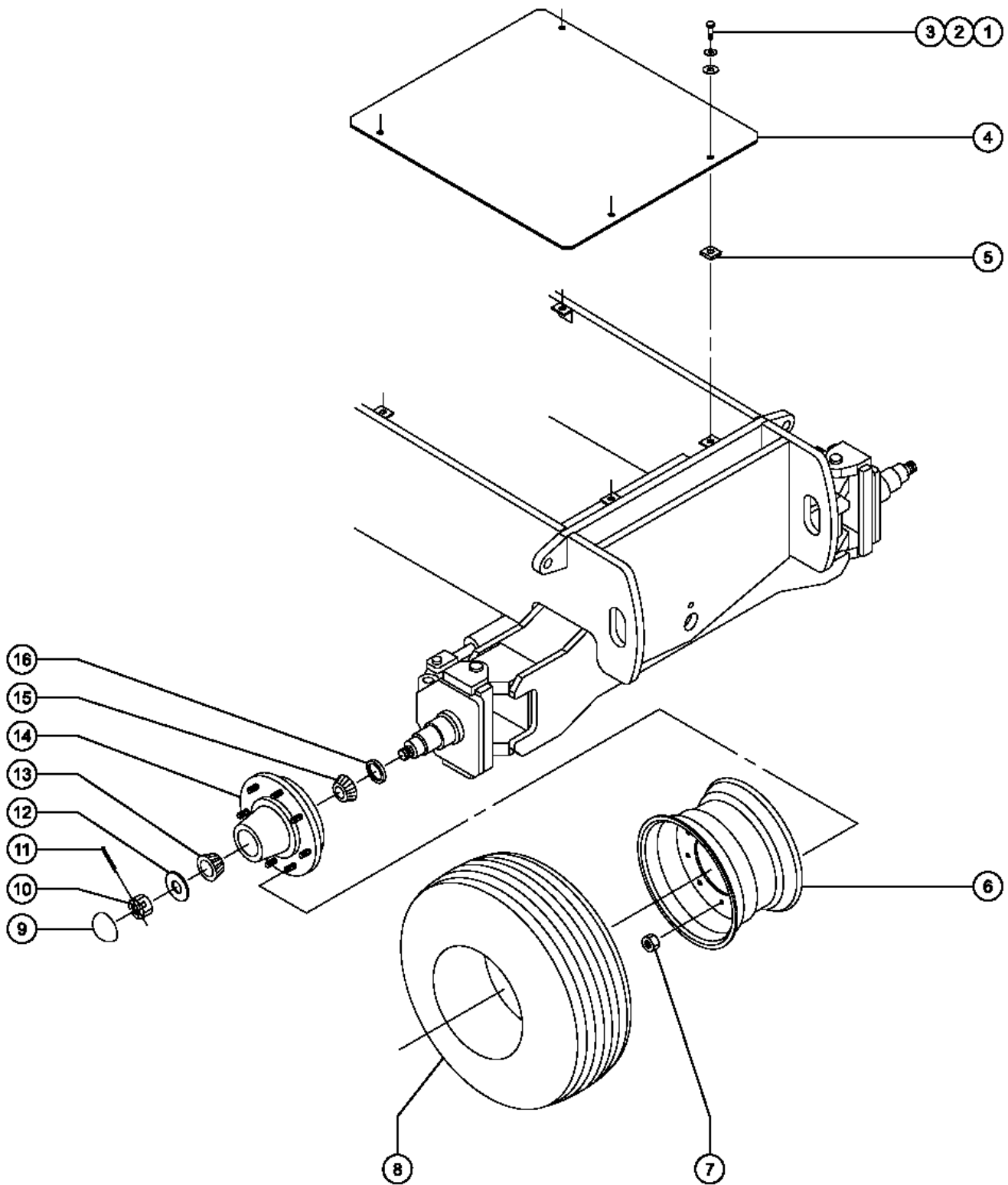
202.1 2WD Steer Axle Linkage - Non-oscillating Models



202.1 2WD Steer Axle Linkage - Non-oscillating Models

Item	Part No.	Description	Qty.	Item	Part No.	Description	Qty.
1	6175GT	SCREW,HHC,3/8-16 X 1.....	1	24	28352GT	NUT,HEX,JAM,1-8.....	1
2	6021GT	WASHER,LOCK,.375.....	7	25	23154-SGT	WELDMENT,ROD END.....	1
3	825019GT	ROD END,.375X3.69,ZAG.....	1				
4	30735GT	PIN, 1.50DIA X 17.50LG, CHAMFER.....	1				
5	30734GT	PIN,1.00DIA X 2.88LG,1HOLE.....	2				
--	19440GT	PIN,CLEVIS,1 X 2.5 LG.....	2				
		<i>from SN 5454</i>					
6	1255452GT	ROD END,.375 X 2.25,ZAG.....	4				
--	74389GT	RUE RING,1.00.....	4				
		<i>from SN 5454</i>					
7	89065GT	CYLINDER,STEER***.....	2				
--	32673GT	SEAL KIT (CYL PN 30585) <i>for hydraulic cylinder number 30585</i>					
--	58116GT	UPDATE KIT STEERING S40/45 <i>must use for first time replacement of hydraulic cylinder number 30585</i>					
--	59076GT	SEAL KIT,2.0" BORE CYLINDERS** <i>for hydraulic cylinder number 59036</i>					
--	59169GT	SEAL KIT,2" BORE,1" ROD*** <i>for hydraulic cylinder number 59297 and 59303</i>					
--	89066GT	SEAL KIT,STEER CYL (89065) <i>for hydraulic cylinder number 89065</i>					
8	25817GT	BEARING,1.00IDX1.25ODX1.00L.....	6				
9	53081GT	PIN,1.50DIA X 4.76LG,2HOLE.....	4				
10	119619GT	BEARING,1.5IDX1.75ODX1.5L,PTFE.....	6				
11	65515GT	YOKE ASSEMBLY 2WD S40 LEFT.....	1				
		<i>includes 2 each index numbers 8 and 10</i>					
12	8220GT	SCREW,HHC,1/2-13 X 4.....	4				
13	6086GT	NUT,LP NYLOCK,1/2-13.....	4				
14	45074GT	WASHER,THRUST,1.5 X 3.5 X .187.....	2				
15	36603GT	WASHER,FLAT,1.56 X 3.5 X .061.....	4				
16	32652-SGT	Steer Axle Assembly - Non-oscillating.....	1				
		<i>includes 2 each index numbers 8 and 10</i>					
17	65516GT	YOKE ASSEMBLY 2WD S40 RIGHT.....	1				
		<i>includes 2 each index numbers 8 and 10</i>					
18	14815GT	PIN,ROLL,SST,.25 X 2.25.....	2				
19	8255GT	SCREW,HHC,3/8-16 X .75.....	2				
20	1255452GT	ROD END,.375 X 2.25,ZAG.....	2				
21	30734GT	PIN,1.00DIA X 2.88LG,1HOLE.....	2				
22	53613GT	PIN, 3.50" X 1.00".....	2				
		<i>to SN 5453</i>					
--	32399GT	PIN,CLEVIS,1 X 3 LG.....	2				
		<i>from SN 5454</i>					
23	30747GT	TIE ROD, WELDMENT.....	1				
--	63155GT	WELDMENT,TIE ROD.....	1				

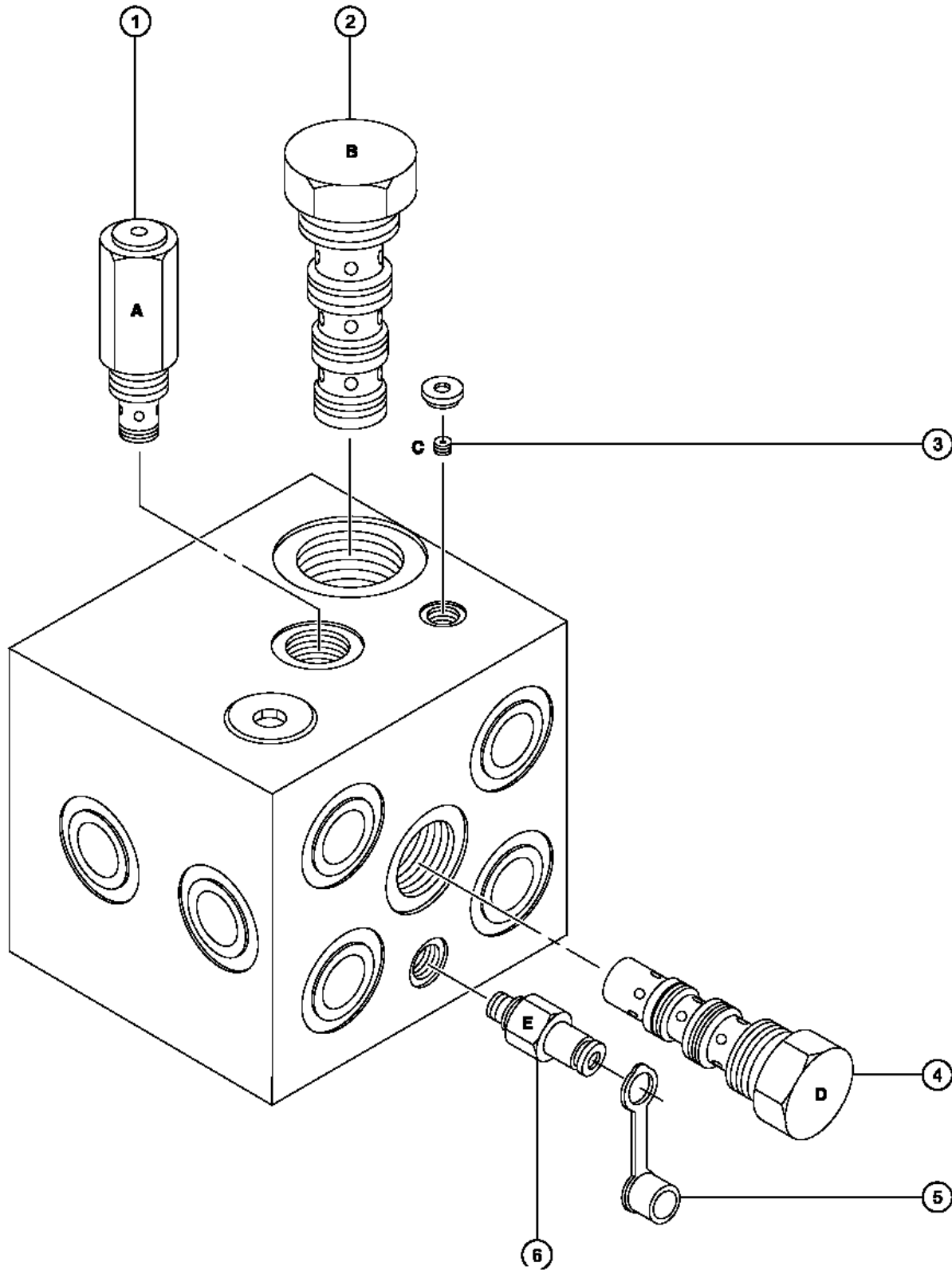
203.1 2WD Steer Axle - Wheels and Hubs



203.1 2WD Steer Axle - Wheels and Hubs

Item	Part No.	Description	Qty.
1	6090GT	SCREW,HHC,1/4-20 X .75.....	4
2	6356GT	WASHER,LOCK,.25.....	4
3	6638GT	WASHER,FLAT,USS,1/4"Y.....	4
4	32676GT	COVR W/DECLS,DR.CHAS.STR.END....1 to SN 2872	
--	102278GT	CVR ASSY W/DECALS,DRV CHASS ST.....1 from SN 2873	
5	56912GT	SPRING CLIP,1/4-20,.025-.15X.54,ZAG.....	4
6	73199GT	WHEEL, 16X10.....2 (8 hole)	
7	54627GT	NUT,LUG,5/8-18 X 90 DEGREE,Z45.....	16
8A	73198GT	TIRE & WHEEL ASSY (COMMENTS!)*..2 Industrial, Air-filled (includes item 6) (8 hole)	
--	73200GT	TIRE,IMPLEMENT,12.5-16SL,14PR for 73198	
8B	73764GT	TIRE & WHEEL ASSY. FOAM Industrial, Foam-filled (8 hole)	
9	45111GT	CAP,DUST,45873 HUB KIT.....	2
10	45113GT	NUT,SPINDLE,1-14.....	2
11	45114GT	PIN,COTTER,.219 X 1.75.....	2
12	45112GT	WASHER,SPINDLE.....	2
13	45108GT	OUTER CONE - MODEL 60-8.....2 small bearing race not included	
13A	40146GT	BEARING RACE (SMALL) (45873).....2 outer cone not included	
14	45043GT	HUB ASSEMBLY MODEL#60-8***.....2 includes index numbers 9, 13, 15, 16 and races	
--	21166GT	LUG BOLT,5/8-18,WHEEL HUB***.....	6
--	40145GT	BEARING RACE (LARGE) (45873).....2 inner cone not included	
--	40146GT	BEARING RACE (SMALL) (45873).....2 outer cone not included	
15	45107GT	INNER CONE - MODEL 60-8.....2 large bearing race not included	
15A	40145GT	BEARING RACE (LARGE) (45873).....2 inner cone not included	
16	45110GT	SEAL-GREASE,MODEL 60-8.....	2
--	45873GT	SEAL/BEARING KIT (45043,54840).....2 includes index numbers 9 through 13, 15, 16 and races	

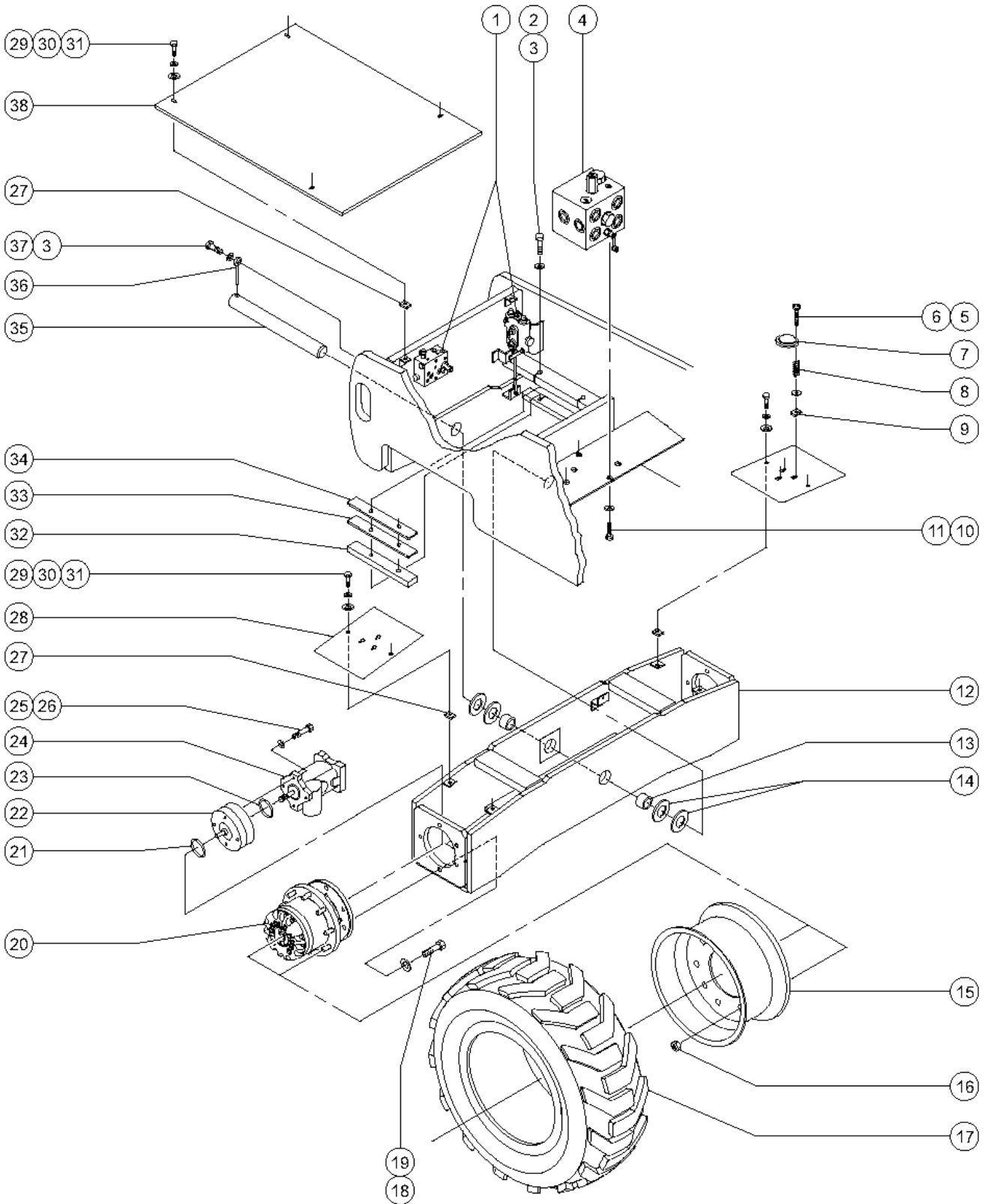
204.1 2WD Drive Manifold



204.1 2WD Drive Manifold

Item	Part No.	Description	Qty.
A		Relief Valve <i>Charge Pressure Circuit</i>	
B		Flow Divider/Combiner <i>Controls Flow to Drive Motors in Forward and Reverse</i>	
C		Orifice Plug <i>Drive Circuit</i>	
D		Shuttle Valve, 3 position 3 way <i>Charge Pressure, Hot Oil Shuttle</i>	
E		Diagnostic Fitting <i>Testing</i>	
--	28750GT	O-RING KIT,FIELD SVC,ALL PROD*	
--	33994GT	PLUG AND CAP KIT-SERVICE,37 **	
--	34448GT	TRACTION MANIFOLD,2WD*** <i>includes index numbers 1 through 4</i>	
--	49612GT	O-RING KIT (ORFS FITTINGS)	
--	49613GT	PLUG AND CAP KIT-SERVICE,ORFS*	
1	43597GT	VALVE,RELIEF,210 PSI.....	1
2	52726GT	VALVE,FLOW DIVIDER/COMBINER.....	1
3	33520GT	PLUG,ORIFICE,0.070.....	1
4	27761GT	VALVE,SHUTTLE.....	1
5	48880GT	CAP,DIAGNOSTIC NIPPLE.....	1
6	48997GT	NIPPLE,DIAGNOSTIC,#4.....	1
--	20224GT	DIAGNOSTIC FEMALE Q-DSCNT.....	1

205.1 2WD Non-steer Axle



205.1 2WD Non-steer Axle

Item	Part No.	Description	Qty.	Item	Part No.	Description	Qty.
1		Ref. Oscillation Manifold and Control Valve (refer to Figure 2-F).....	1	--	1286607GT	BEARING KIT,TORQUE HUB (20193) for 20193	
2	6096GT	SCREW,HHC,1/2-13 X 2 GR5.....	4	--	21142GT	SEAL KIT (W1B) TORQUE HUBS for 20193 (inventory limited to stock on hand as component is no longer available)	
3	6021GT	WASHER,LOCK,.375.....	5	--	21143GT	BEARING KIT (45553) TORQUE HUB....	2
4	34448GT	TRACTION MANIFOLD,2WD***.....	1	--	21144GT	CAP,DISENGAGE-45553 TORQUE HUB.....	2
5	73634GT	SCREW,PHIL,PHM,10-24X1.5 ZINC.....	3	--	21145GT	DISCONNECT ROD-45553 TQ.HUB.....	2
6	6146GT	WASHER,FLAT,MS,#10,Y.....	3	--	21146GT	COVER CAP,TORQUE HUB***.....	2
7	77026GT	LEVEL,BUBBLE,2 DEGREE *.....	1	--	21148GT	WASHER,THRUST,TORQUE HUB.....	2
		<i>European models</i>		--	21149GT	LUG,WHEEL STUD,5/8-18,W1/4HB**.....	2
8	77027GT	SPRING,1X.31 ODX.040WIRE,SS.....	3	--	37097GT	O-RING, TORQUE HUB.....	2
9	73575GT	SPRING CLIP,10-24,.025-.125X.468,ZAG.....	3	--		<i>included in Seal Kit part number 21142</i>	
10	8177GT	SCREW,HHC,1/2-13 X 1.5.....	2	--	58438GT	KIT,COVER,TORQUE HUB,45553***.....	2
11	6033GT	WASHER,LOCK,0.5".....	2	--	58459GT	THRUST CAP (20193)	
12	32653GT	NON-STEER AXLE ASSY,S40.....	1	21	52087GT	O-RING,2-044 BUNA***.....	2
		<i>includes index number 13</i>		--	41912GT	BRAKE,MICO,1200 IN/LB***.....	2
13	18396GT	BEARING,1.5IDX1.75ODX1.0L.....	2			<i>includes 1 each of index number 21; to SN 5456</i>	
14	36603GT	WASHER,FLAT,1.56 X 3.5 X .061.....	4	--	41918GT	LINING KIT,MICO BRAKE.....	2
		1		--	41921GT	SEAL KIT,BRAKE,MICO.....	2
15	122348GT	WHEEL, 16.5 X 9.75 S40.....	2	--	41922GT	BEARING KIT,BRAKE,MICO.....	2
		<i>(9 hole)</i>		--	72319GT	SPRING (RED) MICO	
16	54627GT	NUT,LUG,5/8-18 X 90 DEGREE,Z45.....	18			<i>For 41912; 8 required per brake</i>	
17A	1271438GT	TIRE/WHEEL ASSY,LH,12-16.5/10PR,AIR.....	1	22A	41912GT	BRAKE,MICO,1200 IN/LB***.....	2
		<i>RT, Air-filled, left (includes item 15) (9 hole)</i>				<i>includes 1 each of index number 21; from SN 5457</i>	
17A	1271439GT	TIRE/WHEEL ASSY,RH,12-16.5/10PR,AIR.....	1	--	65608GT	BEARING KIT, AUSCO***.....	2
		<i>RT, Air-filled, right (includes item 15) (9 hole)</i>		--	77239GT	LINING KIT,AUSCO BRAKE***.....	2
--	122348GT	WHEEL, 16.5 X 9.75 S40		--	77240GT	SEAL KIT, AUSCO BRAKE***.....	2
--	1271437GT	TIRE,12-16.5/10PR S40 HAULER for 1271439, 1271438		23	22811GT	O-RING,MOTOR TO BRAKE***.....	2
17B	1271440GT	TIRE/WHEEL ASSY,LH,12-16.5/10PR,FOAM.....	2			<i>measures approx 4" x 0.10"</i>	
		<i>RT, Foam-filled, left (9 hole)</i>		24	41398GT	MOTOR,HYDRAULIC,AXIAL PORTS***.....	2
17B	1271441GT	TIRE/WHEEL ASSY,RH,12-16.5/10PR,FOAM.....	2			<i>includes 1 each index number 23</i>	
		<i>RT, Foam-filled, right (9 hole)</i>		--	32680GT	SEAL KIT,SUNSTRAND.....	2
18	45495GT	SCREW,SHC,5/8-11 X 3.00,A574.....	12	25	7261GT	SCREW,HHC,1/2-13 X 5 BLACK.....	8
		<i>to SN 5369</i>		--	73858GT	SCREW,SHC,1/2-13X5.0 GR 5 ZINC.....	8
--	13004GT	SCREW,HHC,5/8-11 X 3 GRD.8.....	12			<i>from SN 5370</i>	
		<i>from SN 5370</i>		26	13066GT	WASHER,FLAT,.5 HARDENED.....	8
19	56911GT	WASHER,FLAT,.688X1.160X.09.....	12	27	56912GT	SPRING CLIP,1/4-20,.025-.15X.54,ZAG.....	8
20	20193GT	TORQUE HUB,35:1***.....	2	28	30802P-SGT	COVER,NON-STEER AXLE "BLUE".....	2
20	21143GT	BEARING KIT (45553) TORQUE HUB for 20193 (inventory limited to stock on hand as component is no longer available)		29	6090GT	SCREW,HHC,1/4-20 X .75.....	8
--	1286606GT	SEAL KIT,TORQUE HUB (20193) for 20193		30	6356GT	WASHER,LOCK,.25.....	8
				31	6638GT	WASHER,FLAT,USS,1/4"Y.....	8

205.1 2WD Non-steer Axle
(continued)

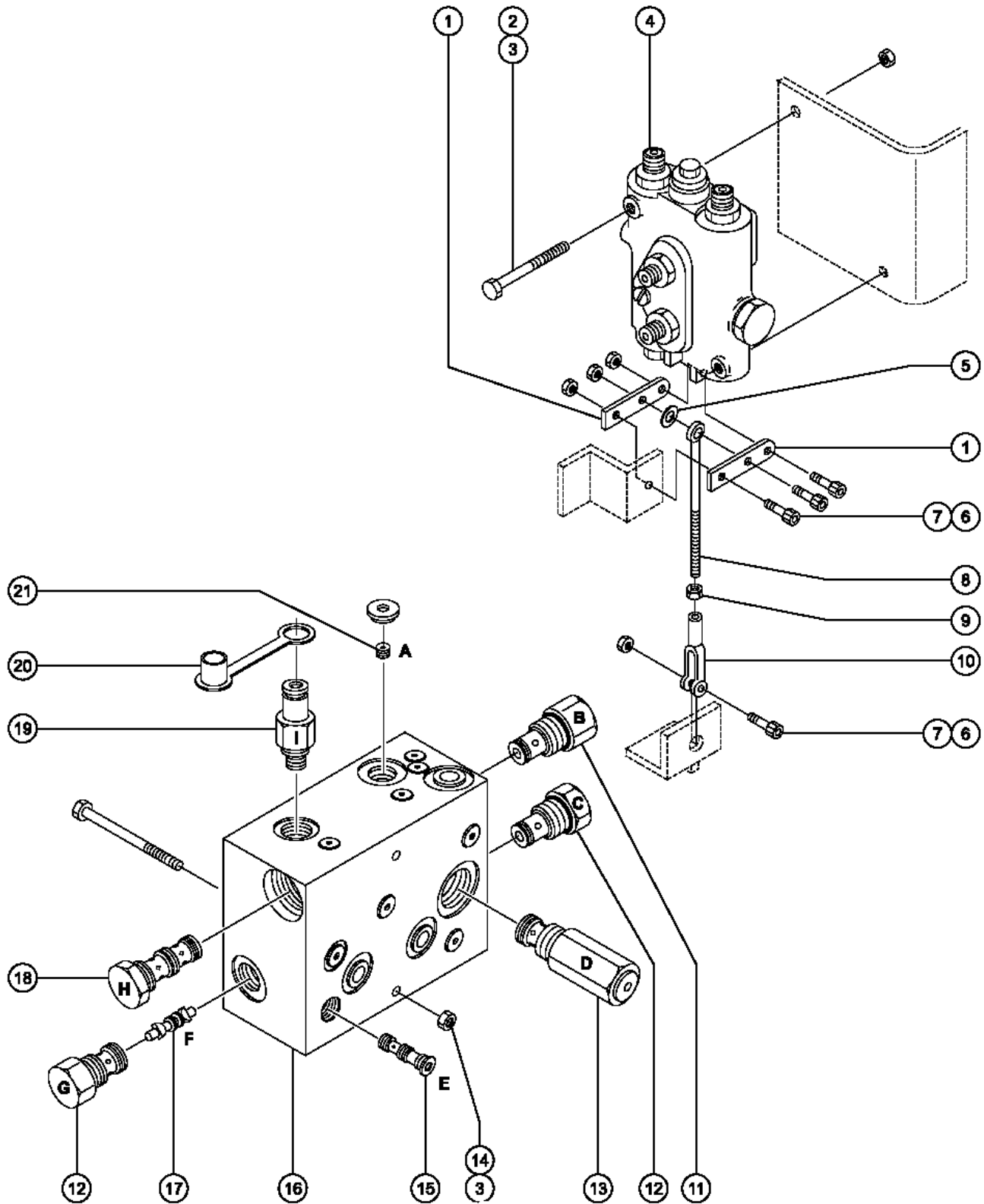
Item	Part No.	Description	Qty.
32	30690GT	BAR,AXLE ROTATION STOP,OSC. **2 <i>oscillating models</i>	
--	30691GT	BAR,AXLE ROTATION STOP,NON-OSC.....2 <i>non-oscillating models</i>	
33	30808GT	SHIM,AXLE ROTATION STOP.....2 1	
34	30809GT	SHIM,AXLE ROTATION STOP,22 GA.....2 1	
35	30735GT	PIN, 1.50DIAX17.50LG, CHAMFER.....1	
36	825019GT	ROD END,.375X3.69,ZAG.....1	
37	6175GT	SCREW,HHC,3/8-16 X 1.....1	
38	32682GT	COVR W/DECL,DR.CHAS.NONSTEER.....1 <i>to SN 2872</i>	
--	89803GT	COVER, CHASSIS ASSY W/DECALS....1 <i>from SN 2873</i>	

Footnotes

1: Quantity listed for this item is approximate.
Actual quantity may vary to ensure proper fit.

This Page Intentionally Left Blank

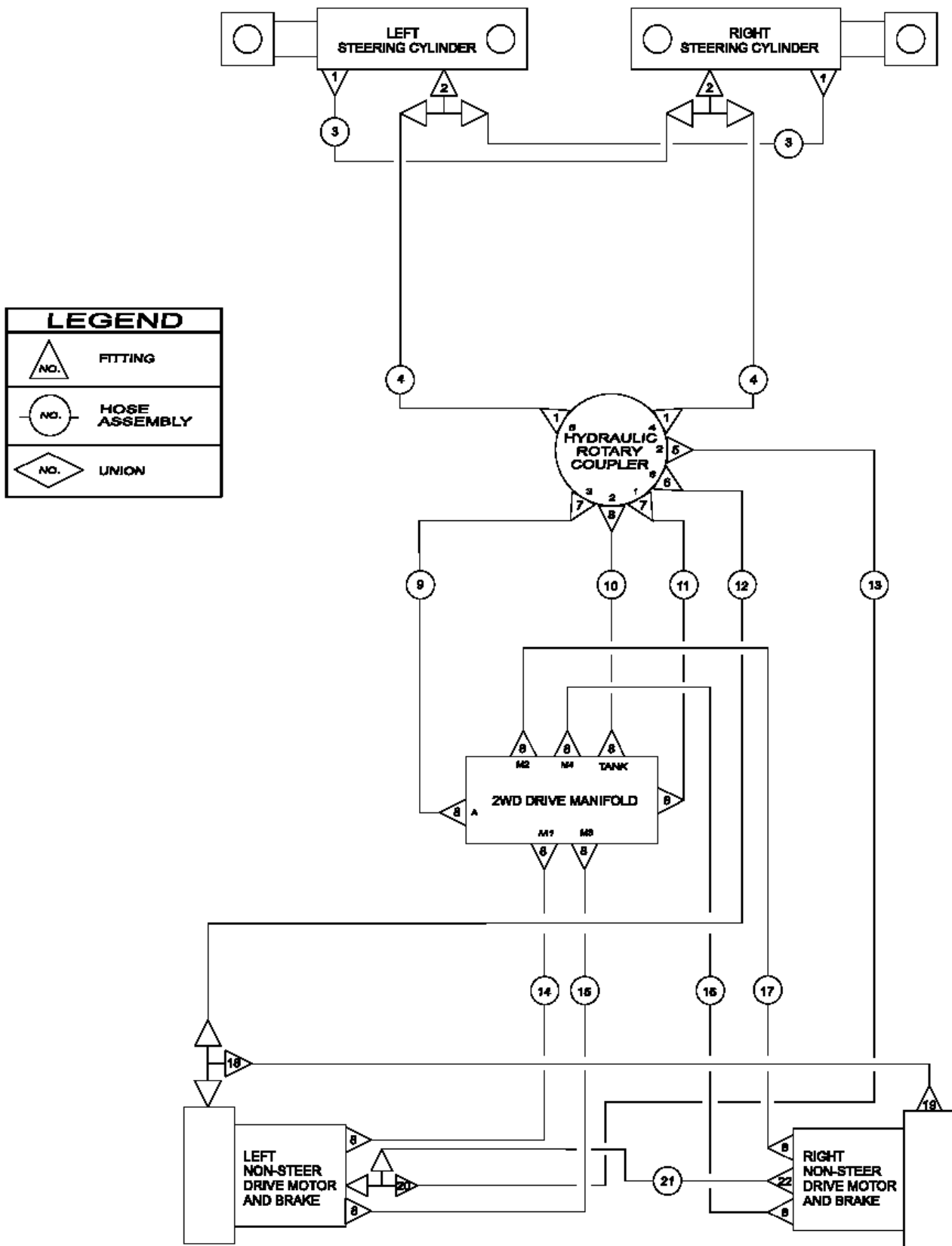
206.1 2WD Oscillation Manifold and Control Valve



206.1 2WD Oscillation Manifold and Control Valve

Item	Part No.	Description	Qty.	Item	Part No.	Description	Qty.
A		Orifice Plug <i>Differential Sensing Circuit</i>		19	48997GT	NIPPLE,DIAGNOSTIC,#4.....	1
B		Differential Sensing Valve <i>Differential Sensing</i>		20	48880GT	CAP,DIAGNOSTIC NIPPLE.....	1
C		Check Valve <i>Oscillate, Left</i>		21	29737GT	PLUG,ORIFICE,0.052 INCH.....	1
D		Valve, Unloader Pilot Operated <i>Sequencing</i>					
E		Shuttle Valve, 2 position 3 way <i>Pilot</i>					
F		Piston <i>Check Valve Circuit</i>					
G		Check Valve <i>Oscillate, Right</i>					
H		Shuttle Valve, 2 position 3 way <i>Unloading</i>					
I		Diagnostic Fitting <i>Testing</i>					
--	28750GT	O-RING KIT,FIELD SVC,ALL PROD*					
--	33994GT	PLUG AND CAP KIT-SERVICE,37 **					
--	49612GT	O-RING KIT (ORFS FITTINGS)					
--	49613GT	PLUG AND CAP KIT-SERVICE,ORFS*					
1	30884GT	OSCILLATE VALVE LINKAGE.....	2				
2	4266GT	SCREW,HHC,1/4-20 X 2.....	2				
3	6091GT	NUT,NYLOCK,1/4-20.....	4				
4	30558 32681GT	Valve - Manual, 3 position 4 way.....	1				
--	32681GT	SEAL KIT,CONTROL VALVE.....	1				
5	20980GT	WASHER,NYLON,,434 X.263X.049.....	1				
6	6584GT	SCREW,SHS,10-24 X .625.....	4				
7	5365GT	NUT,NYLOCK,10-24.....	4				
8	30885GT	LINKAGE ROD.....	1				
9	21496GT	NUT,HEX,1/4-28.....	1				
10	21130GT	CLEVIS YOKE-1/4-28,PLTD W/PIN..... <i>includes clevis pin and cotter pin</i>	1				
11	27532GT	VALVE,DIFFERENTIAL SENSING.....	1				
12	32725GT	VALVE,CHECK (30797).....	2				
13	37050GT	VALVE,UNLOADER,P.O.....	1				
14	11413GT	SCREW,HHC,1/4-20 X 4.....	2				
15	45483GT	VALVE,SHUTTLE***.....	1				
16	25375GT	KIT, O-RING.....	1				
16	30797GT	MANIFOLD,OSCILLATION..... <i>includes index numbers 11 through 13, 15, 17, 18 and 21</i>	1				
17	32724GT	PISTON (30797).....	1				
18	32723GT	VALVE,SHUTTLE (30797).....	1				
19	20224GT	DIAGNOSTIC FEMALE Q-DSCNT.....	1				

207.1 2WD Hydraulic Hoses and Fittings - Drive and Steer Systems



207.1 2WD Hydraulic Hoses and Fittings - Drive and Steer Systems

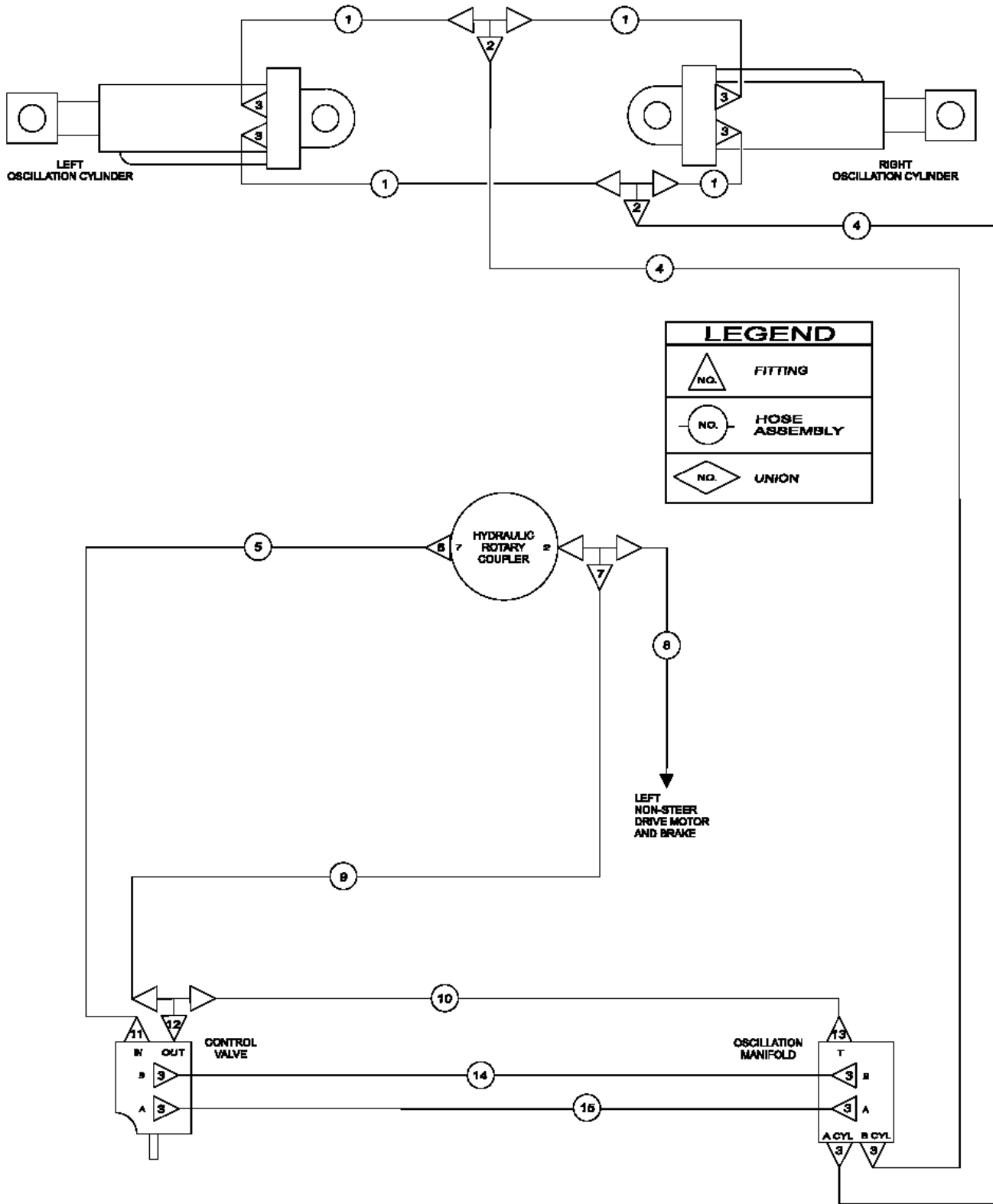
Item	Part No.	Description	Qty.
--	28750GT	O-RING KIT,FIELD SVC,ALL PROD*	
--	33994GT	PLUG AND CAP KIT-SERVICE,37 **	
--	49612GT	O-RING KIT (ORFS FITTINGS)	
--	49613GT	PLUG AND CAP KIT-SERVICE,ORFS*	
1	48915GT	ELBOW,90D,520220-6.....	4
2	48919GT	TEE,BRANCH,520429-6.....	2
3	49130-2332GT	HOSE ASSEMBLY, 3/8".....	2
		1	
4	49128-5909GT	HOSE ASSEMBLY,3/8".....	2
		2	
5	48920GT	ELBOW,45D,520320-6.....	1
6	48911GT	ELBOW,90D,520220-4-6***.....	1
7	48963GT	FITTING,ELBOW,45D,520320-12***.....	2
8	48960GT	FITTING,CONN,520120-12***.....	12
9	49156-2606GT	HOSE ASSY,3/4,90 FEM,STR FEM.....	1
		3	
10	49149-1826GT	HOSE ASSY,3/4,45 FEM,STR FEM.....	1
		4	
11	94374-2930GT	HOSE ASSY,3/4,90 FEM,STR FEM.....	1
		4	
12	49172-7388GT	HOSE ASSEMBLY,1/2".....	1
		5	
13	49117-7641GT	HOSE ASSY,1/4,90 FEM,STR FEM.....	1
		6	
14	49157-4335GT	HOSE ASSEMBLY,3/4".....	1
		7	
15	89871-3948GT	HOSE ASSEMBLY,3/4" STR-STR.....	1
		7	
16	89871-3848GT	HOSE ASSEMBLY,3/4" STR-STR***.....	1
		7	
17	89871-3348GT	HOSE ASSEMBLY,3/4" STR-STR.....	1
		7	
18	48906GT	TEE,RUN,520428-4.....	1
19	48904GT	ELBOW,90D,520220-4-4.....	1
20	48953GT	TEE,RUN,520428-10.....	1
21	49139-4518GT	HOSE ASSEMBLY,1/2".....	1
		8	
22	48946GT	CONN,520120-8-10.....	1

Item	Part No.	Description	Qty.
------	----------	-------------	------

Footnotes

- 1:** Hose End - Female, Swivel, ORFS (Parker No. 1JC43-6), Hose End - Female, Swivel, ORFS (Parker No. 1JC43-6), and Hose, 3/8 inch (Parker No. 451TC-6)
- 2:** Hose End - Female, Swivel, ORFS (Parker No. 1JC43-6), Hose End - Female, Swivel, 90°, ORFS (Parker No. 1J943-6), and Hose, 3/8 inch (Parker No. 451TC-6)
- 3:** Hose End - Female, Swivel, ORFS (Parker No. 1JC71-12), Hose End - Female, Swivel, 90°, ORFS (Parker No. 1J971-12) and Hose, 3/4 inch (Parker No. 772-12)
- 4:** Hose End - Female, Swivel, ORFS (Parker No. 1JC43-12), Hose End - Female, Swivel, 45°, ORFS (Parker No. 1J743-12) and Hose, 3/4 inch (Parker No. 481-12)
- 5:** Hose End - Female, Swivel, 90°, ORFS (Parker No. 1J943-8), Hose End - Female, Swivel, ORFS (Parker No. 1JC43-10-8) and Hose, 1/2 inch (Parker No. 451TC-8)
- 6:** Hose End - Female, Swivel, ORFS (Parker No. 1JC43-4), Hose End - Female, Swivel, 90°, ORFS (Parker No. 1J943-4) and Hose, 1/4 inch (Parker No. 451TC-4)
- 7:** Hose End - Female, Swivel, ORFS (Parker No. 1JC71-12), Hose End - Female, Swivel, ORFS (Parker No. 1JC71-12) and Hose, 3/4 inch (Parker No. 772-12)
- 8:** Hose End - Female, Swivel, ORFS (Parker No. 1JC43-8), Hose End - Female, Swivel, 45°, ORFS (Parker No. 1J743-10-8) and Hose, 1/2 inch (Parker No. 451TC-8)

208.1 2WD Hydraulic Hoses and Fittings - Oscillation System



LEGEND	
	FITTING
	HOSE ASSEMBLY
	UNION

208.1 2WD Hydraulic Hoses and Fittings - Oscillation System

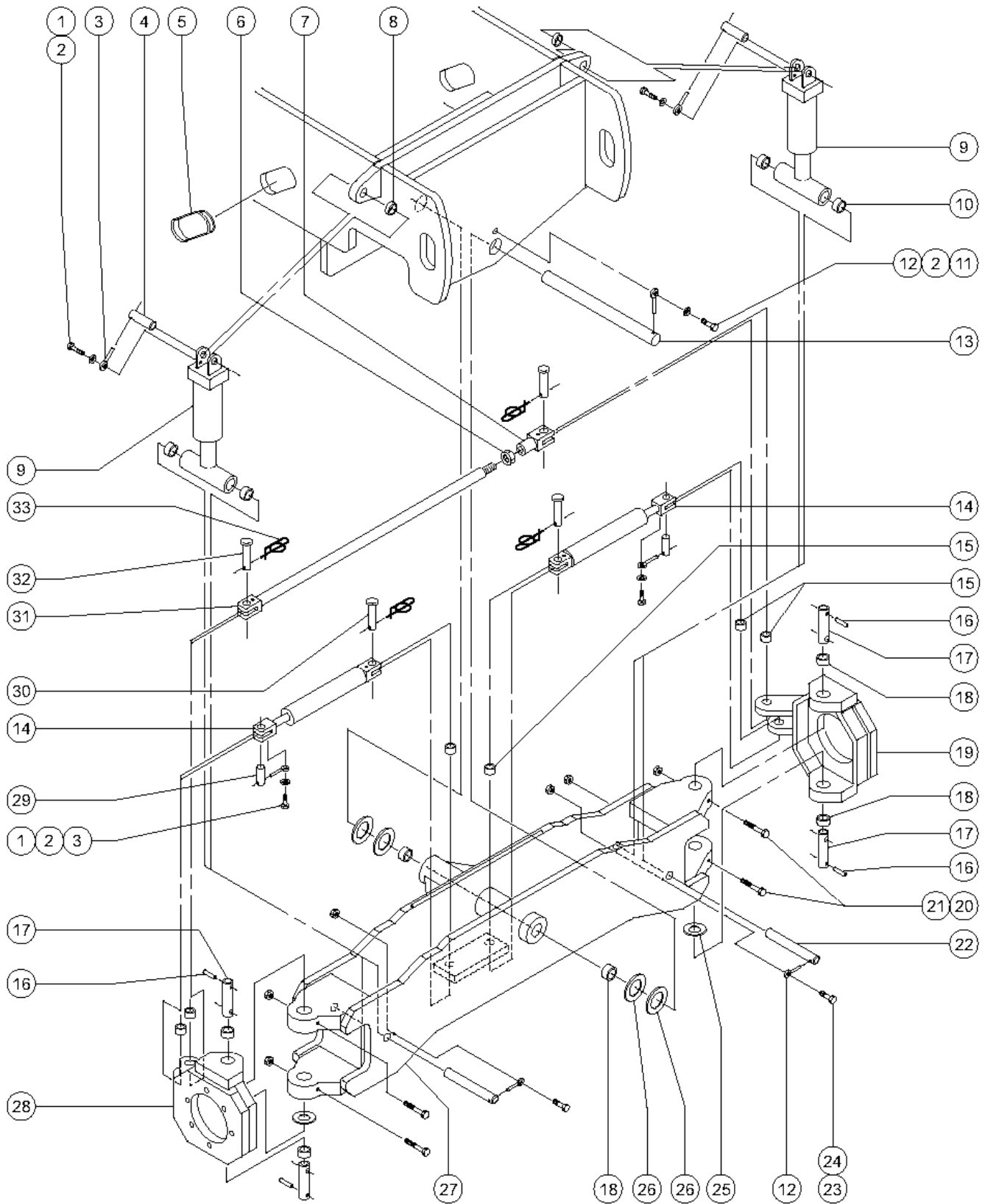
Item	Part No.	Description	Qty.
--	28750GT	O-RING KIT,FIELD SVC,ALL PROD*	
--	33994GT	PLUG AND CAP KIT-SERVICE,37 **	
--	49612GT	O-RING KIT (ORFS FITTINGS)	
--	49613GT	PLUG AND CAP KIT-SERVICE,ORFS*	
1	49130-2357GT	HOSE ASSEMBLY,3/8".....	4
		1	
2	48896GT	CONN,TEE,UNION,520401-6,ORFS.....	2
3	48916GT	FITTING,CONN,520120-6.....	10
4	49104-10809GT	HOSE ASSEMBLY,3/8".....	2
		2	
5	49125-5970GT	HOSE ASSEMBLY,3/8".....	1
		3	
6	48915GT	ELBOW,90D,520220-6.....	1
7	48935GT	TEE,RUN,520428-8.....	1
8	49117-7641GT	HOSE ASSY,1/4,90 FEM,STR FEM.....	1
		4	
9	49141-6063GT	HOSE ASSY,1/2,45 FEM,STR FEM.....	1
		5	
10	49143-1204GT	HOSE ASSY,1/2,90 FEM,STR FEM.....	1
		6	
11	48930GT	FITTING,CONN,520120-6-8***.....	1
12	48936GT	TEE,BRANCH,520429-8.....	1
13	48943GT	FITTING,CONN,520120-8-6.....	1
14	49124-1453GT	HOSE ASSEMBLY,3/8".....	1
		7	
15	49128-1109GT	HOSE ASSY,3/8,90 FEM,STR FEM.....	1
		8	

Item	Part No.	Description	Qty.
------	----------	-------------	------

Footnotes

- 1:** Hose End - Female, Swivel, ORFS (Parker No. 1JC43-6), Hose End - Female, Swivel, ORFS (Parker No. 1JC43-6) and Hose, 3/8 inch (Parker No. 451TC-6)
- 2:** Hose End - Female, Swivel, ORFS (Parker No. 1JC43-6), Hose End - Female, Swivel, 90°, ORFS (Parker No. 1J943-6) and Hose, 3/8 inch (Parker No. 381-6)
- 3:** Hose End - Female, Swivel, ORFS (Parker No. 1JC43-6), Hose End - Female, Swivel, 90°, Med., ORFS (Parker No. 1J543-6) and Hose, 3/8 inch (Parker No. 451TC-6)
- 4:** Hose End - Female, Swivel, ORFS (Parker No. 1JC43-4), Hose End - Female, Swivel, 90°, ORFS (Parker No. 1J943-4) and Hose, 1/4 inch (Parker No. 451TC-4)
- 5:** Hose End - Female, Swivel, ORFS (Parker No. 1JC43-8), Hose End - Female, Swivel, 45°, Long, ORFS (Parker No. 1J743-8) and Hose, 1/2 inch (Parker No. 451TC-8)
- 6:** Hose End - Female, Swivel, ORFS (Parker No. 1JC43-8), Hose End - Female, Swivel, 90°, ORFS (Parker No. 1J943-8) and Hose, 1/2 inch (Parker No. 451TC-8)
- 7:** Hose End - Female, Swivel, ORFS (Parker No. 1JC43-6), Hose End - Female, Swivel, 90°, Long, ORFS (Parker No. 1J143-6) and Hose, 3/8 inch (Parker No. 451TC-6)
- 8:** Hose End - Female, Swivel, ORFS (Parker No. 1JC43-6), Hose End - Female, Swivel, 90°, ORFS (Parker No. 1J943-6) and Hose, 3/8 inch (Parker No. 451TC-6)

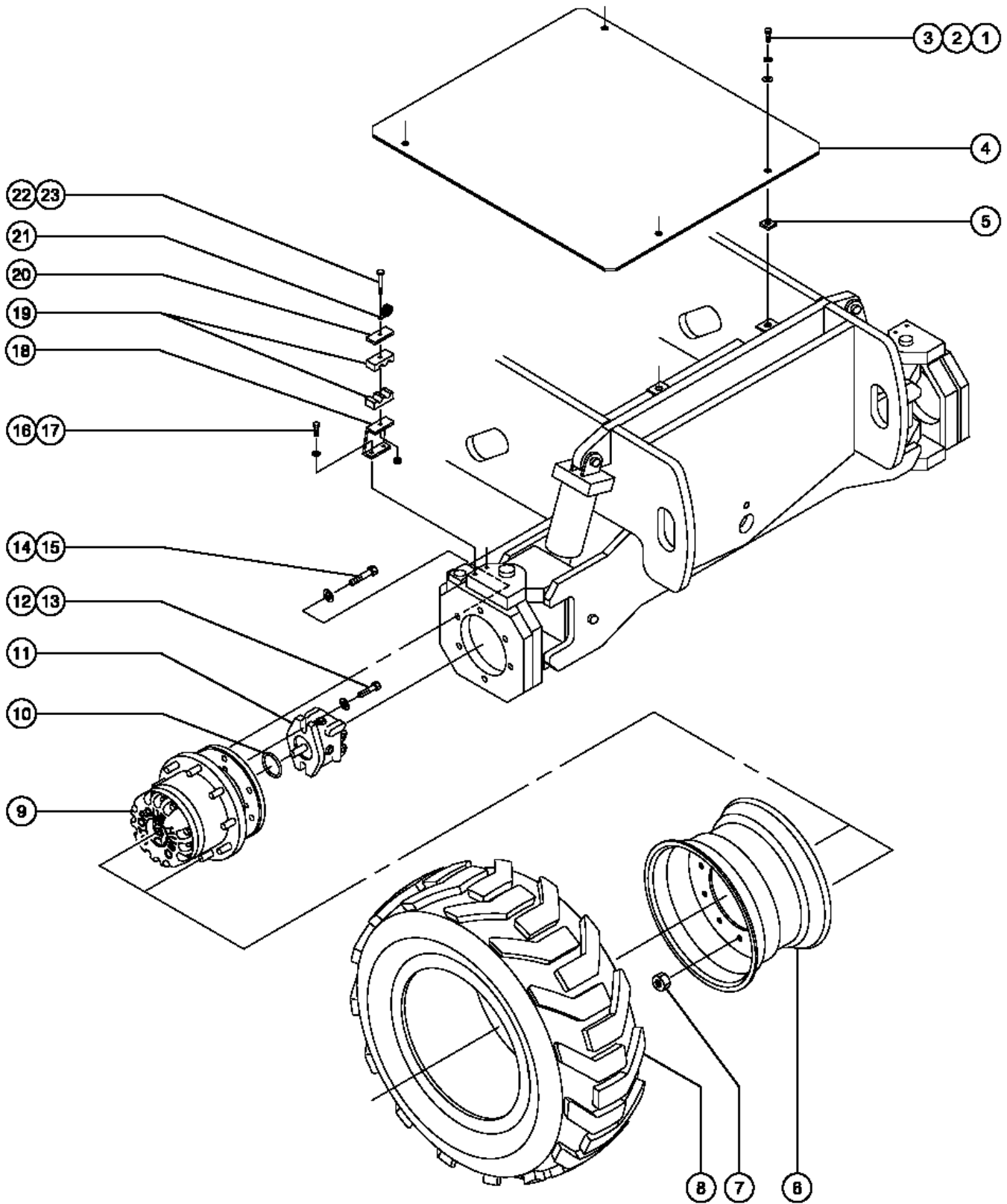
301.1 4WD Steer Axle Linkage



301.1 4WD Steer Axle Linkage

Item	Part No.	Description	Qty.	Item	Part No.	Description	Qty.
1	8255GT	SCREW,HHC,3/8-16 X .75.....	8	28	32284GT	YOKE ASSY,4WD,R.S.,S40.....	1
2	6021GT	WASHER,LOCK,.375.....	9			<i>includes 2 each index numbers 15 and 18</i>	
3	1255452GT	ROD END,.375 X 2.25,ZAG.....	8	28	32284-SGT	Yoke Assembly - Right Side.....	1
4	30737GT	PIN,1.25DIAX3.00LG,1HOLE.....	2			<i>includes 2 each index numbers 15 and 18</i>	
5	53386GT	GUARD, HOSE PROTECTOR.....	2	29	30734GT	PIN,1.00DIAX2.88LG,1HOLE.....	2
5	53387GT	GUARD, HOSE PROTECTOR.....	2	30	53613GT	PIN, 3.50" X 1.00".....	2
6	28352GT	NUT,HEX,JAM,1-8.....	1			<i>to SN 5453</i>	
7	23154-SGT	WELDMENT,ROD END.....	1	--	32399GT	PIN,CLEVIS,1 X 3 LG.....	2
8	30370GT	BEARING,1.25IDX1.5ODX1.00L.....	2			<i>from SN 5454</i>	
9	89099GT	CYLINDER,OSCILLATE S40/45.....	2	31	30747-SGT	TIE ROD, WELDMENT.....	1
		<i>includes 2 each index number 10</i>		--	63155GT	WELDMENT,TIE ROD.....	1
--	31106GT	VALVE,CNTERBAL,CBBB-LHN@3000**.	2	32	30734GT	PIN,1.00DIAX2.88LG,1HOLE.....	2
--	59050GT	SEAL KIT,2.5" BORE,1.5" ROD***	2			<i>to SN 5453</i>	
10	25683GT	BEARING,POLYGON,20DU12.....	4	--	19440GT	PIN,CLEVIS,1 X 2.5 LG.....	2
11	6175GT	SCREW,HHC,3/8-16 X 1.....	1			<i>from SN 5454</i>	
12	825019GT	ROD END,.375X3.69,ZAG.....	3	33	1255452GT	ROD END,.375 X 2.25,ZAG.....	4
13	30735GT	PIN, 1.50DIAX17.50LG, CHAMFER.....	1			<i>to SN 5453</i>	
14	89065GT	CYLINDER,STEER***.....	2	--	74389GT	RUE RING,1.00.....	4
--	32673GT	SEAL KIT (CYL PN 30585) <i>for hydraulic cylinder number 30585</i>				<i>from SN 5454</i>	
--	58116GT	UPDATE KIT STEERING S40/45 <i>must use for first time replacement of hydraulic cylinder number 30585</i>					
--	59076GT	SEAL KIT,2.0" BORE CYLINDERS** <i>for hydraulic cylinder number 59036</i>					
--	59169GT	SEAL KIT,2" BORE,1" ROD*** <i>for hydraulic cylinder number 59297 and 59303</i>					
--	89066GT	SEAL KIT,STEER CYL (89065) <i>for hydraulic cylinder number 89065</i>					
15	25817GT	BEARING,1.00IDX1.25ODX1.00L.....	6				
16	14815GT	PIN,ROLL,SST,.25 X 2.25.....	4				
17	53081GT	PIN,1.50DIAX4.76LG,2HOLE.....	4				
18	119619GT	BEARING,1.5IDX1.75ODX1.5L,PTFE.....	6				
19	32285GT	YOKE ASSY,4WD,L.S.,S40.....	1				
		<i>includes 2 each index numbers 15 and 18</i>					
19	32285-SGT	Yoke Assembly - Left Side.....	1				
		<i>includes 2 each index numbers 15 and 18</i>					
20	8220GT	SCREW,HHC,1/2-13 X 4.....	4				
21	6086GT	NUT,LP NYLOCK,1/2-13.....	4				
22	30190GT	PIN,1.25DIAX7.25LG,1HOLE.....	2				
23	6708GT	SCREW,HHC,3/8-16 X 2.25.....	2				
24	4828GT	NUT,NYLOCK,3/8-16.....	2				
25	45074GT	WASHER,THRUST,1.5 X 3.5 X .187.....	2				
26	36603GT	WASHER,FLAT,1.56 X 3.5 X .061.....	4				
27	32651-SGT	Steer Axle Assembly.....	1				
		<i>includes 2 each index numbers 15 and 18</i>					

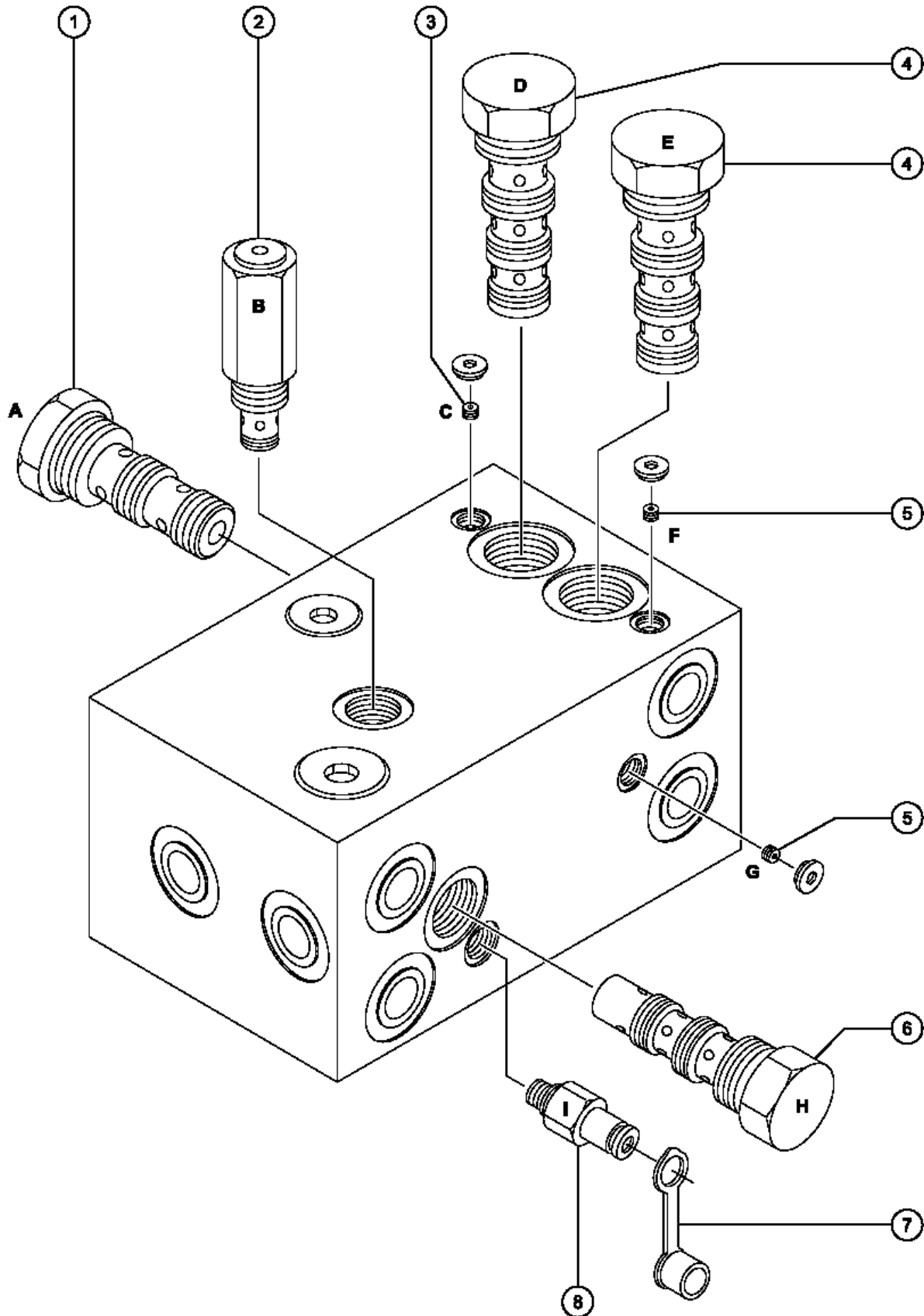
302.1 4WD Steer Axle - Wheels and Hubs



302.1 4WD Steer Axle - Wheels and Hubs

Item	Part No.	Description	Qty.	Item	Part No.	Description	Qty.
--	53386GT	GUARD, HOSE PROTECTOR.....	2	12	8177GT	SCREW,HHC,1/2-13 X 1.5.....	4
--	53387GT	GUARD, HOSE PROTECTOR.....	2	13	13066GT	WASHER,FLAT,.5 HARDENED.....	4
1	6090GT	SCREW,HHC,1/4-20 X .75.....	4	14	45495GT	SCREW,SHC,5/8-11 X 3.00,A574.....	12
2	6356GT	WASHER,LOCK,.25.....	4			to SN 5369	
3	6638GT	WASHER,FLAT,USS,1/4"Y.....	4	--	73455GT	SCREW,HHC,5/8-11 X 2.25 GR8.....	12
4	32676GT	COVR W/DECLS,DR.CHAS.STR.END....	1			from SN 5370	
		to SN 2872		15	42191GT	WASHER,FLAT,.640X1.160X.09.....	12
--	102278GT	CVR ASSY W/DECALS,DRV CHASS		16	8255GT	SCREW,HHC,3/8-16 X .75.....	4
		ST.....	1	17	6021GT	WASHER,LOCK,.375.....	4
		from SN 2873		18	122281PGT	HOSE HANGER,DRIVE	
5	56912GT	SPRING				CHASSIS,PTD.....	2
		CLIP,1/4-20,.025-.15X.54,ZAG.....	4	19	36858GT	CLAMP PAIR,DUAL HOSE.....	2
6		Ref. Tire & Wheel assemblies (refer to		20	36859GT	TOP PLATE,CLAMP.....	2
		304.1)		21	45454GT	CLAMP,RUB CUSH,0.75,#12 X 3/8*.....	2
6	122348GT	WHEEL, 16.5 X 9.75 S40.....	2	22	18505GT	5/16-18 X 2.25 LG.FLG.LCK.SCRW.....	2
7	54627GT	NUT,LUG,5/8-18 X 90 DEGREE,Z45.....	18	23	6002GT	NUT,LP NYLOCK,5/16-18.....	2
8		Ref. Tire & Wheel assemblies (refer to					
		304.1)					
8	33412GT	TIRE,12X16.5,8 PLY,SGL.....	2				
--	1271437GT	TIRE,12-16.5/10PR S40 HAULER.....	2				
9	45553GT	TORQUE HUB SERIES 1-18.25:1.....	2				
--	1286606GT	SEAL KIT,TORQUE HUB (20193)					
		for 45553					
--	21142GT	SEAL KIT (W1B) TORQUE HUBS					
		for 45553 (inventory limited to stock on					
		hand as component is no longer available)					
--	21143GT	BEARING KIT (45553) TORQUE HUB....	2				
		for 45553					
--	21144GT	CAP,DISENGAGE-45553 TORQUE					
		HUB.....	2				
		for 45553					
--	21145GT	DISCONNECT ROD-45553 TQ.HUB.....	2				
		for 45553					
--	21146GT	COVER CAP,TORQUE HUB***.....	2				
		for 45553					
--	21148GT	WASHER,THRUST,TORQUE HUB.....	2				
		for 45553					
--	21149GT	LUG,WHEEL STUD,5/8-18,W1/4HB**.....	2				
		for 45553					
--	37097GT	O-RING, TORQUE HUB.....	2				
		included in Seal Kit part number 21142					
--	58438GT	KIT,COVER,TORQUE HUB,45553***.....	2				
		for 45553					
--	58448GT	KIT,TORQUE HUB COVER (45553)**.....	2				
		for 45553					
10	52087GT	O-RING,2-044 BUNA***.....	2				
11	33432GT	MOTOR,HYD,25CC FIXED***.....	2				
		includes index number 10					
--	32675GT	SEAL KIT,SUNSTRAND.....	2				

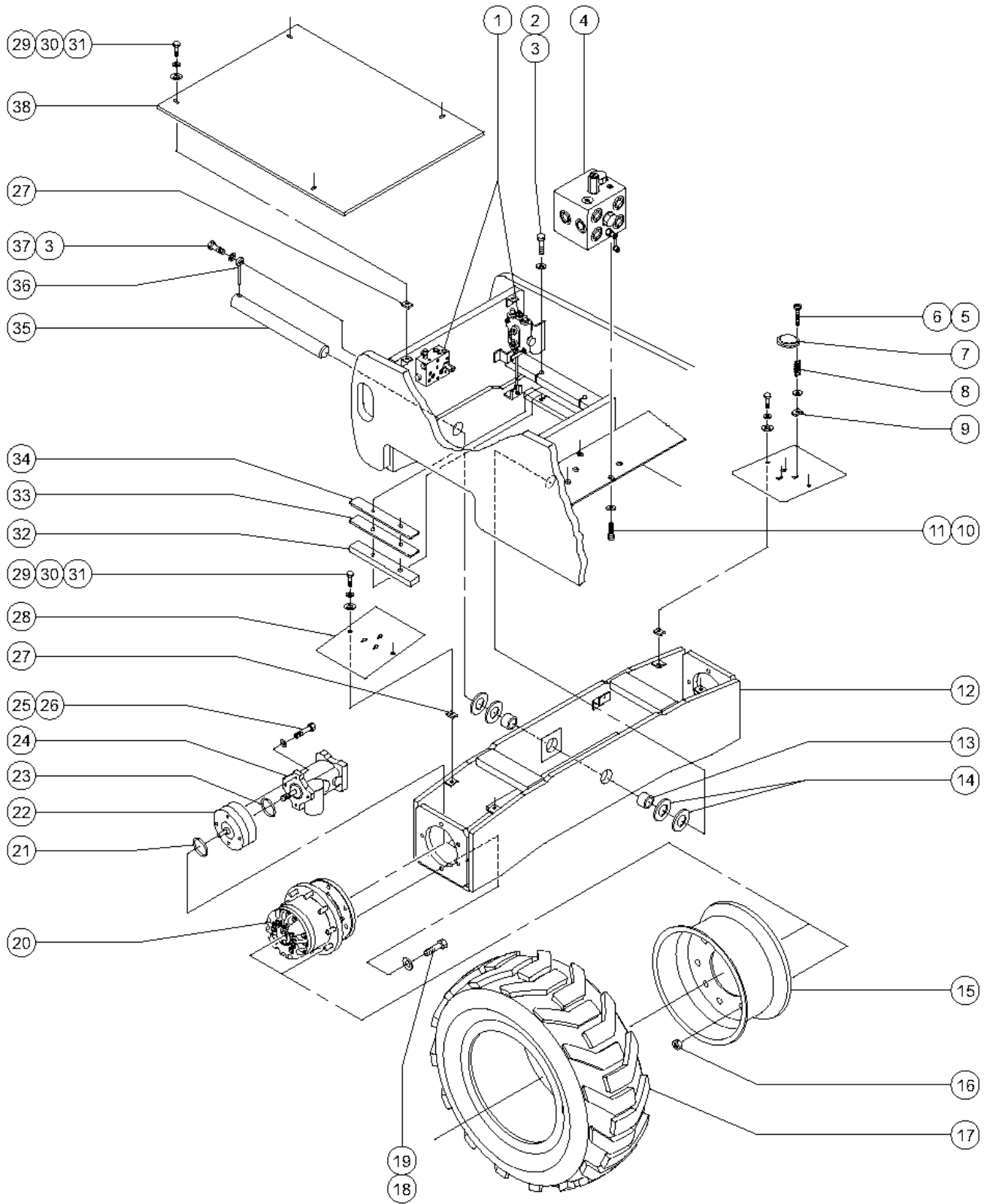
303.1 4WD Drive Manifold



303.1 4WD Drive Manifold

Item	Part No.	Description	Qty.
A		Flow Divider/Combiner Valve <i>Controls Flow to Flow Divider/Combiners, items D and E</i>	
B		Relief Valve <i>Charge Pressure Circuit</i>	
C		Orifice Plug <i>Front Drive Motor Circuit</i>	
D		Flow Divider/Combiner Valve <i>Controls Flow to Steer End Drive Motors in Forward/Reverse</i>	
E		Flow Divider/Combiner Valve <i>Controls Flow to Non-steer End Drive Motors in Forward/Reverse</i>	
F		Orifice Plug <i>Rear Drive Motor Circuit</i>	
G		Orifice Plug <i>Equalizes Pressure on both sides of Flow Divider/Combiner Valve, item A</i>	
H		Shuttle Valve,3 position 3 way <i>Charge Pressure, Hot Oil Shuttle</i>	
I		Diagnostic fitting <i>Testing</i>	
--	28750GT	O-RING KIT,FIELD SVC,ALL PROD*	
--	33994GT	PLUG AND CAP KIT-SERVICE,37 **	
--	34447GT	MANIFOLD,TRACTN,4WD,(S)SERIES* <i>includes index numbers 1 through 6</i>	
--	49612GT	O-RING KIT (ORFS FITTINGS)	
--	49613GT	PLUG AND CAP KIT-SERVICE,ORFS*	
1	33521GT	VALVE,FLOW DIVIDER/COMBINER.....1	
2	31406GT	VALVE,RELIEF 250 PSI***1	
3	29737GT	PLUG,ORIFICE,0.052 INCH.....1	
4	52726GT	VALVE,FLOW DIVIDER/COMBINER.....2	
5	33520GT	PLUG,ORIFICE,0.070.....2	
6	27761GT	VALVE,SHUTTLE.....1	
7	48880GT	CAP,DIAGNOSTIC NIPPLE.....1	
8	20224GT	DIAGNOSTIC FEMALE Q-DSCNT.....1	
8	48997GT	NIPPLE,DIAGNOSTIC,#4.....1	

304.1 4WD Non-steer Axle



304.1 4WD Non-steer Axle

Item	Part No.	Description	Qty.	Item	Part No.	Description	Qty.
1		Ref. Oscillation Manifold and Control Valve (refer to Figure 305.1)		17C	73205GT	TIRE & WHEEL ASSY,LH RT, Non-marking, Air-filled, left (includes item 15) (9 hole)	
2	6096GT	SCREW,HHC,1/2-13 X 2 GR5.....	4	--	73212GT	TIRE,12-16.5, 12PR,NON-MARKING for 73204, 73205	
3	6021GT	WASHER,LOCK, .375.....	5	17D	102802GT	S40 NM RT TIRE,RH RT, Foam-filled, Non-marking, right (9 hole)	
4	34447GT	MANIFOLD,TRACTN,4WD,(S)SERIES*..	1	17D	102803GT	S40 NM RT TIRE,LH RT, Foam-filled, Non-marking, left (9 hole)	
5	73634GT	SCREW,PHIL,PHM,10-24X1.5 ZINC.....	3	17E	73923GT	TIRE & WHEEL ASSY.,FLOTATION Flotation, Air-filled (includes item 15) (9 hole)	
6	6146GT	WASHER,FLAT,MS,#10,Y.....	3	--	73925GT	TIRE,33/16LL500,10PLY LITEFOOT for 73923	
7	77026GT	LEVEL,BUBBLE,2 DEGREE *.....	1	17F	73490GT	TIRE & WHEEL ASSY.-RH Flotation, Foam-filled, right (9 hole)	
8	77027GT	SPRING,1X.31 ODX.040WIRE,SS.....	3	17F	73491GT	TIRE & WHEEL ASSY.-LH Flotation, Foam-filled, left (9 hole)	
9	73575GT	SPRING CLIP,10-24, .025-.125X.468,ZAG.....	3	18	45495GT	SCREW,SHC,5/8-11 X 3.00,A574.....	12
10	8177GT	SCREW,HHC,1/2-13 X 1.5.....	2	--	13004GT	SCREW,HHC,5/8-11 X 3 GRD.8.....	12
11	6033GT	WASHER,LOCK,0.5".....	2	19	56911GT	WASHER,FLAT,688X1.160X.09.....	12
12	32653GT	NON-STEER AXLE ASSY,S40.....	1	20	20193GT	TORQUE HUB,35:1***.....	2
13	18396GT	BEARING,1.5IDX1.75ODX1.0L.....	2	--	1286606GT	SEAL KIT,TORQUE HUB (20193) for 20193	
14	36603GT	WASHER,FLAT,1.56 X 3.5 X .061.....	4	--	1286607GT	BEARING KIT,TORQUE HUB (20193) for 20193	
15A	122348GT	WHEEL, 16.5 X 9.75 S40.....	2	--	21142GT	SEAL KIT (W1B) TORQUE HUBS for 20193 (inventory limited to stock on hand as component is no longer available)	
15B	73924GT	WHEEL, 19.5X14.00 for Flotation tires (9 hole)		--	21143GT	BEARING KIT (45553) TORQUE HUB for 20193 (inventory limited to stock on hand as component is no longer available)	
16	54627GT	NUT,LUG,5/8-18 X 90 DEGREE,Z45.....	18	--	21144GT	CAP,DISENGAGE-45553 TORQUE HUB.....	2
17A	1271438GT	TIRE/WHEEL ASSY,LH,12-16.5/10PR,AIR.....	1	--	21145GT	DISCONNECT ROD-45553 TQ.HUB.....	2
17A	1271439GT	TIRE/WHEEL ASSY,RH,12-16.5/10PR,AIR.....	1	--	21146GT	COVER CAP,TORQUE HUB***.....	2
--	122348GT	WHEEL, 16.5 X 9.75 S40 for 1271439, 1271438		--	21148GT	WASHER,THRUST,TORQUE HUB.....	2
--	1271437GT	TIRE,12-16.5/10PR S40 HAULER for 1271439, 1271438		--	21149GT	LUG,WHEEL STUD,5/8-18,W1/4HB**.....	2
17B	1271440GT	TIRE/WHEEL ASSY,LH,12-16.5/10PR,FOAM.....	2	--	37097GT	O-RING, TORQUE HUB.....	2
17B	1271441GT	TIRE/WHEEL ASSY,RH,12-16.5/10PR,FOAM.....	2	--	58438GT	KIT,COVER,TORQUE HUB,45553***.....	2
17C	111453GT	ASSY,TIRE/WHEEL,RH,RT,NM,W/SEA RT, Non-marking, Air-filled with sealant, right (9 hole)		--	58589GT	THRUST CAP (20193)	
17C	111454GT	ASSY,TIRE/WHEEL,LH,RT,NM,W/SEA RT, Non-marking, Air-filled with sealant, left (9 hole)		21	52087GT	O-RING,2-044 BUNA***.....	2
17C	73204GT	TIRE & WHEEL ASSY,RH RT, Non-marking, Air-filled, right (includes item 15) (9 hole)		22	41912GT	BRAKE,MICO,1200 IN/LB***.....	2
				--	41912GT	BRAKE,MICO,1200 IN/LB***.....	2
						includes 1 each of index number 21; to SN 5456	
						includes 1 each of index number 21; from SN 5457	

304.1 4WD Non-steer Axle (continued)

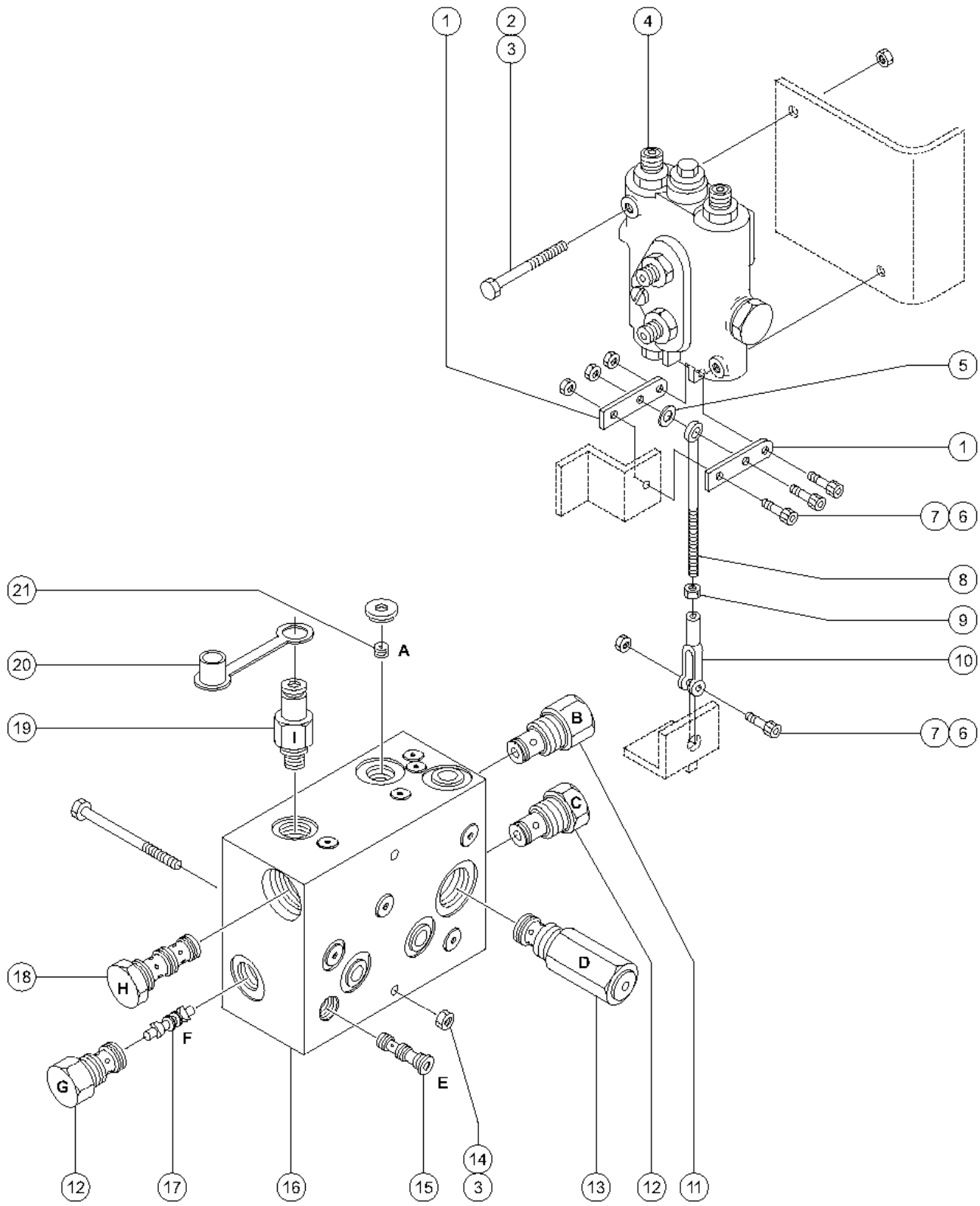
Item	Part No.	Description	Qty.
--	41918GT	LINING KIT,MICO BRAKE.....	2
--	41922GT	BEARING KIT,BRAKE,MICO.....	2
--	65608GT	BEARING KIT, AUSCO***.....	2
--	72319GT	SPRING (RED) MICO <i>For 41912; 8 required per brake</i>	
--	77239GT	LINING KIT,AUSCO BRAKE***.....	2
--	77240GT	SEAL KIT, AUSCO BRAKE***.....	2
23	22811GT	O-RING,MOTOR TO BRAKE***..... <i>measures approx 4" x 0.10"</i>	2
24	41398GT	MOTOR,HYDRAULIC,AXIAL PORTS***..... <i>includes 1 each index number 23</i>	2
--	32680GT	SEAL KIT,SUNSTRAND.....	2
25	7261GT	SCREW,HHC,1/2-13 X 5 BLACK..... <i>to SN 5369</i>	8
--	73858GT	SCREW,SHC,1/2-13X5.0 GR 5 ZINC..... <i>from SN 5370</i>	8
26	13066GT	WASHER,FLAT,.5 HARDENED.....	8
27	56912GT	SPRING CLIP,1/4-20,.025-.15X.54,ZAG.....	8
28	30802P-SGT	COVER,NON-STEER AXLE "BLUE".....	2
29	6090GT	SCREW,HHC,1/4-20 X .75.....	8
30	6356GT	WASHER,LOCK,.25.....	8
31	6638GT	WASHER,FLAT,USS,1/4"Y.....	8
32	30690GT	BAR,AXLE ROTATION STOP,OSC. **..... <i>oscillating models</i>	2
--	30691GT	BAR,AXLE ROTATION STOP,NON-OSC..... <i>non-oscillating models</i>	2
33	30808GT	SHIM,AXLE ROTATION STOP..... 1	2
34	30809GT	SHIM,AXLE ROTATION STOP,22 GA..... 1	2
35	30735GT	PIN, 1.50DIA X 17.50LG, CHAMFER.....	1
36	825019GT	ROD END,.375X3.69,ZAG.....	1
37	6175GT	SCREW,HHC,3/8-16 X 1.....	1
38	32682GT	COVR W/DECL,DR.CHAS.NONSTEER..... <i>to SN 2872</i>	1
--	89803GT	COVER, CHASSIS ASSY W/DECALS.... <i>from SN 2873</i>	1

Footnotes

1: Quantity listed for this item is approximate.
Actual quantity may vary to ensure proper fit.

This Page Intentionally Left Blank

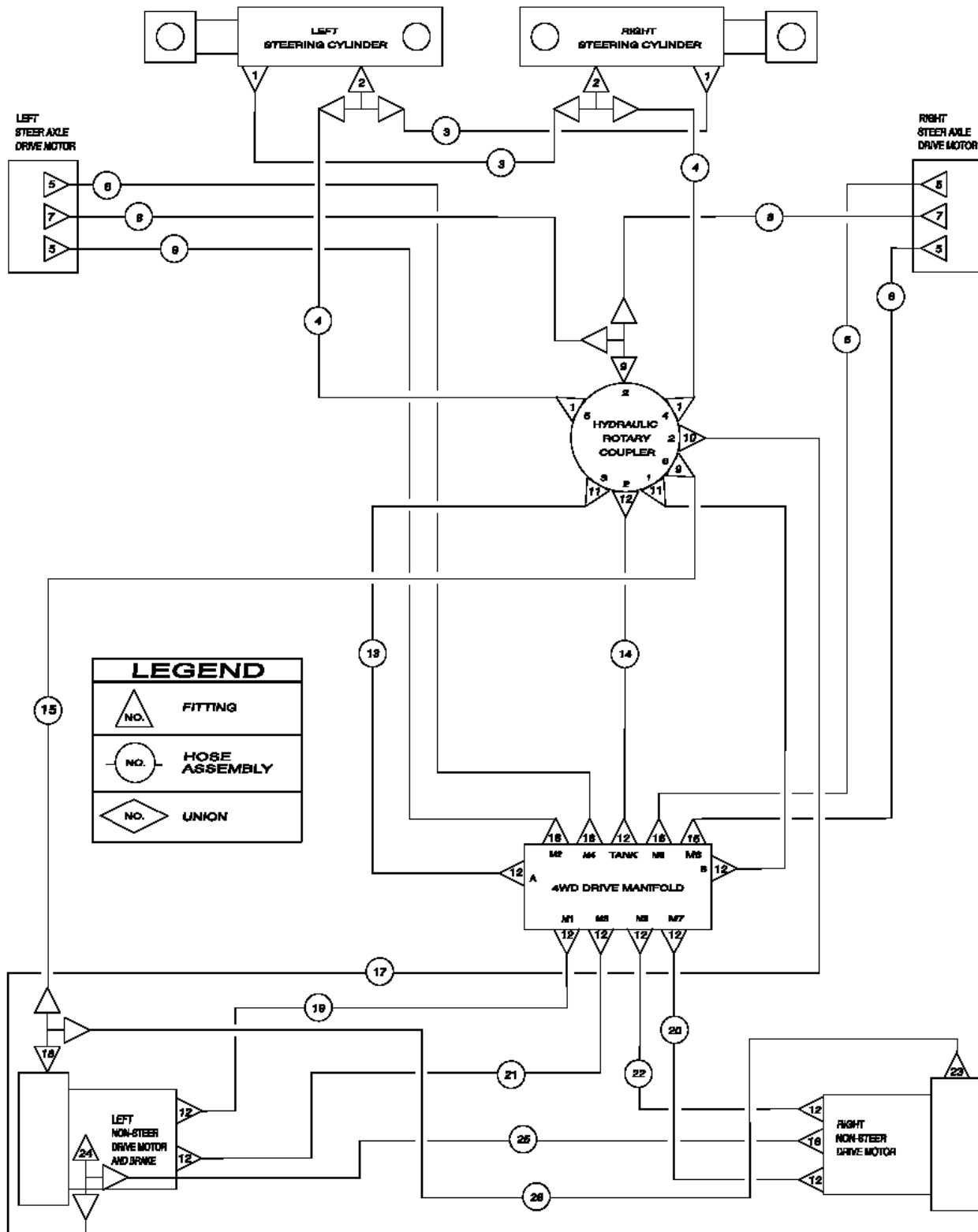
305.1 4WD Oscillation Manifold and Control Valve



305.1 4WD Oscillation Manifold and Control Valve

Item	Part No.	Description	Qty.	Item	Part No.	Description	Qty.
A		Orifice Plug <i>Differential Sensing Circuit</i>		20	48880GT	CAP,DIAGNOSTIC NIPPLE.....	1
B		Differential Sensing Valve <i>Differential Sensing</i>		21	29737GT	PLUG,ORIFICE,0.052 INCH.....	1
C		Check Valve <i>Oscillate, Left</i>					
D		Valve, Unloader Pilot Operated <i>Sequencing</i>					
E		Shuttle Valve, 2 position 3 way <i>Pilot</i>					
F		Piston <i>Check Valve Circuit.</i>					
G		Check Valve <i>Oscillate, Right</i>					
H		Shuttle Valve, 2 position 3 way <i>Unloading</i>					
I		Diagnostic Fitting <i>Testing</i>					
--	28750GT	O-RING KIT,FIELD SVC,ALL PROD*					
--	33994GT	PLUG AND CAP KIT-SERVICE,37 **					
--	49612GT	O-RING KIT (ORFS FITTINGS)					
--	49613GT	PLUG AND CAP KIT-SERVICE,ORFS*					
1	30884GT	OSCILLATE VALVE LINKAGE.....	2				
2	4266GT	SCREW,HHC,1/4-20 X 2.....	2				
3	6091GT	NUT,NYLOCK,1/4-20.....	4				
4	30558GT	VLV,MAN,3 POS/4 WAY,OPEN CTR.....	1				
--	32681GT	SEAL KIT,CONTROL VALVE.....	1				
5	20980GT	WASHER,NYLON,.434 X.263X.049.....	1				
6	6584GT	SCREW,SHS,10-24 X .625.....	4				
7	5365GT	NUT,NYLOCK,10-24.....	4				
8	30885GT	LINKAGE ROD.....	1				
9	21496GT	NUT,HEX,1/4-28.....	1				
10	21130GT	CLEVIS YOKE-1/4-28,PLTD W/PIN..... <i>includes clevis pin and cotter pin</i>	1				
11	27532GT	VALVE,DIFFERENTIAL SENSING.....	1				
12	32725GT	VALVE,CHECK (30797).....	2				
13	37050GT	VALVE,UNLOADER,P.O.....	1				
14	11413GT	SCREW,HHC,1/4-20 X 4.....	2				
15	45483GT	VALVE,SHUTTLE***.....	1				
16	30797GT	MANIFOLD,OSCILLATION..... <i>includes index numbers 11 through 13, 15, 17, 18 and 21</i>	1				
--	25375GT	KIT, O-RING.....	1				
17	32724GT	PISTON (30797).....	1				
18	32723GT	VALVE,SHUTTLE (30797).....	1				
19	48997GT	NIPPLE,DIAGNOSTIC,#4.....	1				
--	20224GT	DIAGNOSTIC FEMALE Q-DSCNT.....	1				

306.1 4WD Hydraulic Hoses and Fittings - Drive and Steer Systems



306.1 4WD Hydraulic Hoses and Fittings - Drive and Steer Systems

Item	Part No.	Description	Qty.	Item	Part No.	Description	Qty.
--	28750GT	O-RING KIT,FIELD SVC,ALL PROD*		26	49119-6078GT	HOSE ASSY,1/4,STR FEM,STR FEM.....1	
--	33994GT	PLUG AND CAP KIT-SERVICE,37 **				11	
--	49612GT	O-RING KIT (ORFS FITTINGS)					
--	49613GT	PLUG AND CAP KIT-SERVICE,ORFS*					
1	48915GT	ELBOW,90D,520220-6.....	4				
2	48919GT	TEE,BRANCH,520429-6.....	2				
3	49130-2332GT	HOSE ASSEMBLY, 3/8".....	2				
		1					
4	49128-5909GT	HOSE ASSEMBLY,3/8".....	2				
		2					
5	48948GT	CONN,520120-8-12.....	4				
6	49107-10213SGT	Hose Assembly - Components: @ 100 inches (253 cm).....	4				
		3					
7	48937GT	ELBOW,45D,520320-8.....	2				
8	49141-7813SGT	Hose Assembly - Components: @ 76 inches (192 cm).....	2				
		4					
9	48935GT	TEE,RUN,520428-8.....	2				
10	48911GT	ELBOW,90D,520220-4-6***.....	1				
11	48963GT	FITTING,ELBOW,45D,520320-12***.....	2				
12	48960GT	FITTING,CONN,520120-12***.....	12				
13	49156-2606GT	HOSE ASSY,3/4,90 FEM,STR FEM.....	1				
		5					
14	49149-1826GT	HOSE ASSY,3/4,45 FEM,STR FEM.....	1				
		6					
15	49172-7388GT	HOSE ASSEMBLY,1/2".....	1				
		7					
16	48946GT	CONN,520120-8-10.....	5				
17	49117-7641GT	HOSE ASSY,1/4,90 FEM,STR FEM.....	1				
		8					
18	48953GT	TEE,RUN,520428-10.....	1				
19	49157-4335GT	HOSE ASSEMBLY,3/4".....	1				
		9					
20	89871-3848GT	HOSE ASSEMBLY,3/4" STR-STR***.....	1				
		9					
21	89871-3948GT	HOSE ASSEMBLY,3/4" STR-STR.....	1				
		9					
22	89871-3348GT	HOSE ASSEMBLY,3/4" STR-STR.....	1				
		9					
23	48904GT	ELBOW,90D,520220-4-4.....	1				
24	48906GT	TEE,RUN,520428-4.....	1				
25	49139-4518GT	HOSE ASSEMBLY,1/2".....	1				
		10					

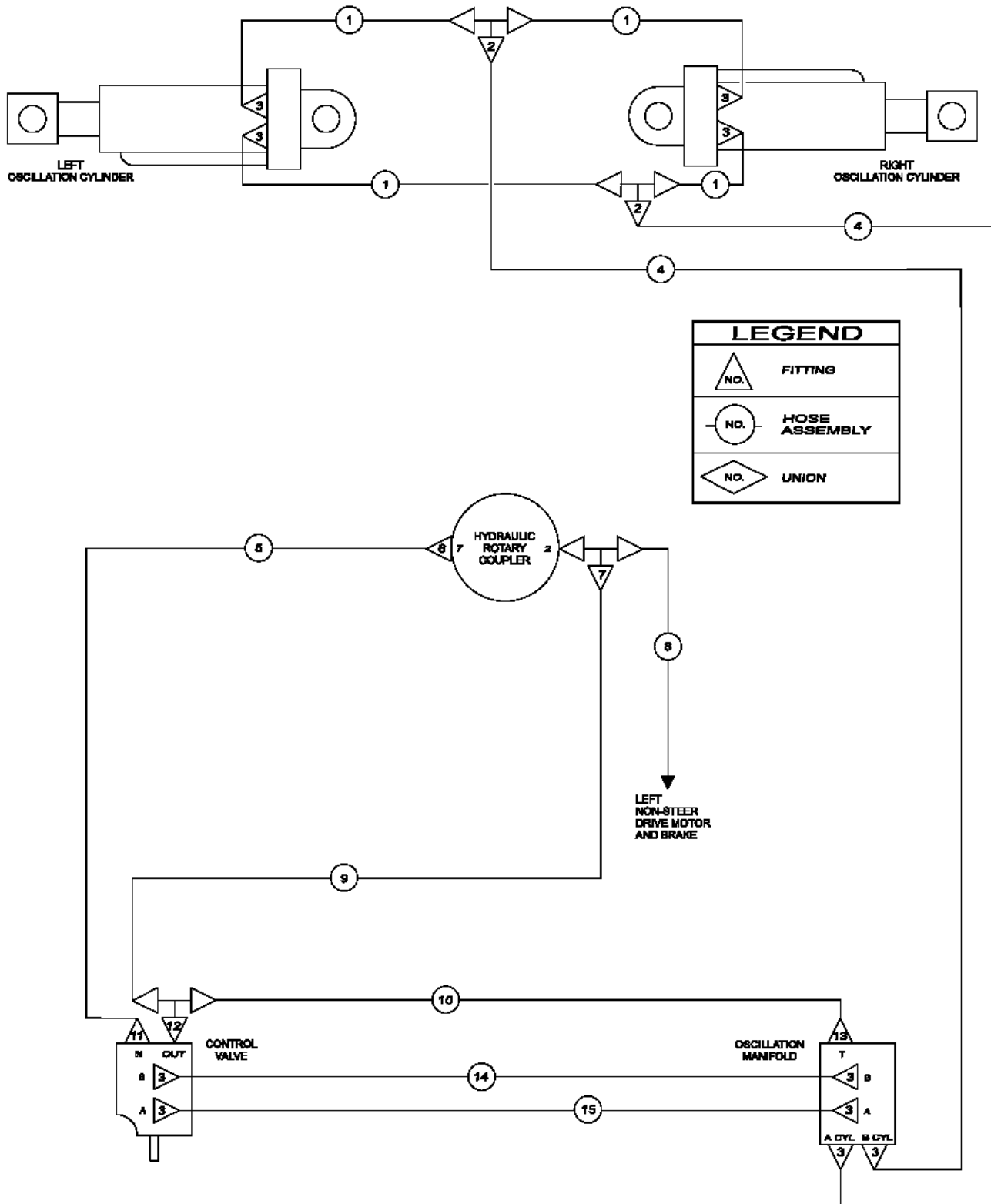
306.1 4WD Hydraulic Hoses and Fittings - Drive and Steer Systems
(continued)

Item	Part No.	Description	Qty.	Item	Part No.	Description	Qty.
------	----------	-------------	------	------	----------	-------------	------

306.1 4WD Hydraulic Hoses and Fittings - Drive and Steer Systems

Item	Part No.	Description	Qty.	Item	Part No.	Description	Qty.
Footnotes							
		1: Hose End - Female, Swivel, ORFS (Parker No. 1JC43-6), Hose End - Female, Swivel, ORFS (Parker No. 1JC43-6) and Hose, 3/8 inch (Parker No. 451TC-6)		11: Hose End - Female, Swivel, ORFS (Parker No. 1JC43-4), Hose End - Female, Swivel, ORFS (Parker No. 1JC43-4) and Hose, 1/4 inch (Parker No. 451TC-4)			
		2: Hose End - Female, Swivel, ORFS (Parker No. 1JC43-6), Hose End - Female, Swivel, 90°, ORFS (Parker No. 1J943-6) and Hose, 3/8 inch (Parker No. 451TC-6)					
		3: Hose End - Female, Swivel, ORFS (Parker No. 1JC43-8), Hose End - Female, Swivel, 45°, ORFS (Parker No. 1J743-8) and Hose, 1/2 inch (Parker No. 381-8)					
		4: Hose End - Female, Swivel, ORFS (Parker No. 1JC43-8), Hose End - Female, Swivel, 45°, ORFS (Parker No. 1J743-8) and Hose, 1/2 inch (Parker No. 451TC-8)					
		5: Hose End - Female, Swivel, ORFS (Parker No. 1JC71-12), Hose End - Female, Swivel, 90°, ORFS (Parker No. 1J971-12) and Hose, 3/4 inch (Parker No. 772-12)					
		6: Hose End - Female, Swivel, ORFS (Parker No. 1JC43-12), Hose End - Female, Swivel, 45°, ORFS (Parker No. 1J743-12) and Hose, 3/4 inch (Parker No. 481-12)					
		7: Hose End - Female, Swivel, 90°, ORFS (Parker No. 1J943-8), Hose End - Female, Swivel, ORFS (Parker No. 1JC43-10-8) and Hose, 1/2 inch (Parker No. 451TC-8)					
		8: Hose End - Female, Swivel, ORFS (Parker No. 1JC43-4), Hose End - Female, Swivel, 90°, ORFS (Parker No. 1J943-4) and Hose, 1/4 inch (Parker No. 451TC-4)					
		9: Hose End - Female, Swivel, ORFS (Parker No. 1JC71-12), Hose End - Female, Swivel, ORFS (Parker No. 1JC71-12) and Hose, 3/4 inch (Parker No. 772-12)					
		10: Hose End - Female, Swivel, ORFS (Parker No. 1JC43-8), Hose End - Female, Swivel, Straight, ORFS (Parker No. 1J743-10-8) and Hose, 1/2 inch (Parker No. 451TC-8)					

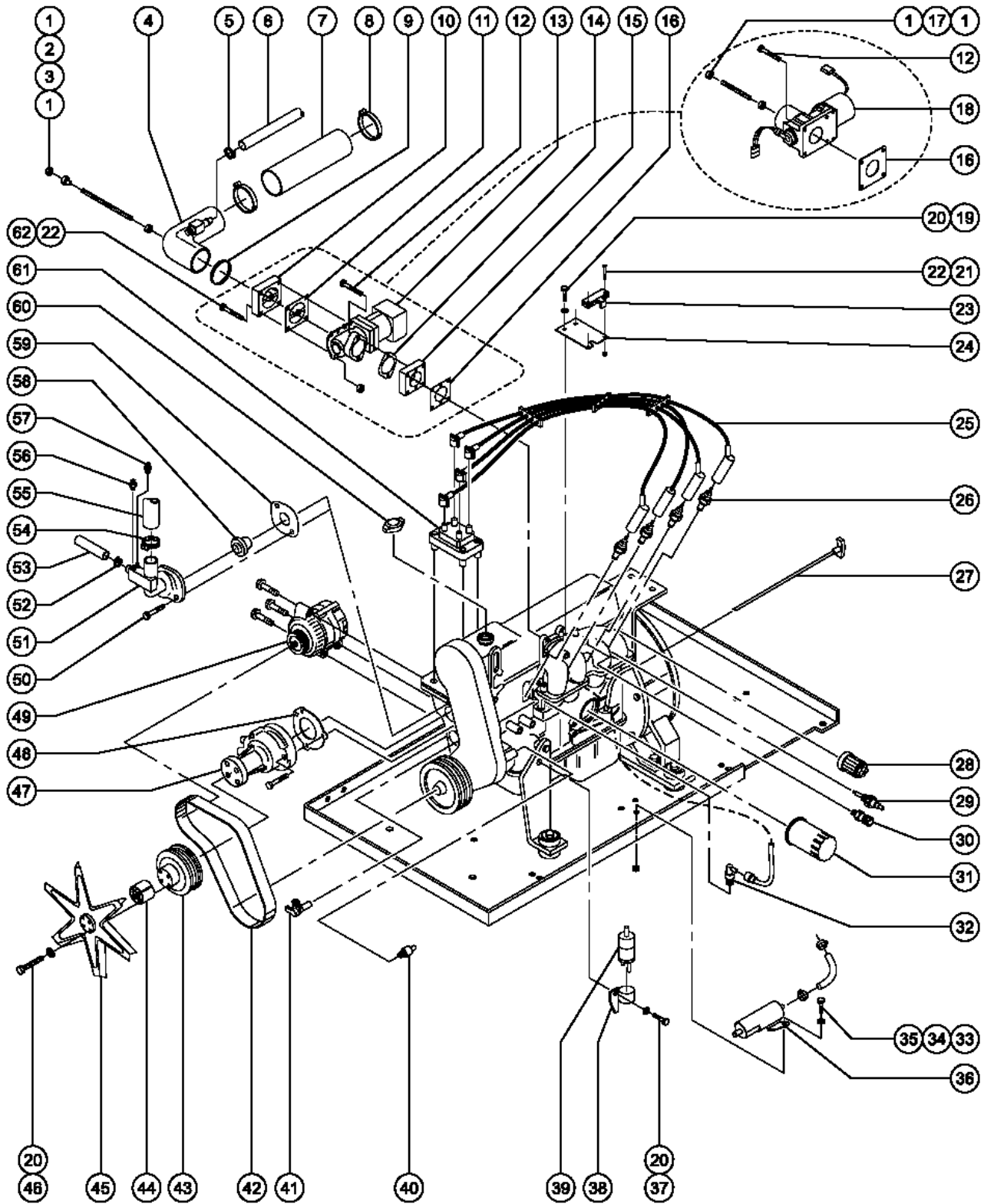
307.1 4WD Hydraulic Hoses and Fittings - Oscillation System



307.1 4WD Hydraulic Hoses and Fittings - Oscillation System

Item	Part No.	Description	Qty.	Item	Part No.	Description	Qty.
--	28750GT	O-RING KIT,FIELD SVC,ALL PROD*		Footnotes			
--	33994GT	PLUG AND CAP KIT-SERVICE,37 **		1:		Hose End - Female, Swivel, ORFS (Parker No. 1JC43-6), Hose End - Female, Swivel, ORFS (Parker No. 1JC43-6) and Hose, 3/8 inch (Parker No. 451TC-6)	
--	49612GT	O-RING KIT (ORFS FITTINGS)		2:		Hose End - Female, Swivel, ORFS (Parker No. 1JC43-6), Hose End - Female, Swivel, 90°, ORFS (Parker No. 1J943-6) and Hose, 3/8 inch (Parker No. 381-6)	
--	49613GT	PLUG AND CAP KIT-SERVICE,ORFS*		3:		Hose End - Female, Swivel, ORFS (Parker No. 1JC43-6), Hose End - Female, Swivel, 90°, Med., ORFS (Parker No. 1J543-6) and Hose, 3/8 inch (Parker No. 451TC-6)	
1	49130-2357GT	HOSE ASSEMBLY,3/8".....	4	4:		Hose End - Female, Swivel, ORFS (Parker No. 1JC43-4), Hose End - Female, Swivel, 90°, ORFS (Parker No. 1J943-4) and Hose, 1/4 inch (Parker No. 451TC-4)	
		1		5:		Hose End - Female, Swivel, ORFS (Parker No. 1JC43-8), Hose End - Female, Swivel, 45°, Long, ORFS (Parker No.1J743-8) and Hose, 1/2 inch (Parker No. 451TC-8)	
2	48896GT	CONN,TEE,UNION,520401-6,ORFS.....	2	6:		Hose End - Female, Swivel, ORFS (Parker No. 1JC43-8), Hose End - Female, Swivel, 90°, ORFS (Parker No. 1J943-8) and Hose, 1/2 inch (Parker No. 451TC-8)	
3	48916GT	FITTING,CONN,520120-6.....	10	7:		Hose End - Female, Swivel, ORFS (Parker No. 1JC43-6), Hose End - Female, Swivel, 90°, Long, ORFS (Parker No. 1J143-6) and Hose, 3/8 inch (Parker No. 451TC-6)	
4	49104-10809GT	HOSE ASSEMBLY,3/8".....	2	8:		Hose End - Female, Swivel, ORFS (Parker No. 1JC43-6), Hose End - Female, Swivel, 90°, ORFS (Parker No. 1J943-6) and Hose, 3/8 inch (Parker No. 451TC-6)	
		2					
5	49125-5970GT	HOSE ASSEMBLY,3/8".....	1				
		3					
6	48915GT	ELBOW,90D,520220-6.....	1				
7	48935GT	TEE,RUN,520428-8.....	1				
8	49117-7641GT	HOSE ASSY,1/4,90 FEM,STR FEM.....	1				
		4					
9	49141-6063SGT	Hose Assembly - Components: @ 58 inches (147 cm).....	1				
		5					
10	49143-1204SGT	Hose Assembly - Components: @ 10 inches (25 cm).....	1				
		6					
11	48930GT	FITTING,CONN,520120-6-8***.....	1				
12	48936GT	TEE,BRANCH,520429-8.....	1				
13	48943GT	FITTING,CONN,520120-8-6.....	1				
14	49124-1453SGT	Hose Assembly - Components: @ 12 inches (31 cm).....	1				
		7					
15	49128-1109SGT	Hose Assembly - Components: @ 9 inches (23 cm).....	1				
		8					

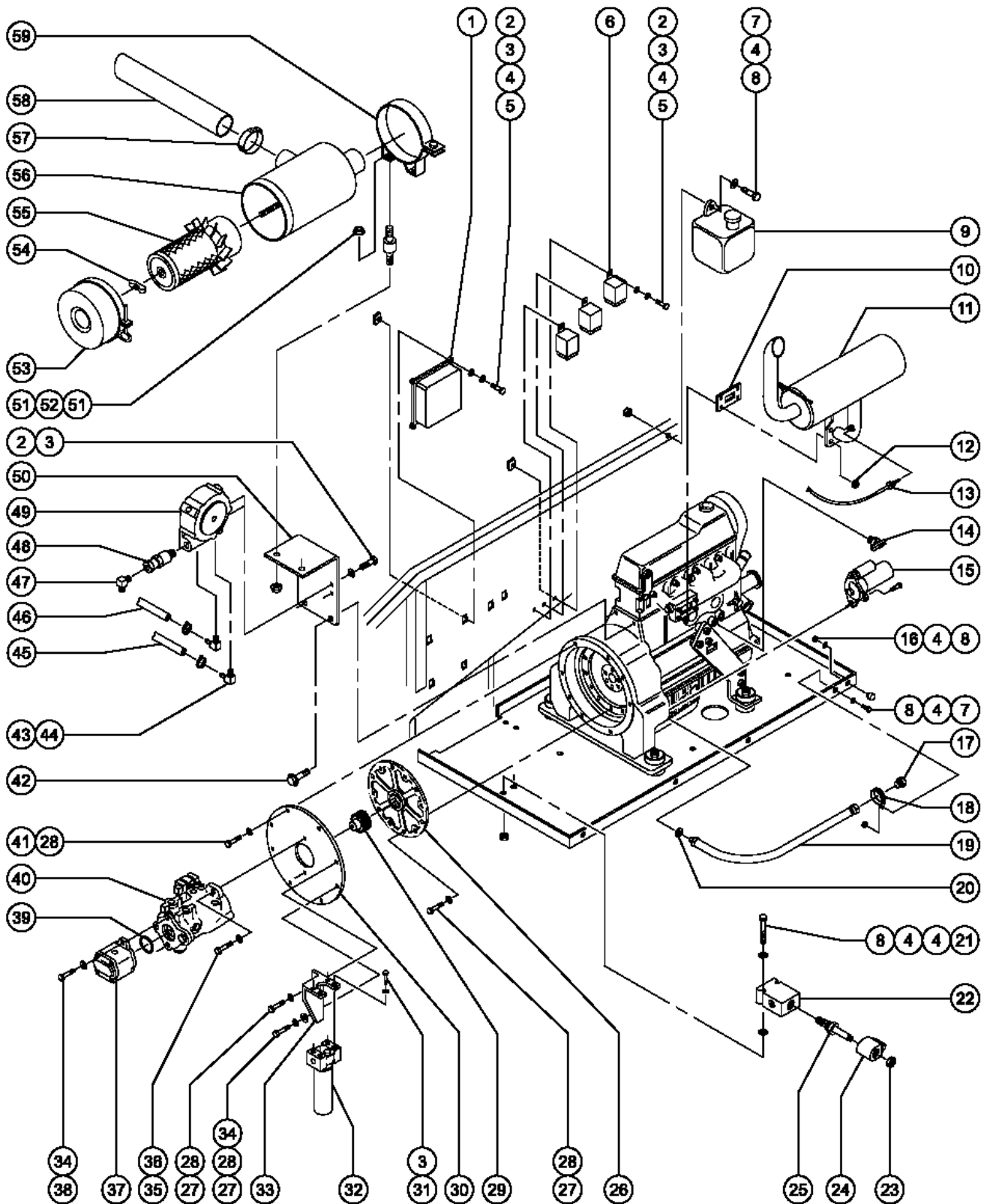
401.1 Ford LRG-425 EFI Engine - View 1



401.1 Ford LRG-425 EFI Engine - View 1

Item	Part No.	Description	Qty.	Item	Part No.	Description	Qty.
--	49735GT	ENGINE,FORD LRG 425,EFIZ45 (remanufactured long block only, does not include starter, alternator, radiator or fuel system)		30	52652GT	SENSOR,AIR TEMP,LRG-425 EFI***.....1	1
--	65770GT	BELT,TIMING,FORD LRG423/425EFI.....1		31	28656GT	FILTER,OIL,FORD.....1 <i>Genie genuine part</i>	1
1	6889GT	NUT,LP NYLOCK,1/4-20.....2		--	1259054GT	FILTER, OIL, FORD <i>Genie aftermarket</i>	
2	27010GT	VALVE,LOCK OFF,BEAM #FL-418.....1		32	33957GT	VALVE,PCV-FORD LRG***.....1	1
3	27507GT	THREADED ROD,1/4-20,4.5".....1 <i>to SN 3661</i>		33	8915GT	SCREW,HHC,1/4-20 X 1.25.....3	3
4	24552GT	VENTURI,BEAM (FORD) ***.....1		34	6638GT	WASHER,FLAT,USS,1/4"Y.....3	3
5	46131GT	CLAMP,HOSE,.63.....2		35	6091GT	NUT,NYLOCK,1/4-20.....3	3
6	53832GT	HOSE,FIRE RES.,5/8 ID,BULK		36A	81941GT	FUEL PUMP RELOCATION KIT.....1	1
7	53125GT	HOSE,AIR INTAKE 2.5 ID X 6.5.....1		36B	77219GT	PUMP, FUEL, LRG425, WALBRO.....1	1
8	45435GT	CLAMP,HOSE,2.50"***.....2		37	25929GT	SCREW,HHC,M8 X 30MM,GRD 8.8.....1	1
9	65455GT	GASKET-VENTURI BEAM (FORD).....1		38	65453GT	BRACKET-FUEL FILTER (52567).....1	1
10	48471GT	ADAPTER,LP VENTURI.....1 <i>to SN 3661</i>		39	58967GT	FUEL PRESSURE REG,425EFI***.....1	1
11	48477GT	GASKET,LP ADAPTER.....1 <i>to SN 3661</i>		40	58900GT	SENSOR,CAM,EFI***.....1	1
12	49386GT	SCREW,HHC,M8 X 40.....2 <i>to SN 3661</i>		41	33968GT	SENSOR, CRANK POSITION.....1	1
13	94922GT	KIT,FORD EFI UPDATE,BASE***.....1 <i>to SN 3661</i>		42	52580GT	BELT,SERPENTINE,LRG425 EFI***.....1	1
14	52577GT	GASKET - THROTTLE BODY, 425EFI.....1 <i>to SN 3661</i>		--	65770GT	BELT,TIMING,FORD LRG423/425EFI.....1	1
15	88455GT	ADAPTER,THROTTLE ACTUATOR***.....1 <i>to SN 3661</i>		43	52078GT	PULLEY,FORD ENGINE,LRG-423***.....1	1
16	52579GT	GASKET,ADAPTER PLATE,425EFI***.....1 <i>to SN 3661</i>		44	52077GT	SPACER,FAN TO WATERPUMP LRG423.....1	1
17	27507GT	THREADED ROD,1/4-20,4.5".....1 <i>from SN 3342</i>		45	52076GT	FAN, LSG423/LRG425.....1	1
18		ACTUATOR, FORD EFI PRECISION.....1 <i>from SN 3342; component no longer available</i>		46	32309GT	SCREW,HHC,M8 X 60MM X 1.25.....4	4
19	23057GT	SCREW,HHC,M8 X 20MM.....2		47	33963GT	PUMP, WATER, WITH GASKET.....1 <i>includes index number 48</i>	1
20	49408GT	WASHER,LOCK,M8.....7		48	33964GT	GASKET, WATER PUMP.....1	1
21	49817GT	SCREW,PHILLIPS,PHM,10-32 X1.25.....2		49	33960GT	ALTERNATOR,LRG-423 RE-BUILT*.....1	1
22	6178GT	NUT,NYLOCK,10-32.....6		50	65454GT	BOLT-FLANGE,M6 X 22MM(52573).....2	2
23	49898GT	MAP SENSOR, EFI.....1		51	52573GT	THERMOSTAT HOUSING, LRG425 EFI.....1	1
24	53821PGT	BRACKET,MAP SENSOR,PAINTED.....1		52	36208GT	CLAMP,HOSE,1.25***.....1	1
25	52570GT	SPARK PLUG WIRE SET, LRG425EFI.....1		53	52762GT	HOSE,WATER INLET,LRG425 EFI.....1	1
26	28647GT	SPARK PLUG,FORD.....4		54	22672GT	CLAMP,HOSE,1.75.....1	1
--	52656GT	FUEL INJECTOR, LRG-425 EFI.....4		55	54862GT	HOSE,UPPER RADIATOR,Z45.....1	1
27	52566GT	DIPSTICK, OIL LEVEL,LRG425 EFI.....1		56	33972GT	SENSOR,COOLANT TEMP*.....1	1
28	30810GT	SENDING UNIT,OIL PRESSURE***.....1 <i>dual-terminal sender</i>		57	65456GT	SENDING UNIT-H20TMP LRG425EFI*.....1	1
29	34058GT	SENDING UNIT,TMP,FRD,GM,PRK704.....1		58	33966GT	THERMOSTAT, FORD LRG.....1	1
				59	52575GT	GASKET,THERM.HSNG O-RING.....1	1
				60	49881GT	OIL FILLER CAP FOR LRG ENGINE.....1	1
				61	33970GT	COIL, ELECTRONIC IGN., FORD.....1	1
				62	30469GT	SCREW,FHM,10-32 X 1.5.....4	4

402.1 Ford LRG-425 EFI Engine - View 2



402.1 Ford LRG-425 EFI Engine - View 2

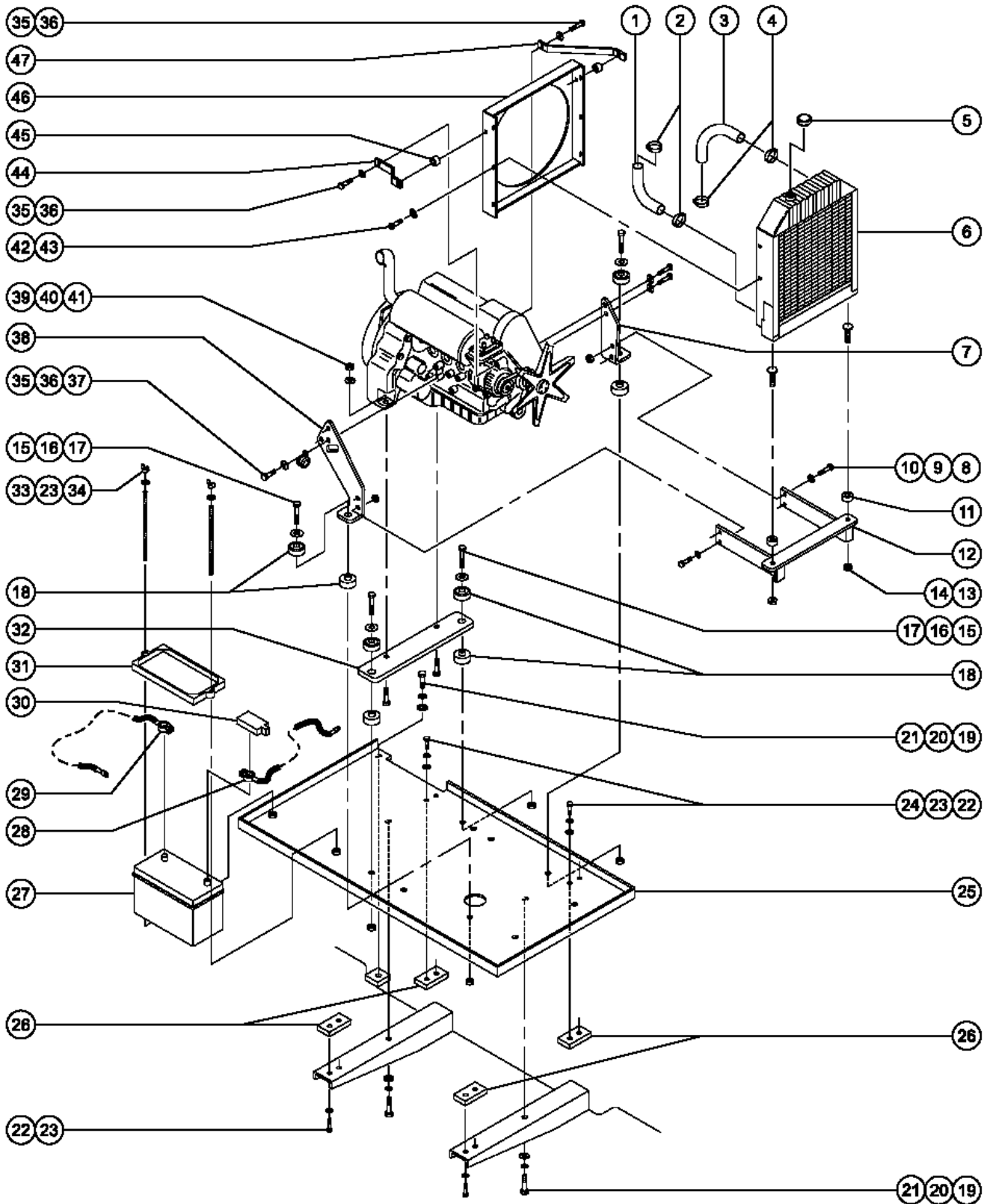
Item	Part No.	Description	Qty.	Item	Part No.	Description	Qty.
--	65770GT	BELT,TIMING,FORD LRG423/425EFI		32		FILTER ASY,M PRESS,SAE8,WOUND* (77139).....1	1
1	88457GT	ENGINE PERFORMANCE MODULE T1**1	1			<i>from SN 6091 (component no longer available)</i>	
2	6888GT	SCREW,HHC,1/4-20 X 1.....9	9	--	20880GT	FILTER ELEMENT-10 MIC.***1	1
3	6356GT	WASHER,LOCK,.25.....13	13			<i>for 20879 (no longer available); to SN 6090</i>	
4	6638GT	WASHER,FLAT,USS,1/4"Y.....14	14	--	60857GT	FILTER,ELEMENT,BETA(5)=1000 for 77139; from SN 6091	
5	56912GT	SPRING CLIP,1/4-20,.025-.15X.54,ZAG.....7	7	32A	1267807GT	ASSY, MED. PRESS. FILTER, SAE8	
6	52592GT	RELAY - LRG425 EFI.....3	3	--	1268229GT	ELEMENT-5 MIC, PAPER, W/BYPASS for 1267807	
7	8915GT	SCREW,HHC,1/4-20 X 1.25.....2	2	33	30230P-SGT	FILTER MOUNT BRACKET.....1	1
8	6091GT	NUT,NYLOCK,1/4-20.....5	5	34	6097GT	WASHER,FLAT,USS,3/8",Y.....3	3
9	1279268GT	BOTTLE, COOLANT RECOVERY, 2QT.....1	1	35	8177GT	SCREW,HHC,1/2-13 X 1.5.....2	2
		<i>includes cap</i>		36	6033GT	WASHER,LOCK,0.5".....2	2
--	72327GT	CAP, COOLANT RET SYS(54071)		37	53961GT	PUMP,LIFT 1.025 C.I.***1	1
10	27142GT	GASKET,EXHAUST***1	1			<i>Models before SN 4123 must order complete assy 53964 for first time replacement of pump.</i>	
11	77885GT	MUFFLER,FORD LRG S40-60-80***1	1	--	53962GT	SEAL KIT,LIFT PUMP (53961)***1	1
12	35818GT	NUT,EXHAUST MANIFOLD-FORD,LRG.....4	4	38	33988GT	SCREW,SHC,3/8-16 X 1.....2	2
13	52564GT	SENSOR,O2,LRG 425 EFI***1	1	39	29436GT	O-RING***1	1
14	28717GT	VALVE,DRAIN,FORD,BLOCK,RAD.....1	1	40	53964GT	PUMP ASSY, M46+1.0 CU IN LIFT*1	1
15	29606GT	RING GEAR,FORD*** FITS LSG-LRG 423, AND LRG425				<i>includes 2 each index number 34 and index numbers 37 through 39; from SN 4123</i>	
15	29616GT	STARTER,ENGINE,FORD LSG/LRG***1	1	--	22965GT	EDC ASSY,SAUER,M46***1	1
16	34619GT	BUMPER,RUBBER***1	1	--	27067GT	SEAL,SHAFT-SUNDSTRAND***1	1
17	63426GT	PLUG,070109-8.....1	1	--	29739GT	SEAL KIT,SAUER-DANFOSS M46***1	1
18	21618GT	CLAMP,1.13,#18 X 1/4,RUB CUSH.....1	1	--	32611GT	SHAFT,M46 15 TOOTH.....1	1
19	63427GT	HOSE ASSY,FORD OIL DRAIN 1/2"		--	46674GT	PUMP,VAR.PISTON M46 2.8 CIQVP*1	1
20	53910GT	GASKET, FORD OIL DRAIN.....1	1	41	6175GT	SCREW,HHC,3/8-16 X 1.....8	8
21	4266GT	SCREW,HHC,1/4-20 X 2.....2	2	42	53024GT	SCR,M 10X40 LG HEX FLG. SERR.....2	2
22	30369GT	SOLENOID VALVE,N.C. 2POS. 3WAY.....1	1	43	37017GT	HOSE END,90DEG,.63 HS X.25 MPT.....2	2
		<i>includes index numbers 23 through 25</i>		44	46131GT	CLAMP,HOSE,.63.....2	2
23	45912GT	NUT,SOLENOID VALVE 2P3W.....2	2	45	52762GT	HOSE,WATER INLET,LRG425 EFI.....1	1
24	27814GT	COIL,SOLENOID,10V.....2	2	46	53832GT	HOSE,FIRE RES.,5/8 ID,BULK	
25	29066GT	VALVE,SOLENOID,10V,2POS 3WAY**2	2	47	36203GT	ELBOW,90DEG.3/8MPT-5/8 BARB.....1	1
		<i>includes index numbers 23 and 24</i>		48	27010GT	VALVE,LOCK OFF,BEAM #FL-418.....1	1
26	33024GT	FLYWHEEL FLANGE,GREEN PLASTIC.....1	1	49	22279GT	REGULATOR,LPG BEAM 60***1	1
27	6019GT	SCREW,HHC,3/8-16 X 1.25 GRD 5.....10	10	--	24470GT	REGULATOR DIAPH.KIT BEAM 50/60...1	1
28	6021GT	WASHER,LOCK,.375.....20	20	49A	102119GT	HOSE,3/4,LP from regulator to mixer	
29	37002GT	COUPLER,HUB,15 TOOTH 7/16BOLT*.....1	1	50	48473P-SGT	BRACKET,AIR FILTER,FORD GAS PT...1	1
30	25571P-SGT	PLATE,PUMP MOUNT,FORD,PAINTED.....1	1	51	18503GT	NUT,LOCKING-LG.FLANGE,5/16-18.....4	4
31	7339GT	SCREW, HHC, 1/4-20 X .5.....4	4	52	219437GT	ISOLATOR, VIBRATION.....2	2
				53	58917GT	END CAP,AIR FILTER-27915&49740.....1	1
				54	52658GT	NUT - WING, AIR FILTER, 425EFI.....1	1

402.1 Ford LRG-425 EFI Engine - View 2
(continued)

Item	Part No.	Description	Qty.
55	27916GT	FILTER,AIR,ELEMENT***.....	1
56	49740GT	AIR CLEANER,FORD EFI***..... <i>includes index numbers 53 through 55</i>	1
57	30971GT	CLAMP,HOSE,3.00".....	1
58	53124GT	HOSE,AIR INT.2.5 IDX12" W/450.....	1
59	53952GT	BRKT,AIR CLEANER ORIENTATION**.....	1

This Page Intentionally Left Blank

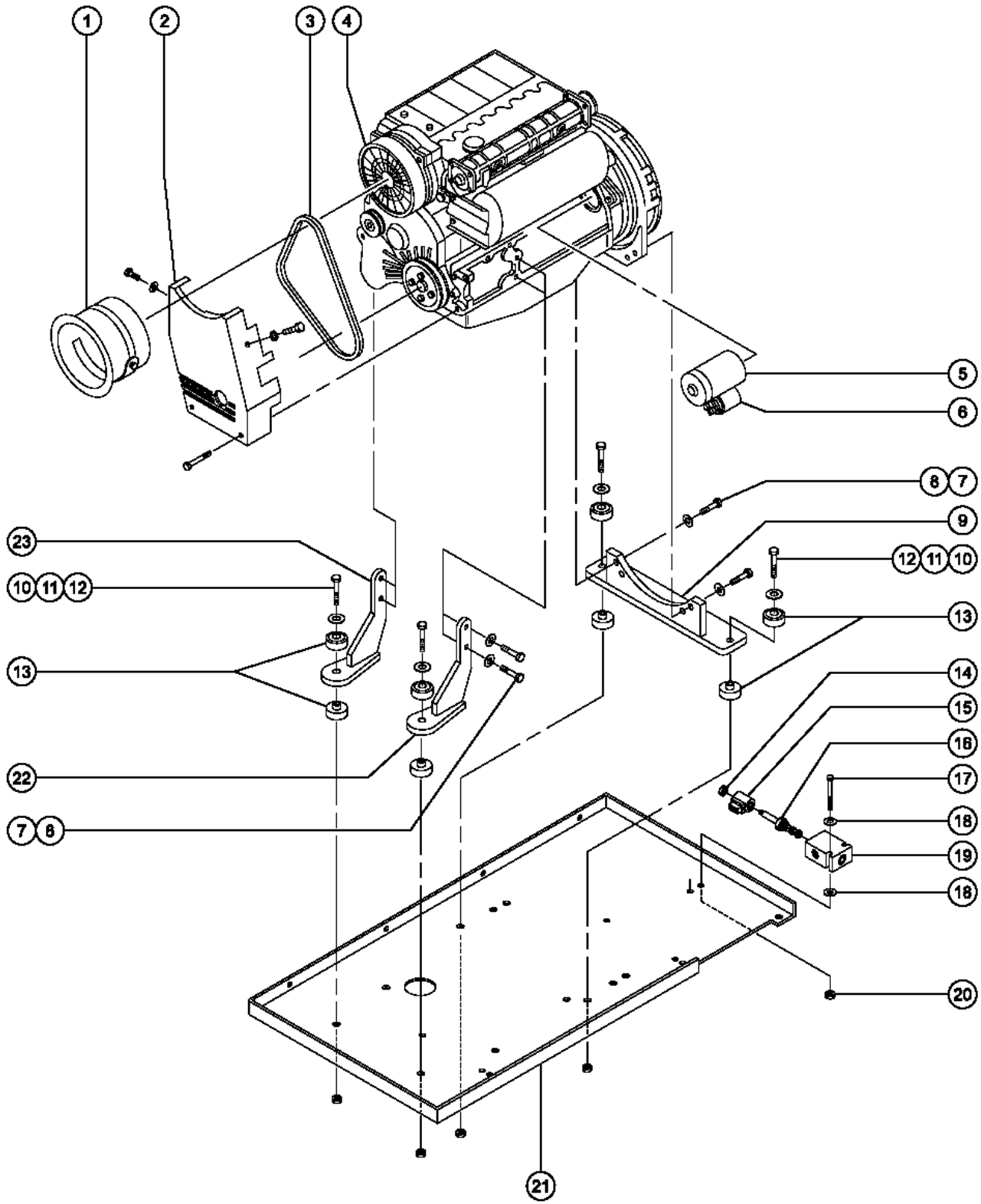
403.1 Ford LRG-425 EFI Engine - View 3



403.1 Ford LRG-425 EFI Engine - View 3

Item	Part No.	Description	Qty.	Item	Part No.	Description	Qty.
1	77170GT	HOSE,LOWER RADIATOR,Z45.....	1	42	73612GT	SCREW,PHM,10-24X.50,SELF TAP.....	6
2	13014GT	CLAMP,HOSE,2.25" DIA.....	2	43	73613GT	WASHER,STAR,#10,PLTD.....	6
3	33965GT	HOSE, UPPER RADIATOR.....	1	44	34942P-SGT	STRUT,RH,FORD RADIATOR,PAINT.....	1
4	45171GT	CLAMP,HOSE,1.75,LINED.....	2	45	219437GT	ISOLATOR, VIBRATION.....	2
5	27943GT	CAP,RADIATOR,FORD***.....	1	46	34927P-SGT	SHROUD,RADIATOR LRG 423 BLUE**.....	1
6	33969GT	RADIATOR,FORD,LRG.....	1	47	34943P-SGT	MOUNT,RAD.SUPPT,LH,BLUE.....	1
--	28717GT	VALVE,DRAIN,FORD,BLOCK,RAD.....	1				
7	53425-SGT	WELDMENT,RH,ENGINE MOUNT.....	1				
8	8516GT	SCREW, HCC, 3/8-16 X 1.50.....	4				
9	6097GT	WASHER,FLAT,USS,3/8",Y.....	4				
10	4828GT	NUT,NYLOCK,3/8-16.....	4				
11	24038GT	SHOCK MOUNT,SMALL.....	2				
12	34929-SGT	WELDMENT,RADIATOR MOUNT LRG423.....	1				
13	48425GT	NUT,LOCKING-LRG.FLANGE,3/8-16.....	2				
14	60790GT	BOLT, CARRIAGE, 3/8-16 X 1.50, G5.....	2				
15	53909GT	SCREW,HHC,5/8-11 X 4.0 GR8.....	4				
16	6035GT	WASHER,FLAT,USS,5/8",Y.....	4				
17	6024GT	NUT,NYLOCK,5/8-11.....	4				
18	28076GT	ISOLATOR,VIBRATION,LG,RD&WH***.....	4				
19	29883GT	SCREW,HHC,5/8-11 X 1.75 GRD.8.....	3				
20	6036GT	WASHER,LOCK,.625 PLTD.....	2				
21	13064GT	WASHER,FLAT,.625 HARDENED.....	3				
22	6090GT	SCREW,HHC,1/4-20 X .75.....	8				
23	6356GT	WASHER,LOCK,.25.....	8				
24	6638GT	WASHER,FLAT,USS,1/4"Y.....	10				
25	30679-SGT	WELDMENT, ENGINE MODULE PLATE.....	1				
--	45209GT	WEAR PAD,4X2X.5 W/INSERT***.....	4				
27	30143GT	BATTERY,12V,1000 CCA GRP 31.....	1				
28	30891GT	BATT.CABLE,00,POS.,RED,50".....	1				
29	122058GT	BATTERY CABLE,1/0 GA,BLK 30".....	1				
30	18189GT	BOOT,BATTERY TERMINAL,RED.....	1				
31	30144GT	BATTERY HOLD DOWN,GROUP 31.....	1				
32	28234P-SGT	PLATE,ENGINE MOUNT,PAINTED.....	1				
33	8170GT	NUT,WING,1/4-20.....	2				
34	30784-975GT	THREADED ROD,(1/4-20),9.75.....	2				
35	27034GT	SCREW,HHC,M10 X 25MM,GR 8.8.....	7				
36	22700GT	WASHER,LOCK,M10.....	7				
37	32339GT	CLAMP,1.75,#28 X 3/8,RUB CUSH*.....	2				
38	53290-SGT	WELDMENT,RH,ENGINE MOUNT.....	1				
39	6198GT	NUT,NYLOCK,1/2-13.....	2				
40	6095GT	WASHER,FLAT,USS,1/2",Y.....	2				
41	10598GT	SCREW,HHC,1/2-13 X 3.....	2				

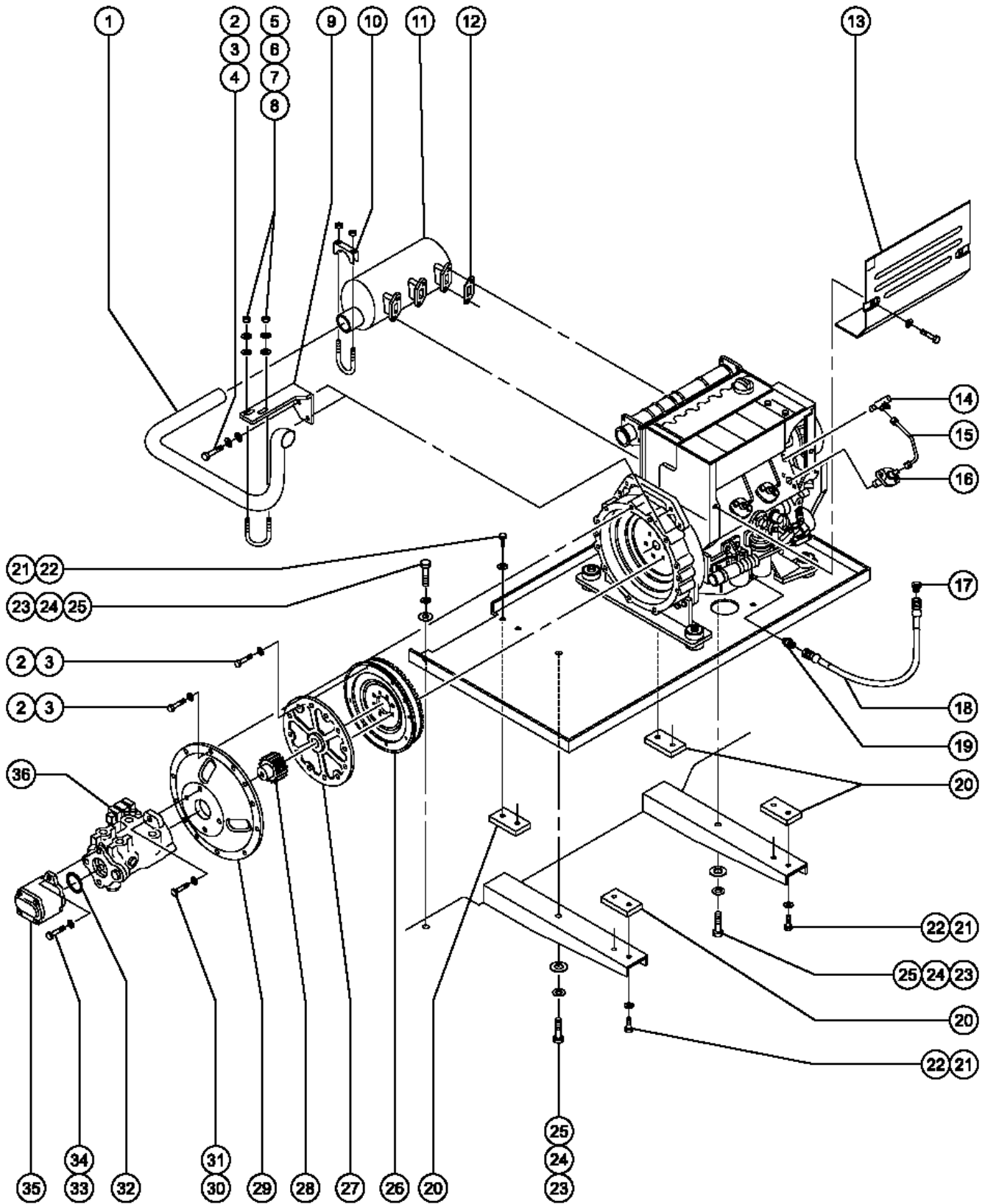
404.1 Deutz F3L 1011F Engine - View 1



404.1 Deutz F3L 1011F Engine - View 1

Item	Part No.	Description	Qty.
--	70453GT	ENGINE,DEUTZ D2011L031 <i>F3L 1011 AND F3L 1011F Engines only</i>	
1	49914GT	GUARD-FAN, DEUTZ ENG,F4L1011F....1	
2	29555GT	COVER,FRONT DEUTZ ENGINE.....1	
3	32698GT	BELT,V, DEUTZ DIESEL ENGINE.....1	
4	35586GT	ALTERNATOR, DEUTZ F3L10/F4L10*....1	
5	139709GT	STARTER, 12V <i>9 tooth; inspect old starter before ordering (includes item 6)</i>	
5	37950GT	STARTER,DEUTZ,F4L1011F/F3L1011...1 <i>11 tooth; inspect old starter before ordering (includes item 6)</i>	
6	49915GT	SOLENOID-STARTR DEUTZF4L1011F*.....1	
7	34265GT	SCREW,HHC,M14 X 55.....8	
8	37505GT	WASHER,LOCK,M14.....8	
9	29550GT	WELDMENT,DEUTZ ENGINE MOUNT...1	
10	53909GT	SCREW,HHC,5/8-11 X 4.0 GR8.....4	
11	33418GT	WASHER,FLAT,.625 X 2.25 X.15.....4	
12	6024GT	NUT,NYLOCK,5/8-11.....4	
13	28076GT	ISOLATOR,VIBRATION,LG,RD&WH***...4	
14	45912GT	NUT,SOLENOID VALVE 2P3W.....1	
15	81043GT	COIL,SOLENOID,8 DSD 10V,W/DIO*.....1 <i>from SN 5642</i>	
--	27814GT	COIL,SOLENOID,10V.....1 <i>to SN 5641</i>	
16	62249GT	VALVE,SOLENOID,10V W/DIODE.....1 <i>includes index numbers 14 and 15; from SN 5642</i>	
--	65766GT	VALVE,SOLENOID,10V W/DIODE***.....1 <i>includes index numbers 14 and 15; to SN 5641</i>	
17	4266GT	SCREW,HHC,1/4-20 X 2.....2	
18	6638GT	WASHER,FLAT,USS,1/4"Y.....4	
19	30369GT	SOLENOID VALVE,N.C. 2POS. 3WAY.....1 <i>includes index numbers 14 and 15; to SN 5641</i>	
--	81196GT	MANIFOLD,S40/45 BRAKE,NC 2POS....1 <i>includes index 14 through 16; from 5642</i>	
20	6889GT	NUT,LP NYLOCK,1/4-20.....2	
21	30679-SGT	WELDMENT, ENGINE MODULE PLATE.....1	
22	32748GT	WELMENT,DEUTZ ENGINE MOUNT....1	
23	32749GT	WELDMENT,DEUTZ ENGINE MOUNT...1	

405.1 Deutz F3L 1011F Engine - View 2



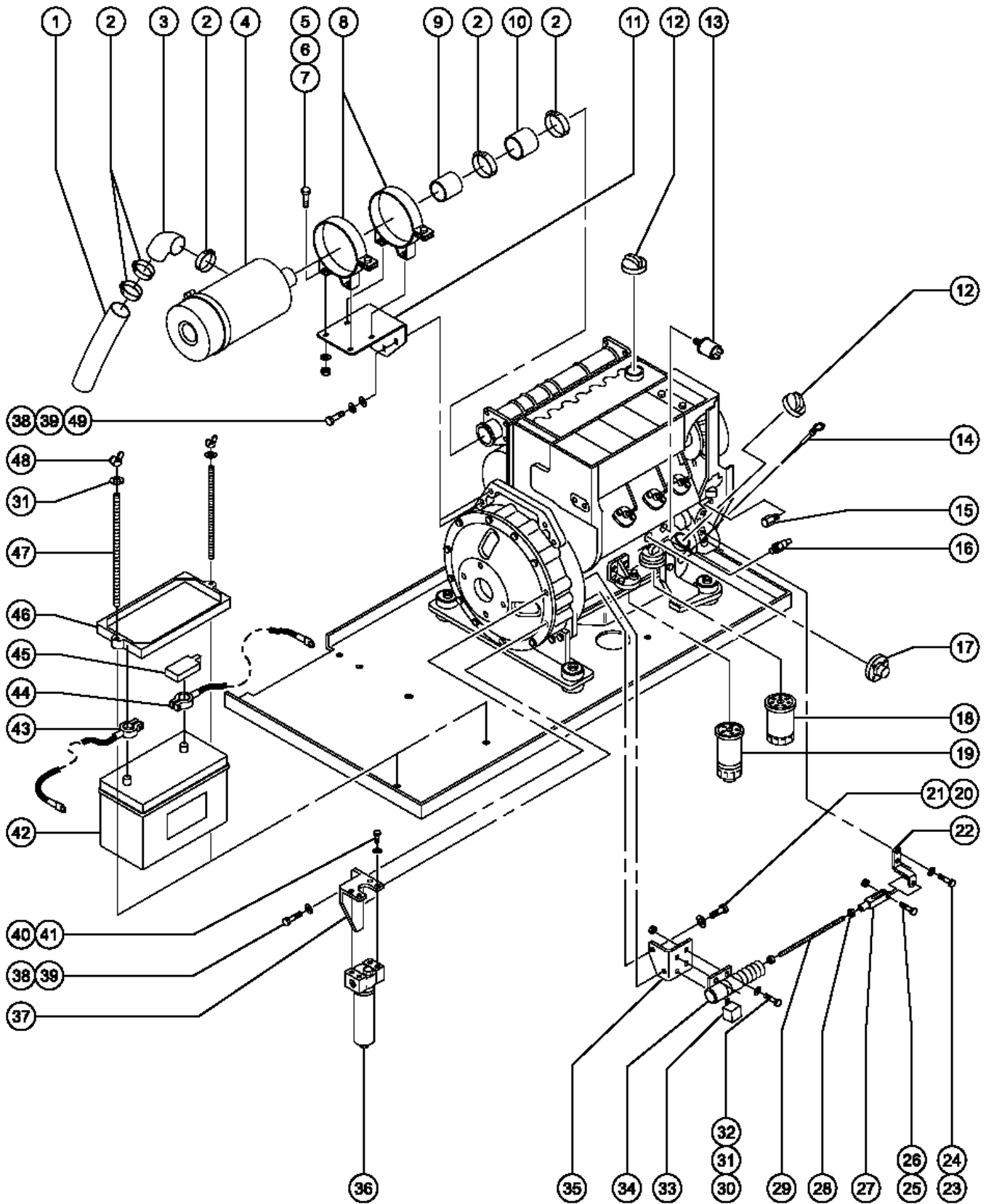
405.1 Deutz F3L 1011F Engine - View 2

Item	Part No.	Description	Qty.	Item	Part No.	Description	Qty.
1	30660GT	EXHAUST, TAILPIPE, DEUTZ, S40.....	1	35	53961GT	PUMP, LIFT 1.025 C.I.***.....	1
2	44064GT	SCREW, HHC, M10 X 30MM,.....	26			<i>Models before SN 4123 must order complete assy 53964 for first time replacement of pump.</i>	
3	22700GT	WASHER, LOCK, M10.....	26	--	53962GT	SEAL KIT, LIFT PUMP (53961)***.....	1
4	6097GT	WASHER, FLAT, USS, 3/8", Y.....	16	36	53964GT	PUMP ASSY, M46+1.0 CU IN LIFT*.....	1
5	6037GT	NUT, HEX, 5/16-18, GR5.....	2			<i>includes index numbers 32 through 35; from SN 4123</i>	
6	6886GT	WASHER, LOCK, .313.....	2	--	22965GT	EDC ASSY, SAUER, M46***.....	1
7	5397GT	WASHER, FLAT, USS, 5/16", Y.....	2	--	27067GT	SEAL, SHAFT-SUNDSTRAND***.....	1
8	16584GT	U-BOLT, KIT 5/16-18 X 2.5 ***.....	1	--	29739GT	SEAL KIT, SAUER-DANFOSS M46***.....	1
		<i>includes index number 5</i>		--	32611GT	SHAFT, M46 15 TOOTH.....	1
9	30674-SGT	WELDMENT, EXHAUST SUPPORT.....	1	--	46674GT	PUMP, VAR. PISTON M46 2.8 CIQVP*.....	1
10	30438GT	CLAMP, MUFFLER, 2 1/4" ID.....	2				
11	32695GT	MUFFLER, DEUTZ.....	1				
12	29559GT	GASKET, EXHAUST.....	3				
13	52353GT	COVER, ENGINE SIDE (F30-1011F).....	1				
14	49919GT	INJECTOR - DEUTZ F4L1011F.....	3				
15	49921GT	FUEL LINE INJ. DEUTZ F4L1011F.....	3				
16	49929GT	INJECTOR PUMP - DEUTZ F4L1011F.....	3				
17	109802GT	PLUG, ORB #6.....	1				
18	491353389SGT	HOSE ASSY 3/8".....	1				
		1					
19	48884GT	FITTING, M18 X 8, 52MO187.....	1				
20	45209GT	WEAR PAD, 4X2X.5 W/INSERT***.....	4				
21	6090GT	SCREW, HHC, 1/4-20 X .75.....	8				
22	6356GT	WASHER, LOCK, .25.....	8				
23	29883GT	SCREW, HHC, 5/8-11 X 1.75 GRD.8.....	4				
24	6036GT	WASHER, LOCK, .625 PLTD.....	4				
25	13064GT	WASHER, FLAT, 625 HARDENED.....	4				
26	49917GT	RING GEAR, DEUTZ F3 & F4L1011F*.....	1				
		<i>(please verify ring gear thickness) 0.46 inches</i>					
--	33729GT	RING GEAR, DEUTZ F3 & F4L1011*.....	1				
		<i>(please verify ring gear thickness) 0.365 inches</i>					
--	89785GT	RING GEAR, DEUTZ F3L2011F.....	1				
		<i>(please verify ring gear thickness) 0.6 inches</i>					
27	33024GT	FLYWHEEL FLANGE, GREEN PLASTIC.....	1				
28	37003GT	COUPLER, HUB, 15 TOOTH 7/16BOLT*.....	1				
29	30806GT	FLYWHEEL COVER, CASTING***.....	1				
30	6096GT	SCREW, HHC, 1/2-13 X 2 GR5.....	2				
31	6033GT	WASHER, LOCK, 0.5".....	2				
32	29436GT	O-RING***.....	1				
33	6175GT	SCREW, HHC, 3/8-16 X 1.....	2				
34	6021GT	WASHER, LOCK, .375.....	2				

Footnotes

1: Hose End - Female, Swivel, ORFS (Parker No. 1JC43-6), Hose End - Female, Swivel, 90°, ORFS (Parker No. 1JC43-8-6) and Hose, 3/8 inch (Parker No. 451TC-6)

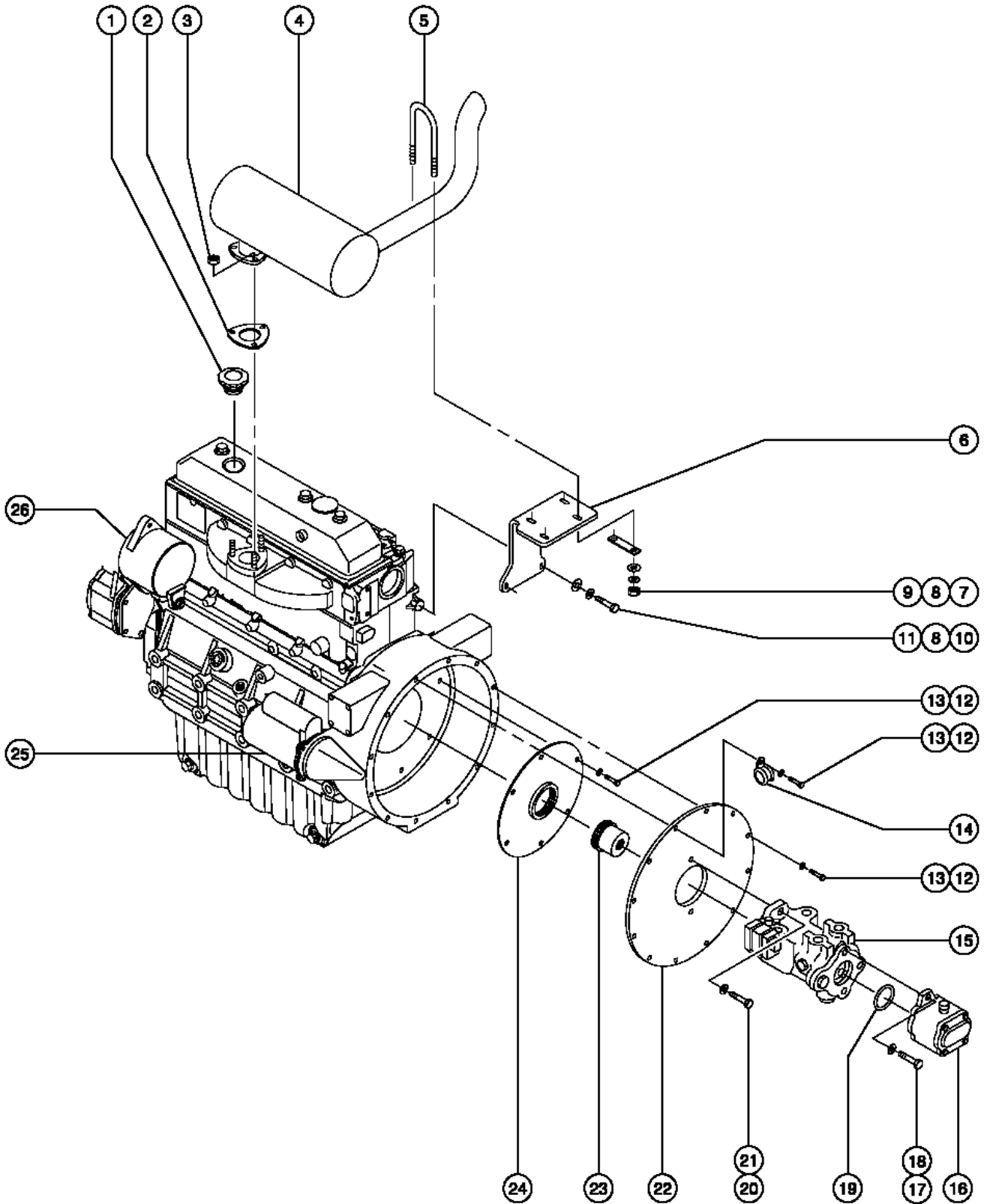
406.1 Deutz F3L 1011F Engine - View 3



406.1 Deutz F3L 1011F Engine - View 3

Item	Part No.	Description	Qty.	Item	Part No.	Description	Qty.
1	34162-3150GT	HOSE,AIR INTAKE 2.5" I.D.....	1	22	33240P-SGT	BRACKET,ACTUATOR ARM MTG,PTD.....	1
2	53945GT	CLAMP,HOSE 2 5/16-3 1/4.....	5	23	22578GT	SCREW,HHC,M6 X 20MM,GR8.8.....	2
3	34164GT	ELBOW,90 DEGR,RUBBER,2.5" I.D.*.....	1	24	49407GT	WASHER,LOCK,M6.....	2
4	27915GT	AIR CLEANER.....	1	25	6584GT	SCREW,SHS,10-24 X .625.....	1
--	27916GT	<i>does NOT include mounting bands</i>		26	5365GT	NUT,NYLOCK,10-24.....	1
--	27916GT	FILTER,AIR,ELEMENT***.....	1	27	21130GT	CLEVIS YOKE-1/4-28,PLTD W/PIN.....	1
--	52658GT	NUT - WING, AIR FILTER, 425EFI.....	1	28	21496GT	NUT,HEX,1/4-28.....	2
--	53952GT	BRKT,AIR CLEANER ORIENTATION**.....		29	30785-1000GT	THREADED ROD,1/4-28 X 10 IN***.....	1
--	58917GT	END CAP,AIR FILTER-27915&49740.....	1	30	6090GT	SCREW,HHC,1/4-20 X .75.....	4
--	65815GT	CLAMP, AIR CLEANER (27915)**.....	1	31	6638GT	WASHER,FLAT,USS,1/4"Y.....	6
		<i>clamp that holds the end cap on</i>		32	6889GT	NUT,LP NYLOCK,1/4-20.....	4
5	13002GT	SCREW,HHC,5/16-18 X 1 GR5.....	4	33	60521GT	RELAY,SEALED 30/40 AMP.....	1
6	5397GT	WASHER,FLAT,USS,5/16",Y.....	4			<i>from SN 5629</i>	
7	6002GT	NUT,LP NYLOCK,5/16-18.....	4	--	73993GT	HARNES, RPM SOLENOID RELAY***.....	1
8	53952GT	BRKT,AIR CLEANER ORIENTATION**.....	2	34	29073GT	SOLENOID,THROTTLE,.....	1
9	30966GT	HOSE,AIR INTAKE 2.25" I.D.....	1	--	52537GT	BOOT,SOLENOID,29073.....	1
10	30967GT	HOSE,AIR INTAKE 2.75" I.D.***.....	1	35	33241P-SGT	BRACKET,SOLENOID MTG,PAINTED....	1
11	30769P-SGT	BRACKET,AIR CLEANER MTG.PAINT...1		36		FILTER ASY,M PRESS,SAE8,WOIND* (77139).....	1
12	29557GT	CAP,OIL FILLER,DEUTZ,DIESEL***.....	2			<i>component no longer available</i>	
13	37033GT	SENDING UNIT,OIL PRESS.,DEUTZ*....1		--	20880GT	FILTER ELEMENT-10 MIC.***.....	1
--	30805GT	<i>single terminal</i>				<i>for 77139</i>	
--	30805GT	SENDING UNIT,OIL PRESS.,DEUTZ....1		36A	1267807GT	ASSY, MED. PRESS. FILTER, SAE8	
		<i>dual terminal</i>		--	1268229GT	ELEMENT-5 MIC, PAPER, W/BYPASS for 1267807	
14	52352GT	DIPSTICK-F3L1011F (DEUTZ).....	1	37	30230P-SGT	FILTER MOUNT BRACKET.....	1
15	T114678GT	SHUTDOWN SOLENOID,12V, DEUTZ....1				<i>to SN 5384</i>	
--	45782GT	<i>(must order cable assembly, 58256, if replacing 32752)</i>		--	73840PGT	BRACKET,HYDRAULIC FILTER PNT.....	1
--	45782GT	DIODE,6 AMP,200 PIV,BULK				<i>from SN 5385</i>	
--	58256GT	SOLENOID CABLE ASSY***		38	44064GT	SCREW,HHC,M10 X 30MM,.....	4
--	72255GT	CONNECTOR, DEUTZ FUEL SHUTOFF* <i>(does not include diode, 45782)</i>		39	22700GT	WASHER,LOCK,M10.....	4
16	34059GT	SENDING UNIT,OIL TEMP.....	1	40	8914GT	SCREW,HHC,1/4-20 X .625.....	4
17	49923GT	PUMP, FUEL LIFT, F4L1011F.....	1			<i>to SN 5384</i>	
18	49924GT	FILTER,OIL,DEUTZ F4L1011F.....	1	--	6090GT	SCREW,HHC,1/4-20 X .75.....	4
--	1255653GT	<i>Genie Genuine Part. See PN 1255653 for compatible aftermarket replacement.</i>				<i>from SN 5385</i>	
--	1255653GT	FILTER,OIL,DEUTZ,REPLACEMENT....1		41	6356GT	WASHER,LOCK,.25.....	4
		<i>Genie Aftermarket Part. Compatible with Genie Genuine Part 49924.</i>		42	30143GT	BATTERY,12V,1000 CCA GRP 31.....	1
19	29560GT	FILTER,FUEL/WTR SEP, DTZ 1008.....1		43	122058GT	BATTERY CABLE,1/0 GA,BLK 30".....	1
--	1254826GT	<i>Genie Genuine Part. See PN 1254826 for compatible aftermarket replacement.</i>		44	30891GT	BATT.CABLE,00,POS.,RED,50".....	1
--	1254826GT	FUEL FILTER W/SEP,DEUTZ,1008.....1		45	18189GT	BOOT,BATTERY TERMINAL,RED.....	1
		<i>Genie Aftermarket Part. Filter for Deutz F3L 1011F Engine.</i>		46	30144GT	BATTERY HOLD DOWN,GROUP 31.....	1
20	23057GT	SCREW,HHC,M8 X 20MM.....	2	47	30784-975GT	THREADED ROD,(1/4-20),9.75.....	2
21	49408GT	WASHER,LOCK,M8.....	2	48	8170GT	NUT,WING,1/4-20.....	2
				49	6097GT	WASHER,FLAT,USS,3/8",Y.....	2

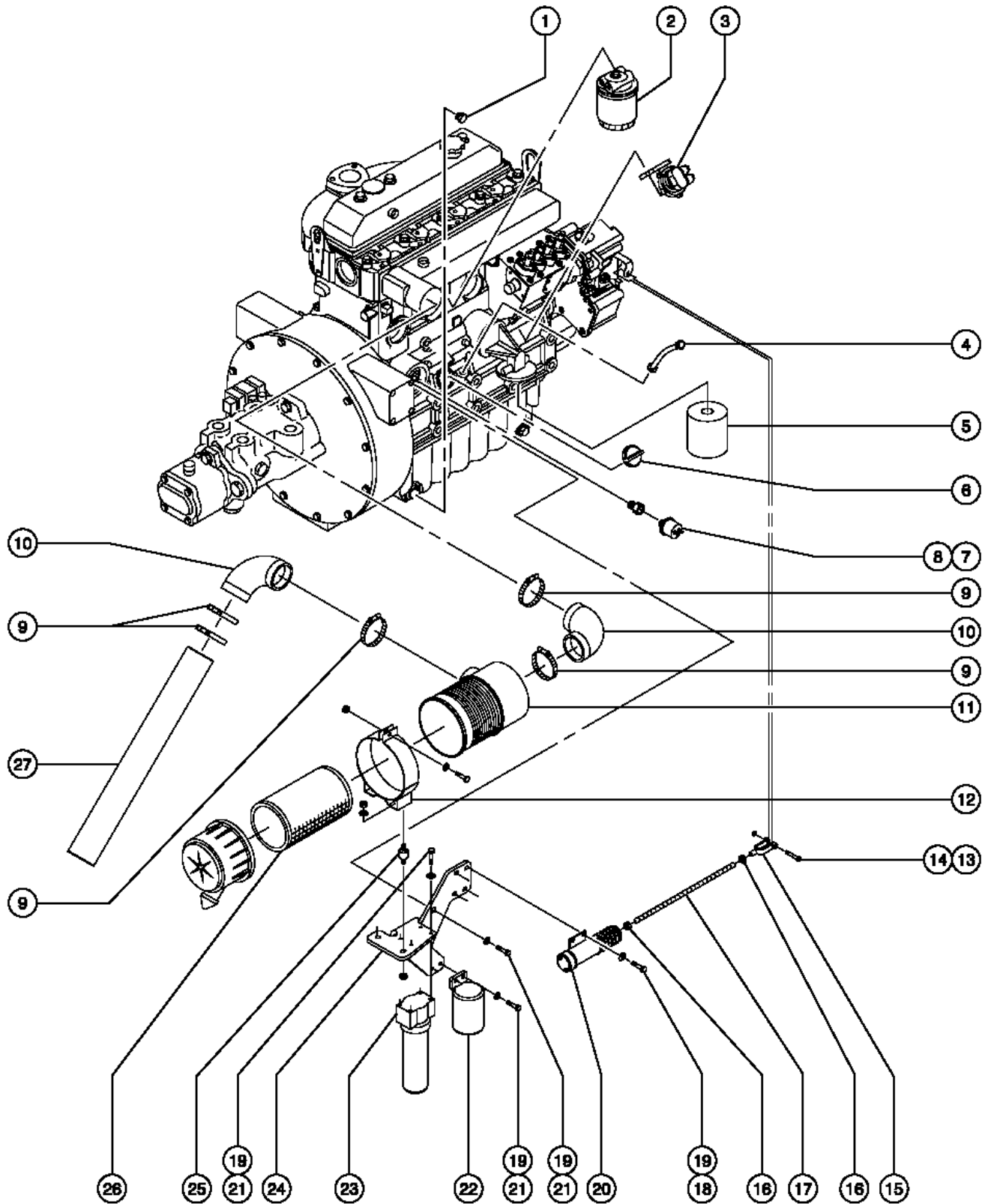
407.1 Perkins 704-30 Engine - View 1



407.1 Perkins 704-30 Engine - View 1

Item	Part No.	Description	Qty.
1	65499GT	CAP, SIDE OIL FILL, PERKINS.....	1
2	65503GT	GASKET,MUFFLER PERKINS(53883)....	1
3	65504GT	NUT,MUFFLER PERKINS 10MM.....	3
4	63313GT	MUFFLER, PERKINS.....	1
5	16584GT	U-BOLT, KIT 5/16-18 X 2.5 ***.....	2
6	63326PGT	MUFFLER BRACKET, PAINTED.....	1
7	6037GT	NUT,HEX,5/16-18,GR5.....	4
8	6886GT	WASHER,LOCK,.313.....	6
9	5397GT	WASHER,FLAT,USS,5/16",Y.....	4
10	23057GT	SCREW,HHC,M8 X 20MM.....	2
11	6638GT	WASHER,FLAT,USS,1/4"Y.....	2
12	44064GT	SCREW,HHC,M10 X 30MM.....	26
13	22700GT	WASHER,LOCK,M10.....	26
14	45454GT	CLAMP,RUB CUSH,0.75,#12 X 3/8*.....	1
15	53964GT	PUMP ASSY, M46+1.0 CU IN LIFT*..... <i>includes index numbers 16 through 19; from SN 4123</i>	1
--	22965GT	EDC ASSY,SAUER,M46***.....	1
--	27067GT	SEAL,SHAFT-SUNDSTRAND***.....	1
--	29739GT	SEAL KIT,SAUER-DANFOSS M46***.....	1
--	32611GT	SHAFT,M46 15 TOOTH.....	1
--	46674GT	PUMP,VAR.PISTON M46 2.8 CIQVP*.....	1
16	53961GT	PUMP,LIFT 1.025 C.I.***..... <i>Models before SN 4123 must order complete assy 53964 for first time replacement of pump.</i>	1
--	53962GT	SEAL KIT,LIFT PUMP (53961)***.....	1
17	6175GT	SCREW,HHC,3/8-16 X 1.....	10
18	6097GT	WASHER,FLAT,USS,3/8",Y.....	2
19	29436GT	O-RING***.....	1
20	6096GT	SCREW,HHC,1/2-13 X 2 GR5.....	2
21	6033GT	WASHER,LOCK,0.5".....	2
22	63464PGT	PLATE, PUMP MOUNT, PAINTED***.....	1
23	37002GT	COUPLER,HUB,15 TOOTH 7/16BOLT*.....	1
24	33024GT	FLYWHEEL FLANGE,GREEN PLASTIC.....	1
25	65495GT	STARTER MOTOR, PERKINS (53883)...	1
26	65487GT	ALTERNATOR, PERKINS (53883).....	1

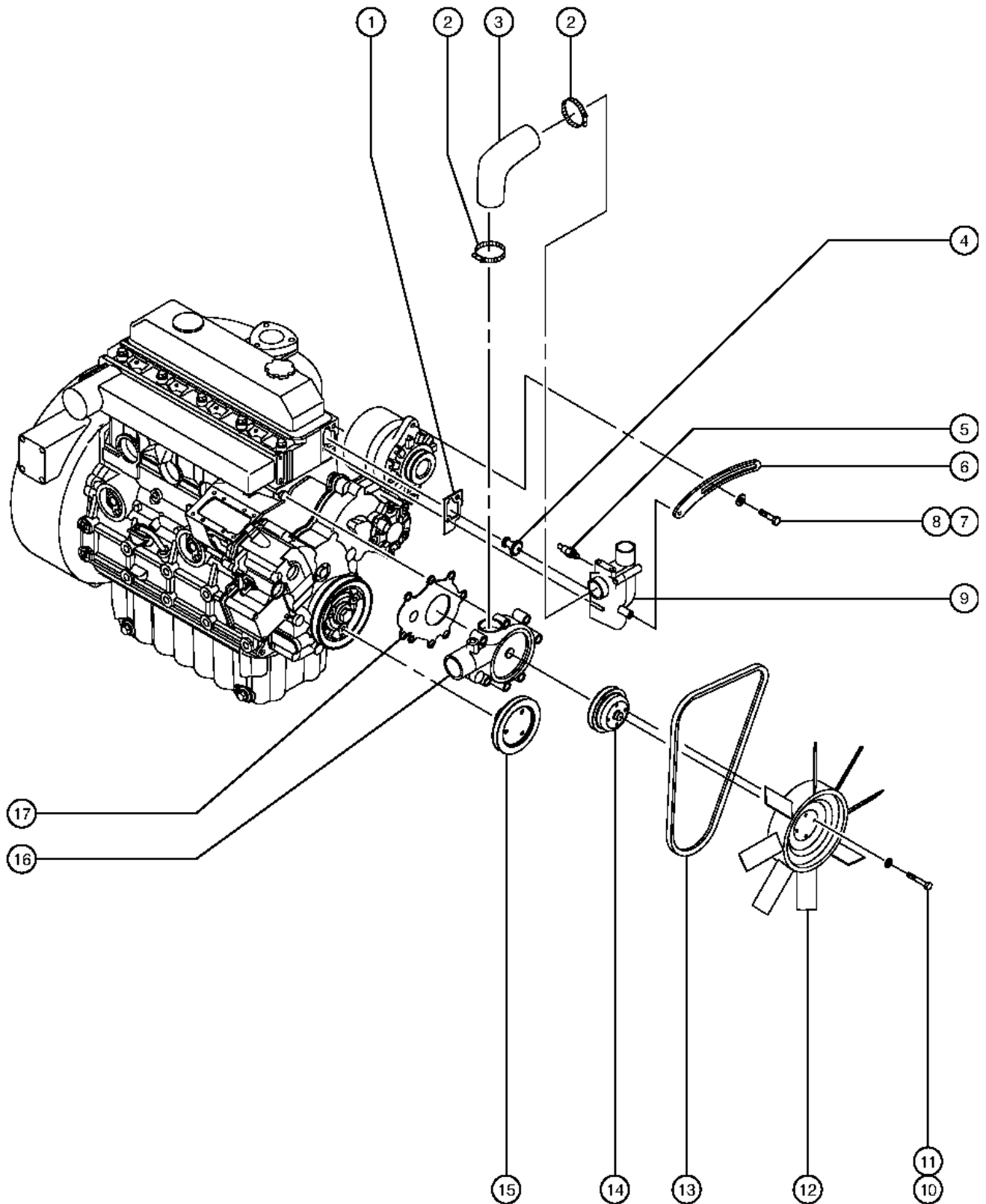
408.1 Perkins 704-30 Engine - View 2



408.1 Perkins 704-30 Engine - View 2

Item	Part No.	Description	Qty.	Item	Part No.	Description	Qty.
1	109802GT	PLUG,ORB #6.....	1	27	34162-3150GT	HOSE,AIR INTAKE 2.5" I.D.....	1
2	62421GT	FILTER,FUEL,PERKINS.....	1				
3	65500GT	PUMP, LIFT INLET PORT (53883).....	1				
--	53948GT	ADPTR,STR FEM INV 45D 1/4X1/4.....	1				
--	65501GT	FITTINGS, LIFT PUMP INLET PORT.....	1				
4	65497GT	DIPSTICK (53883).....	1				
5	62422GT	FILTER,OIL,PERKINS 704-30 (BB).....	1				
6	65498GT	CAP,OIL FILLER, PERKINS.....	1				
7	30810GT	SENDING UNIT,OIL PRESSURE***..... <i>dual-terminal sender</i>	1				
8	53951GT	ADPTR,ST. THR 3/4-16 FEM PIPE.....	1				
9	53945GT	CLAMP,HOSE 2 5/16-3 1/4.....	5				
10	34164GT	ELBOW,90 DEGR,RUBBER,2.5" I.D.*.....	2				
11	63463GT	AIR CLEANER,NELSON***..... <i>includes index number 26</i>	1				
--	52866GT	EVACUATOR VALVE-AIR CLEANER					
--	58415GT	CLIP,AIR CLEANER END CAP***					
--	62420GT	FILTER,AIR***					
--	65810GT	BAFFLE, AIR CLEANER (27915)**					
12	54535GT	BRACKET,AIR CLEANER PERKINS..... <i>includes mounting fasteners</i>	1				
13	6584GT	SCREW,SHS,10-24 X .625.....	1				
14	5365GT	NUT,NYLOCK,10-24.....	1				
15	21130GT	CLEVIS YOKE-1/4-28,PLTD W/PIN.....	1				
16	21496GT	NUT,HEX,1/4-28.....	2				
17	30785-1000GT	THREADED ROD,1/4-28 X 10 IN***.....	1				
18	6888GT	SCREW,HHC,1/4-20 X 1.....	4				
19	6638GT	WASHER,FLAT,USS,1/4"Y.....	11				
20	29073GT	SOLENOID,THROTTLE.....	1				
--	52537GT	BOOT,SOLENOID,29073.....	1				
--	73993GT	HARNES, RPM SOLENOID RELAY***.....	1				
21	6090GT	SCREW,HHC,1/4-20 X .75.....	7				
22	42766GT	SEPARATOR/FILTER,FUEL DIESEL**.....	1				
--	22942GT	FILTER FOR FUEL/WTR SEP,22290.....	1				
23		FILTER ASY,M PRESS,SAE8,WOIND* (77139)..... <i>component no longer available</i>	1				
--	20880GT	FILTER ELEMENT-10 MIC.***..... <i>for 77139</i>	1				
23A	1267807GT	ASSY, MED. PRESS. FILTER, SAE8					
--	1268229GT	ELEMENT-5 MIC, PAPER, W/BYPASS <i>for 1267807</i>					
24	63399PGT	AIR CLEANER BRACKET, PAINTED.....	1				
25	219437GT	ISOLATOR, VIBRATION.....	2				
26	62420GT	FILTER,AIR***.....	1				

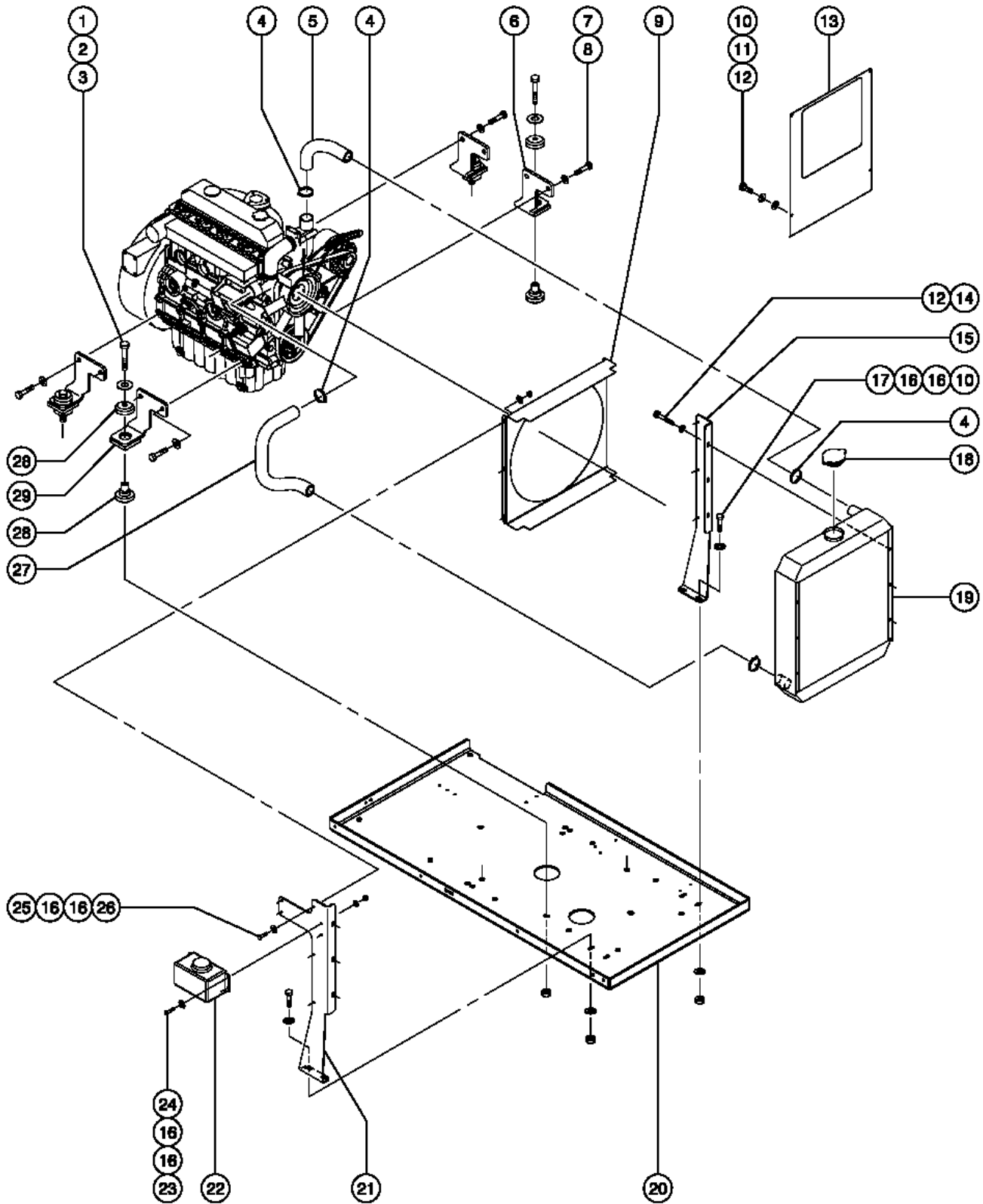
409.1 Perkins 704-30 Engine - View 3



409.1 Perkins 704-30 Engine - View 3

Item	Part No.	Description	Qty.
--		GASKET,TIMMING CASE COVER	
1	65505GT	GASKET, THERMOSTAT (53883).....	1
2	65506GT	CLAMP, HOSE (53883).....	2
3	65507GT	HOSE, WATER PUMP (53383).....	1
4	65493GT	THERMOSTAT, PERKINS (53883).....	1
5	34058GT	SENDING UNIT,TMP,FRD,GM,PRK704.....	1
6	65488GT	LEVER ALTERNATOR, (53883).....	1
7	49381GT	SCREW,HHC,M12 X 30.....	2
8	65355GT	WASHER,LOCK,M12.....	2
9	65494GT	HOUSING,THERMOSTAT (53883).....	1
10	67349GT	SCREW,HHC,M8 X 50.....	4
11	49408GT	WASHER,LOCK,M8.....	4
12	65490GT	FAN, PERKINS (53883).....	1
13	62423GT	BELT,V KIT, PERKINS 704-30.....	1
14	77482GT	PULLEY, WATER PUMP.....	1
15	65496GT	PULLEY,CRANKSHAFT (53883).....	1
16	65491GT	WATER PUMP, PERKINS (53883).....	1
17	65492GT	GASKET,TIMMING CASE COVER.....	1

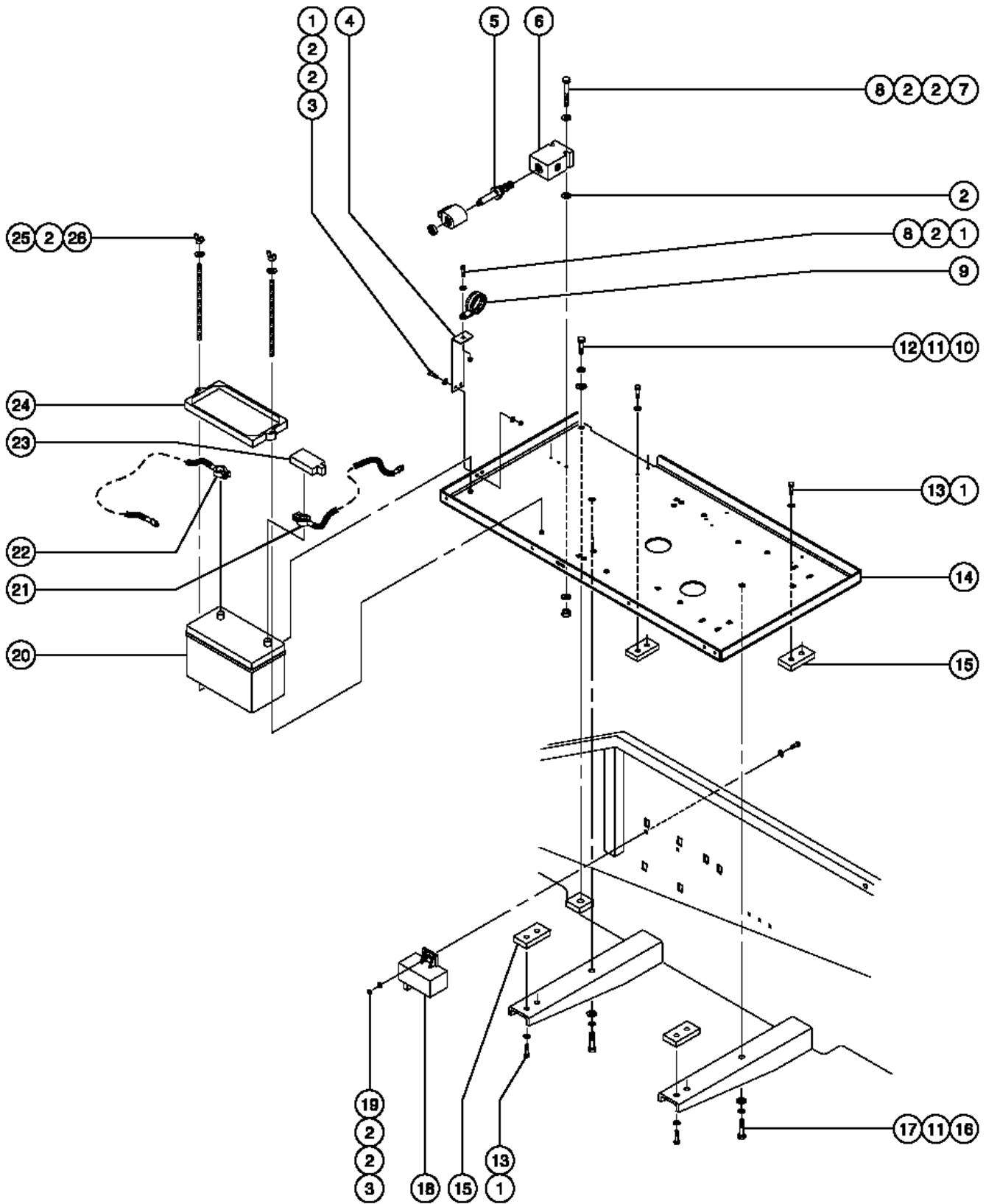
410.1 Perkins 704-30 Engine - View 4



410.1 Perkins 704-30 Engine - View 4

Item	Part No.	Description	Qty.
1	53909GT	SCREW,HHC,5/8-11 X 4.0 GR8.....	4
2	33418GT	WASHER,FLAT,.625 X 2.25 X.15.....	4
3	6024GT	NUT,NYLOCK,5/8-11.....	4
4	21465GT	CLAMP,HOSE,SIZE .25 TO .63.....	4
5	63413GT	RADIATOR HOSE, UPPER.....	1
6	63418GT	WELDMENT,ENGINE MOUNT,INBOARD.....	2
7	49384GT	SCREW,HHC,M14 X 30.....	8
8	37505GT	WASHER,LOCK,M14.....	8
9	63364PGT	FAN SHROUD, PAINTED.....	1
10	6175GT	SCREW,HHC,3/8-16 X 1.....	6
11	6021GT	WASHER,LOCK,.375.....	4
12	5397GT	WASHER,FLAT,USS,5/16",Y.....	10
13	63400PGT	BAFFLE, PERKINS, S40, PAINTED*.....	1
14	13002GT	SCREW,HHC,5/16-18 X 1 GR5.....	6
15	63362PGT	RADIATOR MOUNT, LH, PAINTED.....	1
16	6638GT	WASHER,FLAT,USS,1/4"Y.....	26
17	7713GT	NUT, LP NYLOCK, 3/8-16.....	6
18	65473GT	CAP,RADIATOR,PERKINS/FORD.....	1
19	63462GT	RADIATOR,PERKINS,GM..... <i>includes index number 18</i>	1
20	30679-SGT	WELDMENT, ENGINE MODULE PLATE.....	1
21	63363PGT	RADIATOR MOUNT, RH PAINTED.....	1
22	1279268GT	BOTTLE, COOLANT RECOVERY, 2QT.....	1
--	72327GT	CAP, COOLANT RET SYS(54071).....	1
23	6090GT	SCREW,HHC,1/4-20 X .75.....	4
24	6889GT	NUT,LP NYLOCK,1/4-20.....	4
25	6888GT	SCREW,HHC,1/4-20 X 1.....	6
26	6091GT	NUT,NYLOCK,1/4-20.....	6
27	63414GT	RADIATOR HOSE, LOWER.....	1
28	28076GT	ISOLATOR,VIBRATION,LG,RD&WH***.....	4
29	63419GT	WELDMENT,ENGINE MOUNT,OUTBOARD.....	2

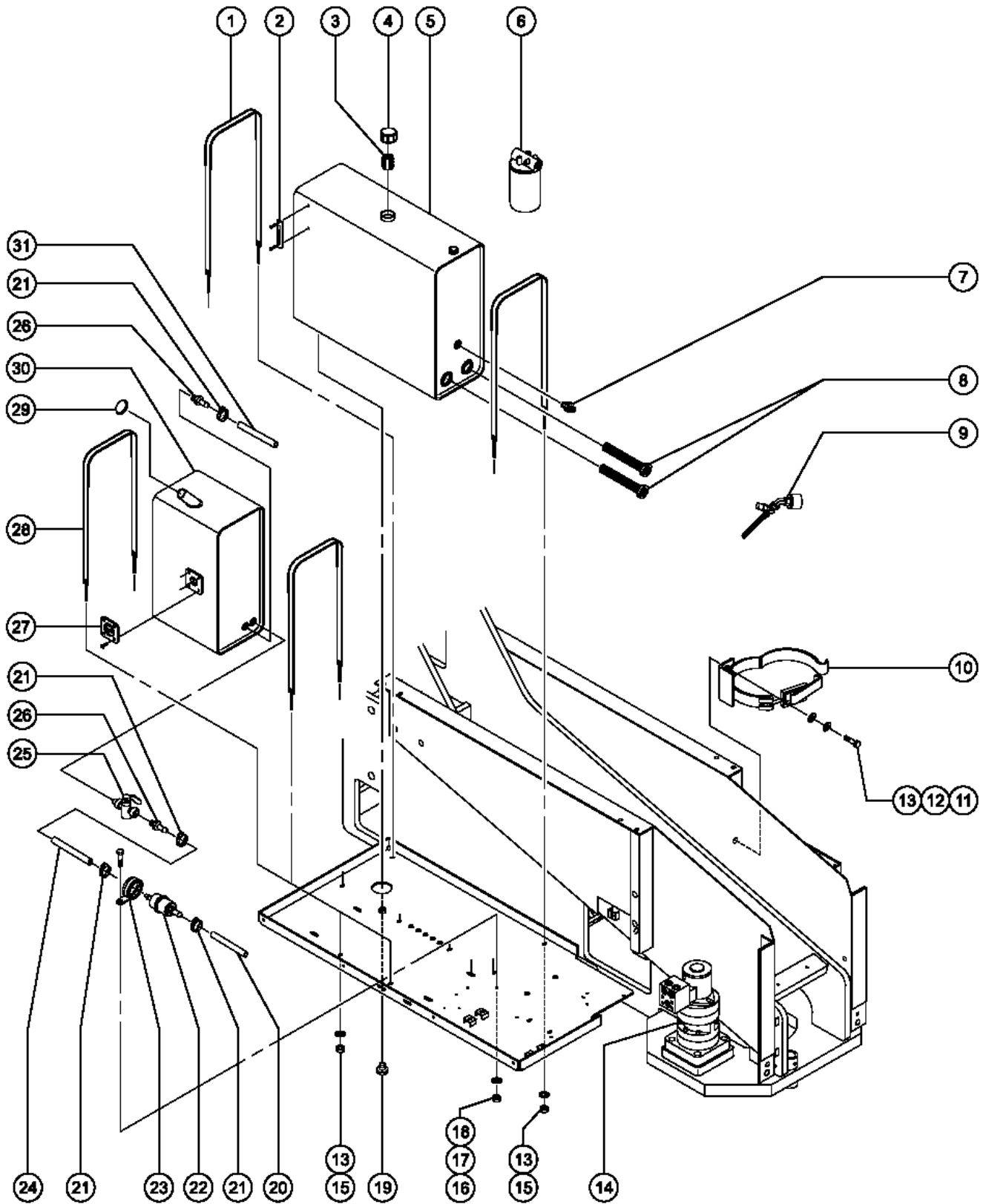
411.1 Perkins 704-30 Engine - View 5



411.1 Perkins 704-30 Engine - View 5

Item	Part No.	Description	Qty.
1	6090GT	SCREW,HHC,1/4-20 X .75.....	11
2	6638GT	WASHER,FLAT,USS,1/4"Y.....	15
3	6091GT	NUT,NYLOCK,1/4-20.....	3
4	63457PGT	AIR INTAKE BRACKET, PAINTED.....	1
5	29066GT	VALVE,SOLENOID,10V,2POS 3WAY**.....	1
--	27814GT	COIL,SOLENOID,10V.....	1
--	45912GT	NUT,SOLENOID VALVE 2P3W.....	1
6	30369GT	SOLENOID VALVE,N.C. 2POS. 3WAY..... <i>includes index number 5</i>	1
7	6115GT	SCREW,HHC,1/4-20 X 3.5.....	2
8	6889GT	NUT,LP NYLOCK,1/4-20.....	3
9	45455GT	CLAMP,2.75,#44 X 1/4,RUB CUSH*.....	1
10	29883GT	SCREW,HHC,5/8-11 X 1.75 GRD.8.....	1
11	6036GT	WASHER,LOCK,.625 PLTD.....	3
12	13064GT	WASHER,FLAT,.625 HARDENED.....	1
13	6356GT	WASHER,LOCK,.25.....	8
14	30679-SGT	WELDMENT, ENGINE MODULE PLATE.....	1
15	45209GT	WEAR PAD,4X2X.5 W/INSERT***.....	4
16	21175GT	SCREW,SHC,5/8-11 X 4,A574.....	2
17	33418GT	WASHER,FLAT,.625 X 2.25 X.15.....	2
18		CONTROLLER,GLOW PLUG (53883).... <i>component no longer available</i>	1
19	6888GT	SCREW,HHC,1/4-20 X 1.....	1
20	30143GT	BATTERY,12V,1000 CCA GRP 31.....	1
21	30891GT	BATT.CABLE,.00,POS.,RED,50".....	1
22	122058GT	BATTERY CABLE,1/0 GA,BLK 30".....	1
23	18189GT	BOOT,BATTERY TERMINAL,RED.....	1
24	30144GT	BATTERY HOLD DOWN,GROUP 31.....	1
25	8170GT	NUT,WING,1/4-20.....	2
26	30784-975GT	THREADED ROD,(1/4-20),9.75.....	2

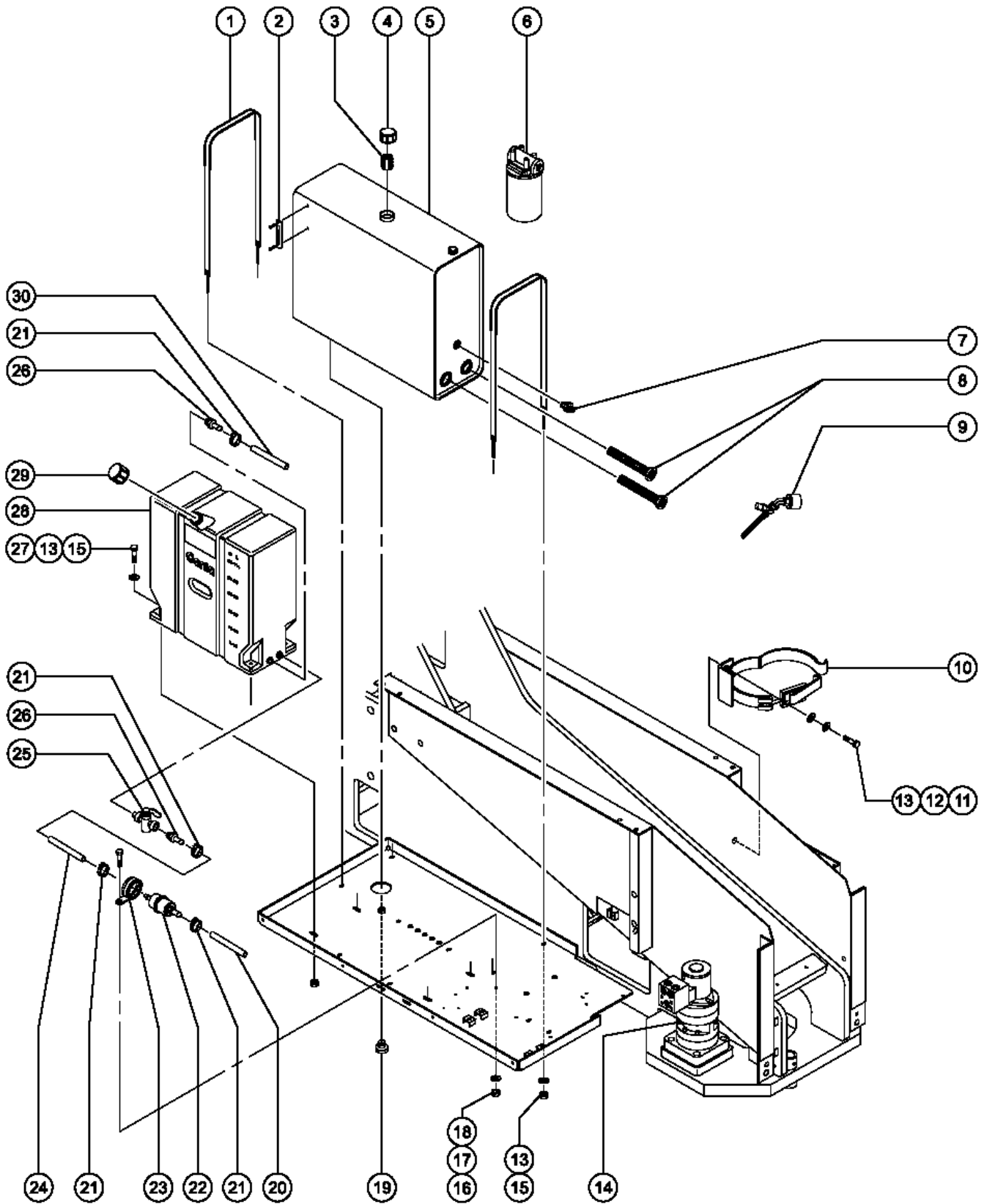
501.1 Hydraulic and Fuel Tanks - Gasoline/LPG



501.1 Hydraulic and Fuel Tanks - Gasoline/LPG

Item	Part No.	Description	Qty.
1	31524GT	STRAP ASSY,TANK, 66 INCH.....	2
--	31658GT	EXTRUSION,RUBBER BUMPER STRIP.....	2
2	21141GT	GAUGE-SIGHT,LHA-LGTB*** <i>includes mounting fasteners</i>	1
3	31506GT	STRAINER,FILLER NECK.....	1
4	53527GT	CAP,FILLER BREATHER,3 MICRON**.....	1
5	58211GT	HYDRAULIC TANK ASSY,S40/80*** <i>includes index numbers 2 - 4, 7, 8 and 19; to SN 4392</i>	1
--	58210GT	HYDRAULIC TANK ASSY,S40/80*** <i>includes index numbers 2 - 4, 7, 8 and 19; from SN 4393</i>	1
6	48470GT	FILTER ASSEMBLY W/IND L,PAPER.....	1
--	46014GT	FILTER,ELEMENT,BETA(6)=200.....	1
7	48922GT	CONN,520102-6-6.....	1
8	45161GT	STRAINER ASSEMBLY,1.5" NPT.....	2
9	25967GT	HOSE ASSEMBLY,LP GAS-86" LNG**.....	1
10	30711GT	LP.TANK BRKT WLDMT.,TALL..... <i>to SN 2021</i>	1
--	53120-SGT	LP.TANK BRACKET TALL WLDMNT..... <i>from SN 2022</i>	1
11	6175GT	SCREW,HHC,3/8-16 X 1.....	2
12	6021GT	WASHER,LOCK, .375.....	2
13	5397GT	WASHER,FLAT,USS,5/16",Y.....	11
14		Ref. Turntable Rotator (refer to Figure 507.1).....	11
15	4828GT	NUT,NYLOCK,3/8-16.....	11
16	6002GT	NUT,LP NYLOCK,5/16-18.....	1
17	6097GT	WASHER,FLAT,USS,3/8",Y.....	1
18	13002GT	SCREW,HHC,5/16-18 X 1 GR5.....	1
19	31507GT	PLUG,SQUARE HEAD,3/4 MPT.....	1
20	27089GT	HOSE,5/16 FUEL,SAE 30R7	
21	21465GT	CLAMP,HOSE,SIZE .25 TO .63.....	4
22	52179GT	FILTER, FUEL LRG 425/423 EFI.....	1
23	45455GT	CLAMP,2.75,#44 X 1/4,RUB CUSH*.....	1
24	27089GT	HOSE,5/16 FUEL,SAE 30R7	
25	19487GT	VALVE, FUEL LOCK.....	1
26	53023GT	FITTING,1/4 MPT 5/16 BARB.....	2
27	30584GT	GAUGE,FUEL,SIDE MOUNT.....	1
28	30179GT	TANK STRAP,BOLT STYLE,62".....	2
--	31658GT	EXTRUSION,RUBBER BUMPER STRIP.....	2
29	28829GT	CAP,FUEL,RED***	1
30	30546P-SGT	TANK,30 GALLON,PAINTED**.....	1
31	27089GT	HOSE,5/16 FUEL,SAE 30R7	

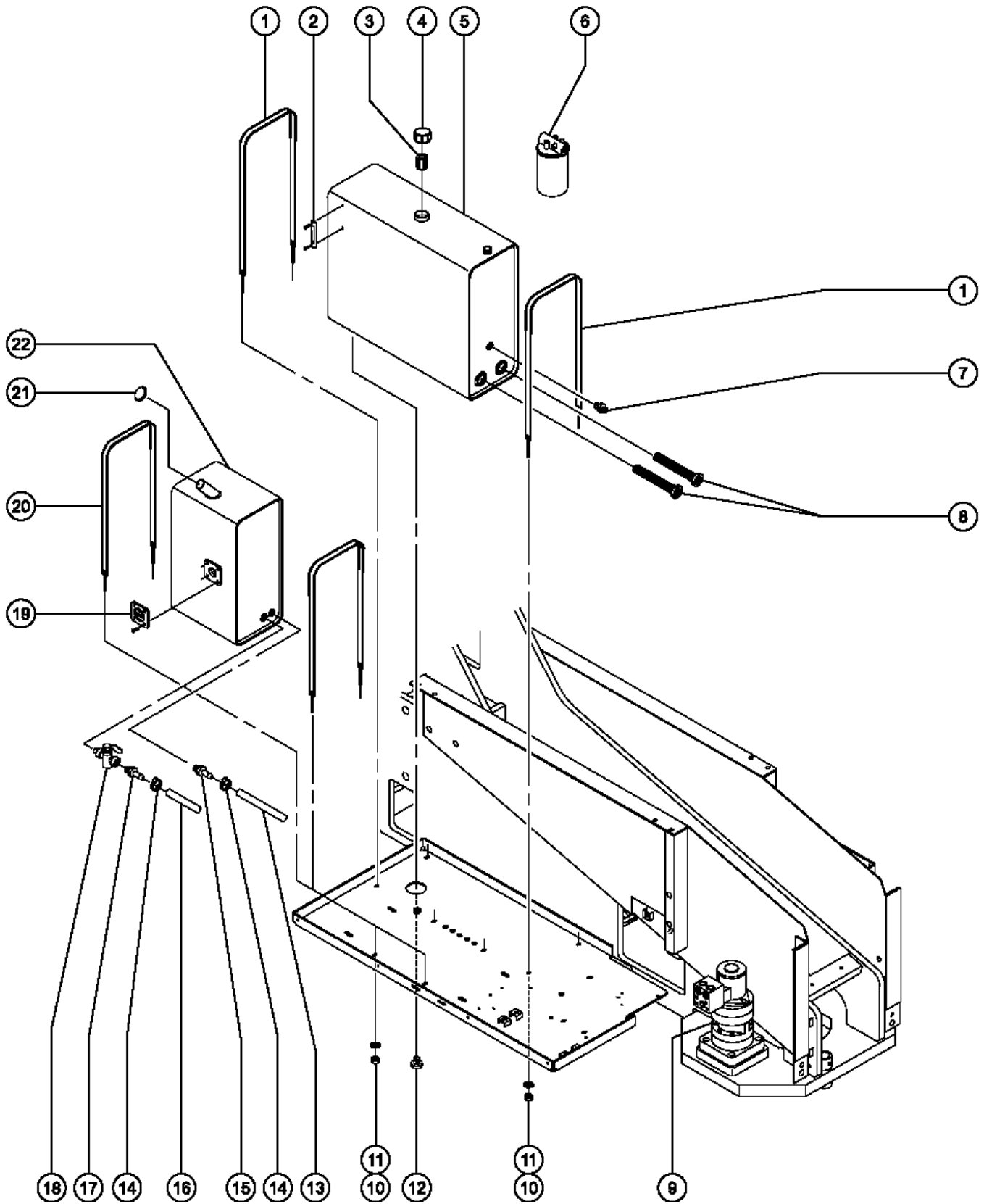
502.1 Hydraulic and Fuel Tanks - Gasoline/LPG



502.1 Hydraulic and Fuel Tanks - Gasoline/LPG

Item	Part No.	Description	Qty.
1	31524GT	STRAP ASSY,TANK, 66 INCH.....	2
--	31658GT	EXTRUSION,RUBBER BUMPER STRIP.....	2
2	21141GT	GAUGE-SIGHT,LHA-LGTB*** <i>includes mounting fasteners</i>	1
3	31506GT	STRAINER,FILLER NECK.....	1
4	53527GT	CAP,FILLER BREATHER,3 MICRON**.....	1
5	58211GT	HYDRAULIC TANK ASSY,S40/80*** <i>includes index numbers 2 - 4, 7, 8 and 19; to SN 4392</i>	1
--	58210GT	HYDRAULIC TANK ASSY,S40/80*** <i>includes index numbers 2 - 4, 7, 8 and 19; from SN 4393</i>	1
6	48470GT	FILTER ASSEMBLY W/IND L,PAPER.....	1
--	46014GT	FILTER,ELEMENT,BETA(6)=200.....	1
7	48922GT	CONN,520102-6-6.....	1
8	45161GT	STRAINER ASSEMBLY,1.5" NPT.....	2
9	25967GT	HOSE ASSEMBLY,LP GAS-86" LNG**.....	1
10	30711GT	LP.TANK BRKT WLDMT.,TALL..... <i>to SN 2021</i>	1
--	53120-SGT	LP.TANK BRACKET TALL WLDMNT..... <i>from SN 2022</i>	1
11	6175GT	SCREW,HHC,3/8-16 X 1.....	2
12	6021GT	WASHER,LOCK, .375.....	2
13	5397GT	WASHER,FLAT,USS,5/16",Y.....	7
14		Ref. Turntable Rotator (refer to Figure 507.1).....	7
15	4828GT	NUT,NYLOCK,3/8-16.....	7
16	6002GT	NUT,LP NYLOCK,5/16-18.....	1
17	6097GT	WASHER,FLAT,USS,3/8",Y.....	1
18	13002GT	SCREW,HHC,5/16-18 X 1 GR5.....	1
19	31507GT	PLUG,SQUARE HEAD,3/4 MPT.....	1
20	27089GT	HOSE,5/16 FUEL,SAE 30R7	
21	21465GT	CLAMP,HOSE,SIZE .25 TO .63.....	4
22	52179GT	FILTER, FUEL LRG 425/423 EFI.....	1
23	45455GT	CLAMP,2.75,#44 X 1/4,RUB CUSH*.....	1
24	27089GT	HOSE,5/16 FUEL,SAE 30R7	
25	19487GT	VALVE, FUEL LOCK.....	1
26	53023GT	FITTING,1/4 MPT 5/16 BARB.....	2
27	8178GT	SCREW,HHC,3/8-16 X 2.5.....	4
28	73593GT	FUEL TANK,H/D PLASTIC W/DECAL*.....	1
29	101727GT	CAP,FUEL,GAS,1/8" VENT(RED).....	1
30	27089GT	HOSE,5/16 FUEL,SAE 30R7	

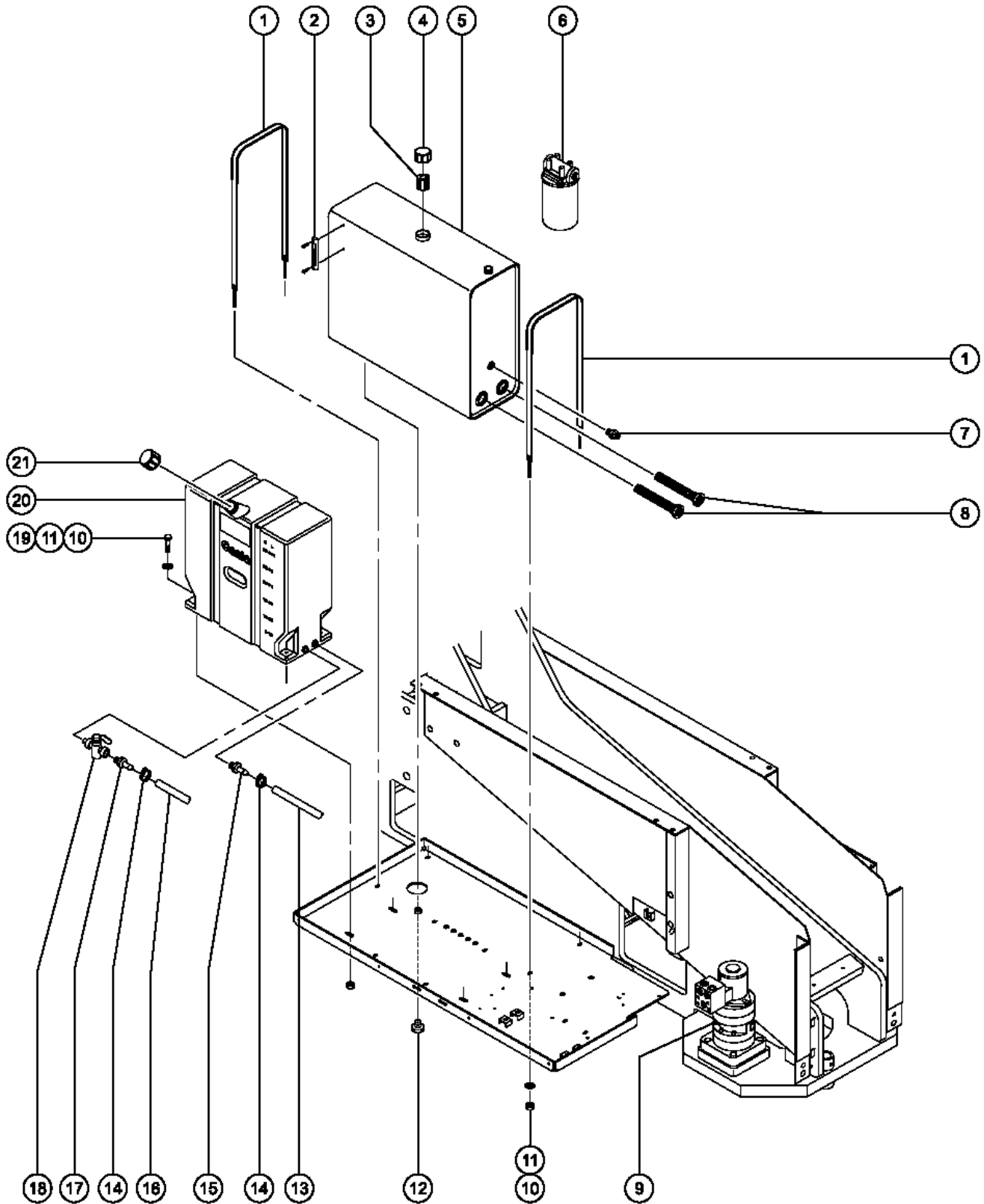
503.1 Hydraulic and Fuel Tanks - Diesel



503.1 Hydraulic and Fuel Tanks - Diesel

Item	Part No.	Description	Qty.
1	31524GT	STRAP ASSY,TANK, 66 INCH.....	2
--	31658GT	EXTRUSION,RUBBER BUMPER STRIP.....	2
2	21141GT	GAUGE-SIGHT,LHA-LGTB*** <i>includes mounting fasteners</i>	1
3	31506GT	STRAINER,FILLER NECK.....	1
4	53527GT	CAP,FILLER BREATHER,3 MICRON**.....	1
5	58211GT	HYDRAULIC TANK ASSY,S40/80*** <i>includes index numbers 2 - 4, 7, 8 and 19; to SN 4392</i>	1
--	58210GT	HYDRAULIC TANK ASSY,S40/80*** <i>includes index numbers 2 - 4, 7, 8 and 19; from SN 4393</i>	1
6	48470GT	FILTER ASSEMBLY W/IND L,PAPER.....	1
--	46014GT	FILTER,ELEMENT,BETA(6)=200.....	1
7	48922GT	CONN,520102-6-6.....	1
8	45161GT	STRAINER ASSEMBLY,1.5" NPT.....	2
9		Ref. Turntable Rotator (refer to Figure 507.1).....	2
10	4828GT	NUT,NYLOCK,3/8-16.....	8
11	5397GT	WASHER,FLAT,USS,5/16",Y.....	8
12	31507GT	PLUG,SQUARE HEAD,3/4 MPT.....	1
13	30490GT	HOSE,1/4 FUEL LINE,SAE 30R7	
14	21465GT	CLAMP,HOSE,SIZE .25 TO .63.....	2
15	29137GT	HOSE END,MALE.25 X .25 MPT***.....	1
16	27089GT	HOSE,5/16 FUEL,SAE 30R7	
17	53023GT	FITTING,1/4 MPT 5/16 BARB.....	1
18	19487GT	VALVE, FUEL LOCK.....	1
19	30584GT	GAUGE,FUEL,SIDE MOUNT.....	1
20	30179GT	TANK STRAP,BOLT STYLE,62".....	2
--	31658GT	EXTRUSION,RUBBER BUMPER STRIP.....	2
21	25567GT	CAP,FUEL,GREEN*.....	1
22	30546P-SGT	TANK,30 GALLON,PAINTED**.....	1

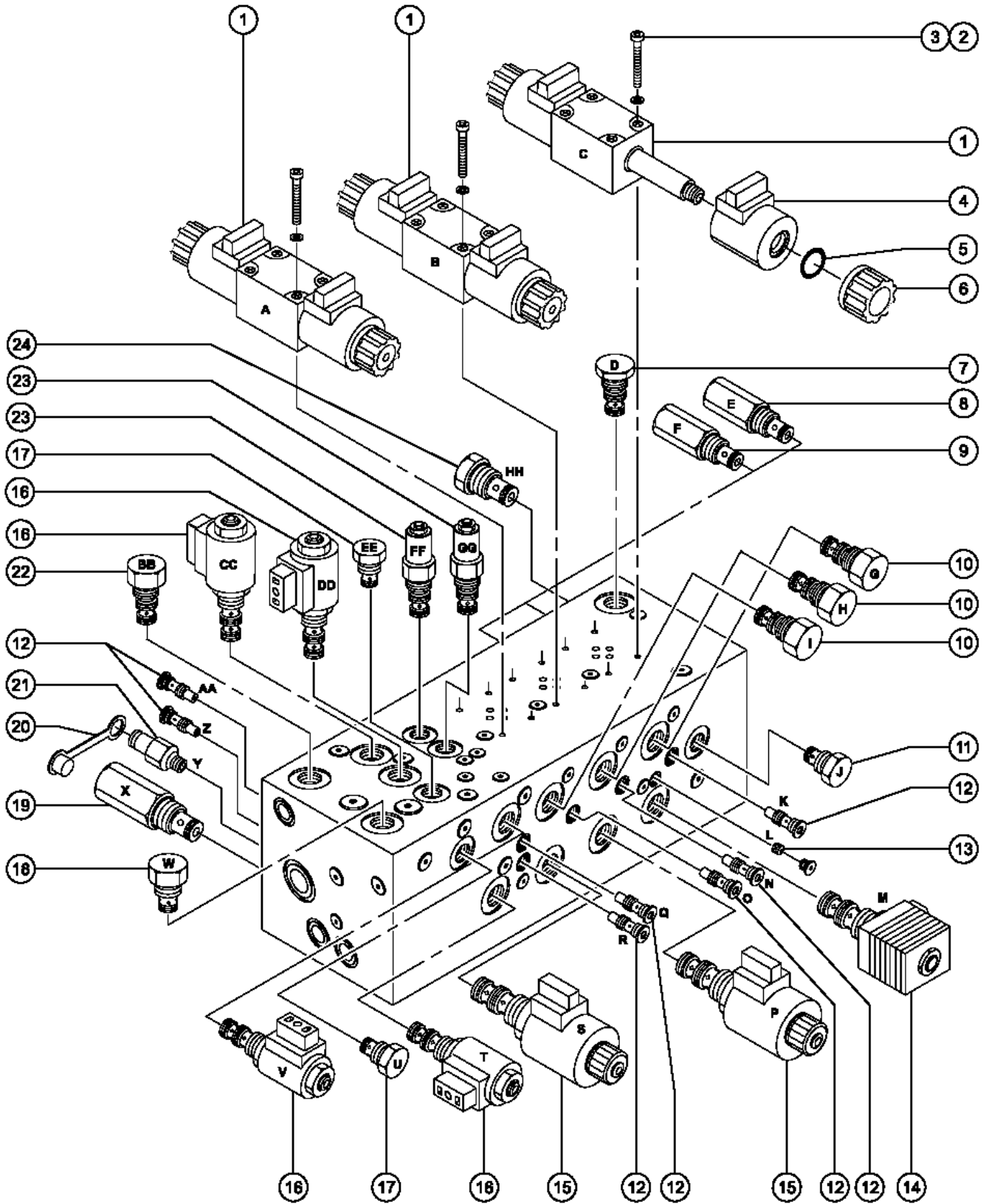
504.1 Hydraulic and Fuel Tanks - Diesel



504.1 Hydraulic and Fuel Tanks - Diesel

Item	Part No.	Description	Qty.
1	31524GT	STRAP ASSY,TANK, 66 INCH.....	2
2	21141GT	GAUGE-SIGHT,LHA-LGTB***..... <i>includes mounting fasteners</i>	1
3	31506GT	STRAINER,FILLER NECK.....	1
4	53527GT	CAP,FILLER BREATHER,3 MICRON**.....	1
5	58211GT	HYDRAULIC TANK ASSY,S40/80***..... <i>includes index numbers 2 - 4, 7, 8 and 12; to SN 4392</i>	1
--	58210GT	HYDRAULIC TANK ASSY,S40/80***..... <i>includes index numbers 2 - 4, 7, 8 and 12; from SN 4393</i>	1
6	48470GT	FILTER ASSEMBLY W/IND L,PAPER.....	1
--	46014GT	FILTER,ELEMENT,BETA(6)=200.....	1
7	48922GT	CONN,520102-6-6.....	1
8	45161GT	STRAINER ASSEMBLY,1.5" NPT.....	2
9		Ref. Turntable Rotator (refer to Figure 507.1).....	2
10	4828GT	NUT,NYLOCK,3/8-16.....	8
11	5397GT	WASHER,FLAT,USS,5/16",Y.....	8
12	31507GT	PLUG,SQUARE HEAD,3/4 MPT.....	1
13	30490GT	HOSE,1/4 FUEL LINE,SAE 30R7	
14	21465GT	CLAMP,HOSE,SIZE .25 TO .63.....	2
15	29137GT	HOSE END,MALE.25 X .25 MPT***.....	1
16	27089GT	HOSE,5/16 FUEL,SAE 30R7	
17	53023GT	FITTING,1/4 MPT 5/16 BARB.....	1
18	19487GT	VALVE, FUEL LOCK.....	1
19	8178GT	SCREW,HHC,3/8-16 X 2.5.....	4
20	73593GT	FUEL TANK,H/D PLASTIC W/DECAL*.....	1
21	101726GT	CAP,FUEL,DIESEL,1/8" VENT(GRN).....	1

505.1 Function Manifold



505.1 Function Manifold

Item	Part No.	Description	Qty.	Item	Part No.	Description	Qty.
A		D03 Valve <i>Turntable Rotate Left/Right</i>		Y		Diagnostic Nipple <i>Testing</i>	
B		D03 Valve <i>Boom Up/Down</i>		Z		Check Valve <i>Differential Sensing Circuit, Platform Rotate Left</i>	
C		D03 Valve <i>Boom Extend/Retract</i>		AA		Check Valve <i>Differential Sensing Circuit, Platform Rotate Right</i>	
D		Check Valve <i>Boom Extend/Retract Circuit</i>		BB		Flow Regulator, 2.0 gpm (without oscillating axle OR 3.5 gpm with oscillating axle) <i>Steer Circuit</i>	
E		Relief Valve <i>Boom Extend</i>		CC		Solenoid Valve <i>Platform Rotate Left</i>	
F		Relief Valve <i>Boom Down</i>		DD		Solenoid Valve <i>Platform Rotate Right</i>	
G		Differential. Sensing, 150 psi <i>Boom Extend/Retract Circuit</i>		EE		Flow Regulator, 0.6 gpm <i>Platform Rotate Circuit</i>	
H		Differential Sensing, 150 psi <i>Boom Up/Down Circuit</i>		FF		Counterbalance Valve <i>Platform Level Up</i>	
I		Differential Sensing, 150 psi <i>Turntable Rotate Left/Right</i>		GG		Counterbalance Valve <i>Platform Level Down</i>	
J		Flow Regulator, 0.1 gpm <i>Bleeds off Differential Sensing Valve to Tank</i>		HH		Check Valve <i>Boom Extend/Retract Circuit</i>	
K		Check Valve <i>Differential Sensing Circuit, Boom Extend/Retract</i>		--	146176GT	MANIFOLD,MULTI-FUNCTION S40 to SN 5641	
L		Plug - Orifice 0.140 inch <i>Boom Extend/Retract Circuit</i>		--	146177GT	MANIFOLD,MLTI-FUNCTION,S40/45 from SN 5642	
M		Proportional Solenoid Valve <i>Boom Extend/Retract</i>		--	28750GT	O-RING KIT,FIELD SVC,ALL PROD*	
N		Check Valve <i>Differential Sensing Circuit, Boom Up/Down</i>		--	33994GT	PLUG AND CAP KIT-SERVICE,37 **	
O		Check Valve <i>Differential Sensing Circuit, Turntable Rotate</i>		--	49612GT	O-RING KIT (ORFS FITTINGS)	
P		Proportional Solenoid Valve <i>Boom Up/Down</i>		--	49613GT	PLUG AND CAP KIT-SERVICE,ORFS*	
Q		Check Valve <i>Differential Sensing Circuit, Platform Level Up</i>		--	65879GT	O-RING KIT(41769) SQ.CUT D03 <i>This kit reports to all D01&D03 valves</i>	
R		Check Valve <i>Differential Sensing Circuit, Platform Level Down</i>		1	146165GT	VALVE KIT,D03.....3 <i>includes two each of index numbers 4, 5, and 6. kit comes with two inch screws, if customer needs four inch screws refer to 40617.</i>	
S		Proportional Solenoid Valve <i>Turntable Rotate</i>		2	43255GT	SCREW,SHC,10-24 X 2.....12	
T		Solenoid Valve <i>Platform Level Up</i>		3	6607GT	WASHER,LOCK,#10 PLTD.....12	
U		Flow Regulator, 0.6 gpm <i>Platform Level Circuit</i>		4	223763GT	COIL WITH DE CONNECTOR.....6 <i>Previous coil part 41771 is no longer available, must upgrade original valve with a newer valve part 146165.</i>	
V		Solenoid Valve <i>Platform Level Down</i>		5	48648GT	O-RING, D03 COIL.....6	
W		Differential Sensing Valve <i>Meters Flow to Functions</i>		6	48649GT	NUT-D03 COIL.....6	
X		Relief Valve <i>System Relief</i>		7	33511GT	VALVE,CHECK,PILOT OPERATED.....1	
				8	52416GT	VALVE,RELIEF,1950 PSI,S40.....1	
				9	52415GT	VALVE,RELIEF,2200 PSI***.....1	
				10	27802GT	VALVE,DIFFERENTIAL SENSING***.....3	

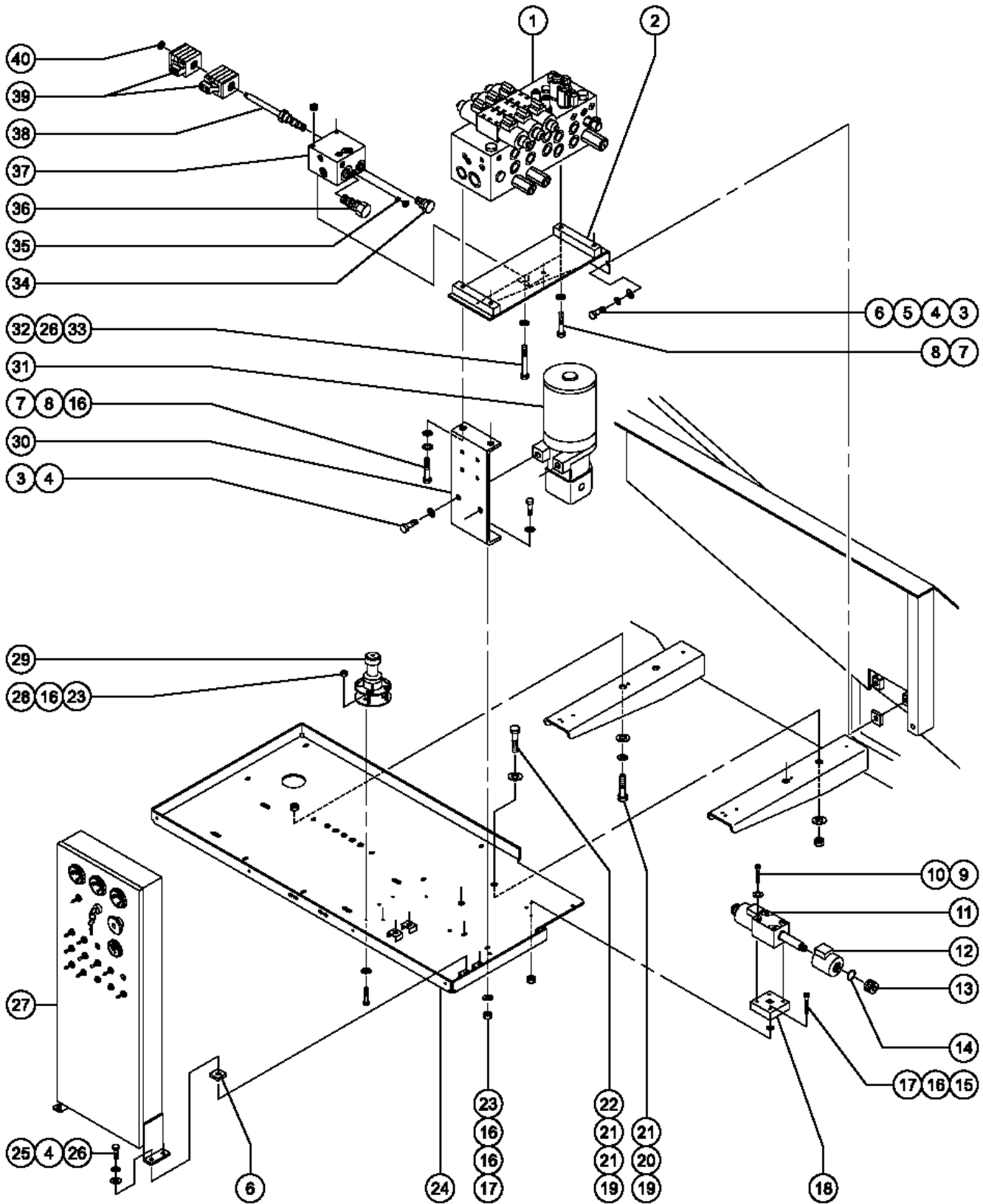


505.1 Function Manifold (continued)

Item	Part No.	Description	Qty.
11	32975GT	VALVE,FLOW REGULATOR 0.1 GPM.....1	1
12	27807GT	VALVE,CHECK***.....7	7
13	52417GT	ORIFICE PLUG, .140.....1	1
14	27832GT	VALVE,SOLENOID,V2470DRT.....1 <i>includes the coil and nut; to SN 5641</i>	1
--	22813GT	COIL, 12V.19970,19971.....1 <i>to SN 5641</i>	1
--	45912GT	NUT,SOLENOID VALVE 2P3W.....1	1
--	65518GT	VALVE,SOLENOID,V2470DRT.....1 <i>includes the coil and nut; from SN 5642</i>	1
--	81044GT	COIL,SOLENOID,10DSD 10V,W/DIOD...1 <i>from SN 5642</i>	1
15	27801GT	VALVE,PROPORTIONAL SOLENOID***.....2	2
--	21935GT	COIL, 12V, 19972/21623/29069.....2	2
--	45914GT	O-RING, DO1 VALVE.....2	2
--	45921GT	RETAINER-N.C.PROPOR.SOLENOID....2	2
16	48642GT	VALVE-SOLENOID, 2POS,3WAY,10V....4 <i>includes the coil and nut; to SN 5641</i>	4
--	27814GT	COIL,SOLENOID,10V.....4 <i>to SN 5641</i>	4
--	45912GT	NUT,SOLENOID VALVE 2P3W.....4	4
--	81043GT	COIL,SOLENOID,8 DSD 10V,W/DIO*....4 <i>from SN 5642</i>	4
--	84128GT	SOLENOID VALVE, GS-3384.....4 <i>includes the coil and nut</i>	4
17	31100GT	VALVE,FLOW REGULATOR 0.6GPM....2	2
18	27804GT	VALVE,DIFFERENTIAL SENSING***.....1	1
19	102616GT	VALVE,RELIEF 2900 PSI.....1	1
20	48880GT	CAP,DIAGNOSTIC NIPPLE.....1	1
21	48997GT	NIPPLE,DIAGNOSTIC,#4.....1	1
--	20224GT	DIAGNOSTIC FEMALE Q-DSCNT.....1	1
22	30968GT	VALVE,FLOW REGULATOR 2.0 GPM....1 <i>non-oscillating models</i>	1
--	111705GT	VALVE,FLOW REGULATOR 3.5 GPM**.....1 <i>oscillating models</i>	1
23	48647GT	VALVE,COUNTERBALANCE,3500 PSI.....2	2
23A	58994GT	SEAL KIT,VALVE (48647) <i>for 48647</i>	
24	32725GT	VALVE,CHECK (30797).....1	1

This Page Intentionally Left Blank

506.1 Function Manifold and Auxiliary Power Unit Installation



506.1 Function Manifold and Auxiliary Power Unit Installation

Item	Part No.	Description	Qty.	Item	Part No.	Description	Qty.
1	146176GT	MANIFOLD,MULTI-FUNCTION S40.....1 <i>to SN 5641</i>	1	31A	89617GT	POWER UNIT,AUX PUMP 12VDC.....1 <i>complete, replaced older 32811, 53236 and 81071</i>	1
--	146177GT	MANIFOLD,MLTI-FUNCTION,S40/45.....1 <i>from SN 5642</i>	1	--	147289GT	SEAL KIT, APU <i>use with 89617</i>	
2	53122-SGT	WELDMENT,FUNCTION MANIFOLD MNT.....1	1	--	147290GT	SHAFT SEAL, APU <i>use with 89617</i>	
3	6019GT	SCREW,HHC,3/8-16 X 1.25 GRD 5.....8	8	--	58489GT	PUMP ASSY,AUX.POWER UNIT 89617 <i>use with 89617</i>	
4	6021GT	WASHER,LOCK,.375.....8	8	--	37187GT	SEAL KIT, 37185 PUMP.....1 <i>use with 81071; from SN 5973</i>	1
5	6097GT	WASHER,FLAT,USS,3/8",Y.....6	6	--	37192GT	COUPLER, PUMP / MOTOR (36179) <i>use with 81071; from SN 5973</i>	
6	29868GT	SPRING CLIP,3/8-16,.05-.20X.73,ZAG...6	6	--	62268GT	PUMP, AUX. POWER UNIT <i>use with 81071; from SN 5973</i>	
7	4266GT	SCREW,HHC,1/4-20 X 2.....4	4	--	62414GT	SEAL, SHAFT, 60511 APU <i>use with 81071; from SN 5973</i>	
8	6356GT	WASHER,LOCK,.25.....4	4	--	77069GT	MOTOR,12VDC,77066 <i>use with 81071 and 89617</i>	
9	45916GT	SCREW,SHC,10-24 X 1.250 (D01).....4	4	--	77071GT	SOLENOID,77066 <i>use with 81071 and 89617</i>	
10	6607GT	WASHER,LOCK,#10 PLTD.....4	4	--	62080GT	MOTOR,12V DC,APU (53236) <i>single terminal motor, use with 53236; to SN 5972</i>	
11	146160GT	VALVE KIT,D03.....1 <i>includes index numbers 12 through 14; non-oscillating models</i>	1	--	32948GT	COUPLER,PUMP TO MOTOR (32810) <i>use with 53236 and 32811; to 5972</i>	
12	223763GT	COIL WITH DE CONNECTOR.....1 <i>non-oscillating models; replaced 233763</i>	1	--	32949GT	MOTOR,12V DC (32810/32811)APU <i>dual terminal motor, use with 32811; to SN 5972</i>	
13	48649GT	NUT-D03 COIL.....1 <i>non-oscillating models</i>	1	--	32955GT	END HEAD, 32810 POWER UNIT <i>use with 53236 and 32811; to 5972</i>	
14	48648GT	O-RING, D03 COIL.....1 <i>non-oscillating models</i>	1	--	32959GT	BALL,CHECK (32810) <i>use with 53236 and 32811; to 5972</i>	
15	30444GT	SCREW,SHC,1/4-20 X 2.....4	4	--	32962GT	GASKET,0.0005,SILVER (32810) <i>use with 53236 and 32811; to 5972</i>	
16	6638GT	WASHER,FLAT,USS,1/4"Y.....14	14	--	32963GT	GASKET,0.001,AMBER (32810) <i>use with 53236 and 32811; to 5972</i>	
17	6091GT	NUT,NYLOCK,1/4-20.....6	6	--	32964GT	GASKET,0.00075,GOLD (32810) <i>use with 53236 and 32811; to 5972</i>	
18	24675GT	SUB PLATE (SPOOL VALVE).....1 <i>non-oscillating models</i>	1	--	32967GT	GASKET,PUMP TO DC MTR.(32810) <i>use with 53236 and 32811; to 5972</i>	
19	29883GT	SCREW,HHC,5/8-11 X 1.75 GRD.8.....3	3	--	33455GT	PUMP, AUX. POWER UNIT <i>use with 53236 and 32811; to 5972</i>	
20	6036GT	WASHER,LOCK,.625 PLTD.....1	1	32	49468GT	SCREW,HHC,5/16-18 X 3.25.....2	2
21	13064GT	WASHER,FLAT,.625 HARDENED.....5	5	33	6782GT	NUT,NYLOCK,5/16-18.....2	2
22	6024GT	NUT,NYLOCK,5/8-11.....2	2	34	45543GT	VALVE,CHECK, 50 PSI.....1 <i>oscillating models</i>	1
23	6888GT	SCREW,HHC,1/4-20 X 1.....4	4	35	32669GT	ORIFICE PLUG,.025 (30551).....1 <i>oscillating models</i>	1
24	30677GT	WELDMENT,HYD TANK MODULE.....1	1	36	33946GT	VALVE,FLOW REGULATOR 2 GPM.....1 <i>oscillating models</i>	1
25	6175GT	SCREW,HHC,3/8-16 X 1.....4	4				
26	5397GT	WASHER,FLAT,USS,5/16",Y.....8	8				
27		Ref. Ground Controls (refer to Figure 508.1).....8	8				
28	6889GT	NUT,LP NYLOCK,1/4-20.....2	2				
29	94077GT	SENSOR,LEVEL,4.5 DEG.....1	1				
--	1260218GT	HARNESS,TILT ALARM,12V <i>for CSA models only from SN 6092 to 7000</i>					
--	1264947GT	KIT, LEVEL SENSOR, 6 PIN CONN. <i>For ANSI/CSA models with 6-pin wire harness connector, includes instructions</i>					
30	30718P-SGT	BRACKET,AUX.PUMP MNT.PAINTED....1	1				

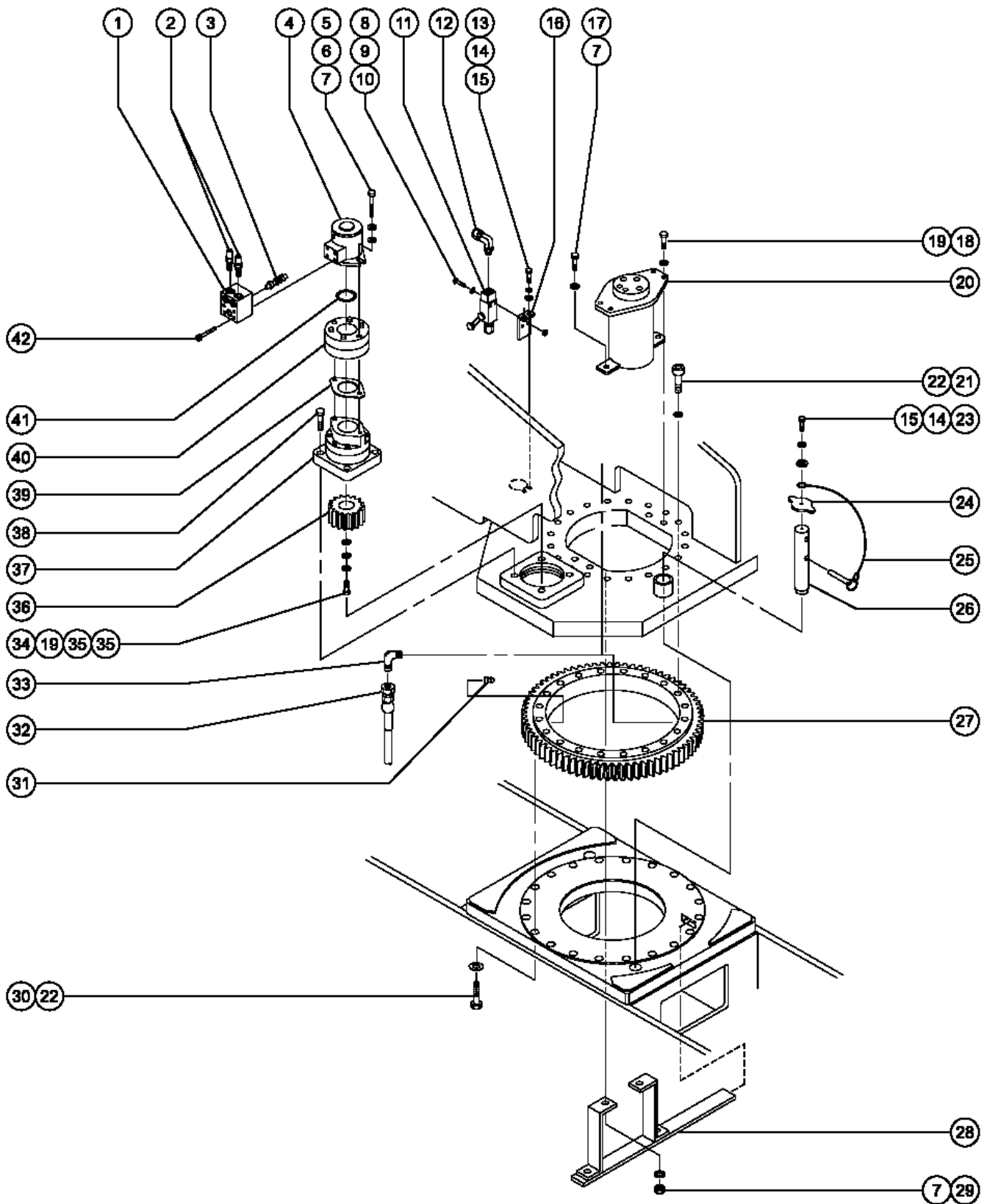
506.1 Function Manifold and Auxiliary Power Unit Installation (continued)

Item	Part No.	Description	Qty.
37	49036GT	MANIFOLD,STR/OSC. S40.....1 <i>includes index numbers 34 through 36 and 38 through 40; oscillating models; Complete to SN 5641</i>	
--	81030GT	MANIFOLD,STR/OSC, S40.....1 <i>includes index numbers 34 through 36 and 38 through 40; oscillating models; Complete from SN 5642</i>	
38	48684GT	VALVE, SOLENOID, 10V.....1 <i>includes index numbers 39 and 40; oscillating models; to SN 5641</i>	
--	43609GT	VALVE,SOLENOID 3P4W.....1 <i>includes index numbers 39 and 40; oscillating models; from SN 5642</i>	
39	29744GT	COIL,10V.....2 <i>oscillating models; to SN 5641</i>	
--	81044GT	COIL,SOLENOID,10DSD 10V,W/DIOD...2 <i>oscillating models; from SN 5642</i>	
40	52943GT	NUT,SOLENOID VALVE COIL.....1 <i>oscillating models</i>	

506.1 Function Manifold and Auxiliary Power Unit Installation
(continued)

This Page Intentionally Left Blank

507.1 Turntable Rotator and Hydraulic Rotary Coupler Installation



507.1 Turntable Rotator and Hydraulic Rotary Coupler Installation

Item	Part No.	Description	Qty.	Item	Part No.	Description	Qty.
1	102680GT	MANIFOLD,TURNTABLE ROTATION*** <i>includes index numbers 2 and 3</i>	1	--	T106956GT	SEAL,O-RING,SQUARE <i>from 1424 to 5993</i>	
2	40983GT	VALVE,COUNTERBALANCE,1500 PSI..... <i>for manifold 81366</i>	2	--	T106960GT	SEAL, CAP <i>from 1424 to 5993</i>	
3	45483GT	VALVE,SHUTTLE*** <i>for manifold 81366</i>	1	21	45495GT	SCREW,SHC,5/8-11 X 3.00,A574.....	20
4	58958GT	MOTOR,SWING DRIVE (53147).....	1	22	13064GT	WASHER,FLAT,.625 HARDENED.....	40
--	62081GT	SEAL KIT, 58958 SWING MOTOR.....	1	23	7339GT	SCREW, HHC, 1/4-20 X .5..... <i>to SN 5489</i>	1
--	75684GT	MOTOR,TURNTABLE ROTATION*** <i>for TT swing drive 89885</i>		--	6090GT	SCREW,HHC,1/4-20 X .75..... <i>from SN 5490</i>	1
--	75685GT	SEAL KIT,MOTOR TURNTABLE*** <i>for TT swing drive 89885</i>		24	73894GT	PLATE,PIN RETAINER..... <i>from SN 5490 to 6207</i>	1
5	7261GT	SCREW,HHC,1/2-13 X 5 BLACK.....	2	--	89064GT	PLATE,PIN RETAINER..... <i>from SN 6208</i>	1
6	6033GT	WASHER,LOCK,0.5".....	2	25	11637GT	PIN ASSY, RETAINER, SS I & II.....	1
7	13066GT	WASHER,FLAT,5 HARDENED.....	6	26	32731GT	PIN ASSEMBLY,TURNTBLE ROTATION.....	1
8	22541GT	SCREW,RHM,10-32 X 1.5.....	2	27	111648GT	BEARING,SERIES 3000.....	1
9	6607GT	WASHER,LOCK,#10 PLTD.....	2	28	49457-SGT	WLDMT.HYD.,SWIVEL MNT.,S40.....	1
10	6178GT	NUT,NYLOCK,10-32.....	2	29	6198GT	NUT,NYLOCK,1/2-13.....	2
11	34961GT	SWITCH,LIMIT,W/ROLLER ARM.....	1	30	21175GT	SCREW,SHC,5/8-11 X 4,A574.....	20
--	19491GT	CONTACTOR,LIMIT SWITCH.....	1	31	28646GT	ZERK,GREASE,1/8 NPT.....	1
--	27643GT	ROLLER ARM-LIMIT SWITCH.....	1	32	49176-2779GT	HOSE ASSEMBLY,1/4".....	1
12	29382GT	CONN. SQZ,1/2NPT .38-.50,90DEG.....	1	33	48887GT	ELBOW,90D, 070202-4.....	1
13	6090GT	SCREW,HHC,1/4-20 X .75.....	2	34	6175GT	SCREW,HHC,3/8-16 X 1.....	1
14	6356GT	WASHER,LOCK,.25.....	3	35	24039GT	WASHER,3/8 PLATE (3/8X2X3/16TK.....	1
15	6638GT	WASHER,FLAT,USS,1/4"Y.....	3	36	75677GT	SHAFT,OUTPUT,PINION,TURNTABLE <i>for TT swing drive 89885</i>	
16	30783P-SGT	LIMIT SWITCH BRKT,DRIVE,PAINT.....	1	--	31493GT	PINION GEAR <i>for torque hub 94920</i>	
17	6096GT	SCREW,HHC,1/2-13 X 2 GR5.....	2	37	89885GT	SWING DRIVE ASSEMBLY,S40/Z60**	
18	6019GT	SCREW,HHC,3/8-16 X 1.25 GRD 5.....	4	--	58916GT	SEAL,SHAFT..... <i>for torque hub 94920</i>	1
19	6021GT	WASHER,LOCK,.375.....	4	--	94920GT	TORQUE HUB-SWING*** <i>not part to 89885; to SN 6029</i>	1
20	44367GT	HYD SWIVEL,7 PORT,S40/60..... <i>to SN 1423</i>	1	38	19418GT	SCREW,SHC,5/8-11 X 1.75..... <i>to SN 5369</i>	4
--	44341PGT	BAR,HYD.SWIVEL MOUNT PAINTED <i>to SN 1423</i>		--	73860GT	SCREW,SHC,5/8-11X1.75 GR 5 ZIN..... <i>from SN 5370</i>	4
--	44611GT	SEAL KIT,SWIVEL (44367) <i>to SN 1423</i>		39	52087GT	O-RING,2-044 BUNA*** <i>for TT swing drive 34425</i>	1
--	48542GT	HYDRAULIC SWIVEL,7 PORT,S40..... <i>from 1424 to 5993</i>	1	--	43683GT	O-RING,2-042 N674-70*** <i>for TT swing drive 89885</i>	
--	49529GT	SEAL KIT,SWIVEL (48542) <i>from 1424 to 5993</i>		40	75686GT	BRAKE ASSEMBLY,TURNTABLE ROT** <i>for TT swing drive 89885</i>	
--	73895GT	HYDRAULIC SWIVEL,9 PORT*** <i>from SN 5994</i>	1	--	29291GT	SEAL KIT,MICO..... <i>for brake Mico 41915</i>	1
--	75466GT	SEAL KIT,SWIVEL (73895) <i>from SN 5994</i>		--	31500GT	BEARING KIT,MICO..... <i>for brake Mico 41915</i>	1
--	T106954GT	SEAL, O-RING LIP <i>from 1424 to 5993</i>					
--	T106955GT	SEAL, POLY, CHAMFER <i>from 1424 to 5993</i>					

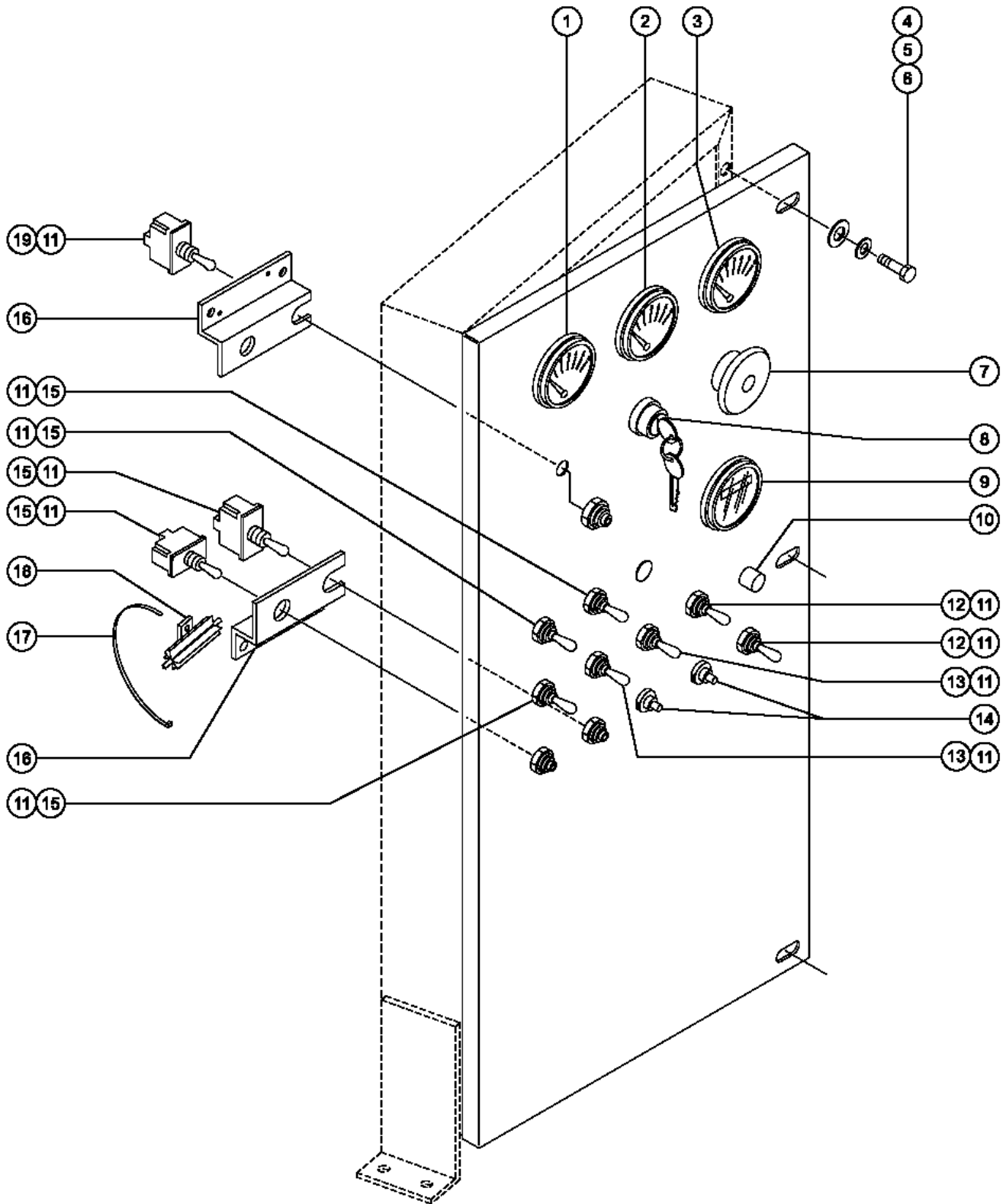
507.1 Turntable Rotator and Hydraulic Rotary Coupler Installation (continued)

Item	Part No.	Description	Qty.
--	31502GT	SPRING KIT,MICO.....1 <i>for brake Mico 41915</i>	1
--	58915GT	LINING REPAIR KIT (41915).....1	1
--	62466GT	SEAL KIT,BRAKE,TURNTABLE ROT** <i>for brake 75686</i>	
--	65608GT	BEARING KIT, AUSCO*** <i>for brake 73918</i>	
--	73918GT	BRAKE,SWING,2800 IN/LB	
--	75658GT	LINING KIT,AUSCO (73918)***	
--	75659GT	SEAL KIT, AUSCO (73918)	
--	75682GT	DISC KIT DRIVE TURNTABLE Z-60* <i>for brake 75686</i>	
--	75683GT	SPRING,DRIVE TURNTABLE*** <i>for brake 75686</i>	
41	22811GT	O-RING,MOTOR TO BRAKE***.....1 <i>for 34425; measures approx 4" x 0.10"</i>	1
42	37929GT	SCREW,SHS,5/16-18 X 3.25.....4 <i>to SN 6029</i>	4
--	41489GT	SCREW,SHC,5/16-18 X 2,PLATED <i>for TT swing drive 89885</i>	

507.1 Turntable Rotator and Hydraulic Rotary Coupler Installation
(continued)

This Page Intentionally Left Blank

508.1 Ground Controls - View 1



508.1 Ground Controls - View 1

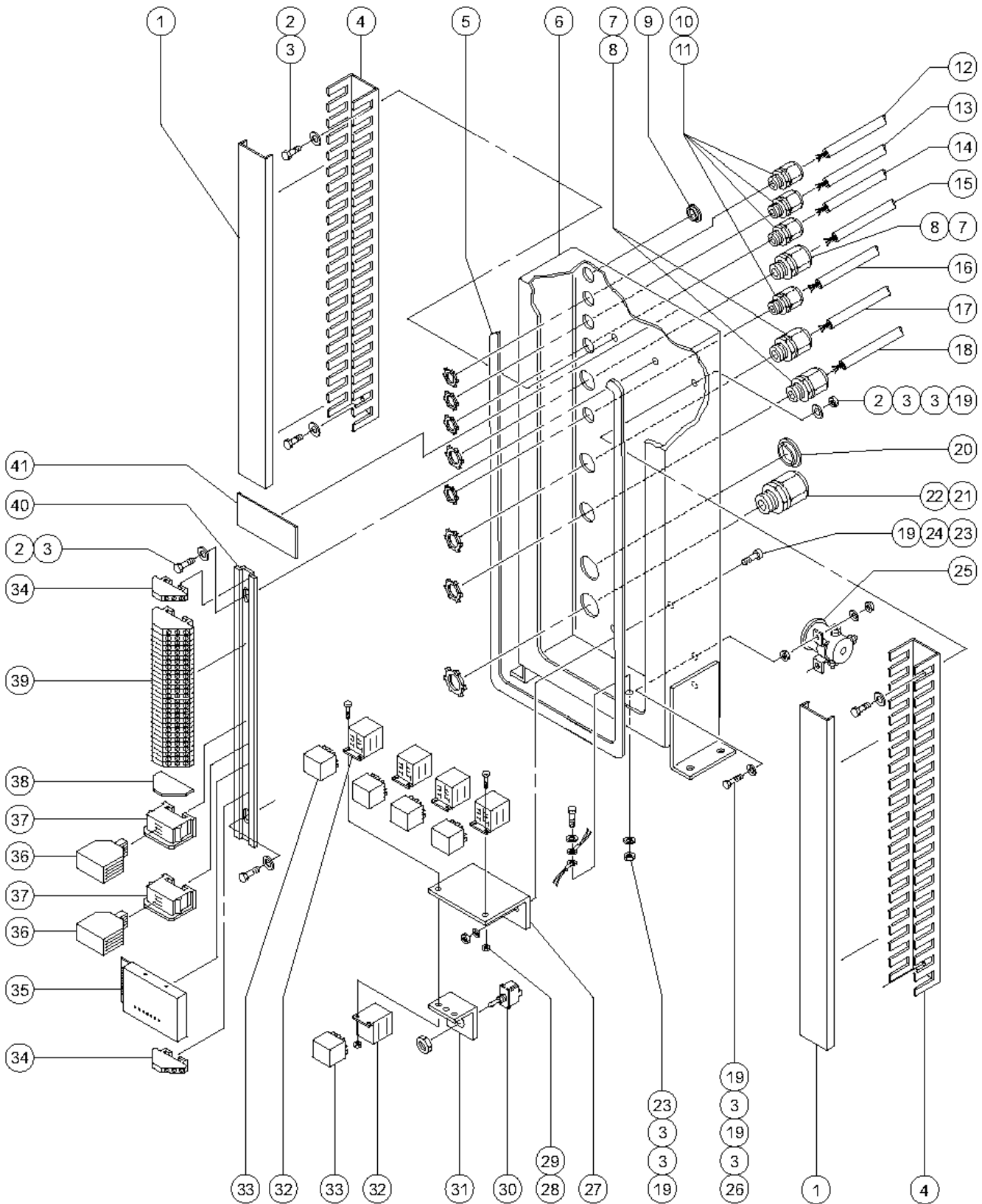
Item	Part No.	Description	Qty.
1	53759-SGT	GAUGE,WATER TEMP.....1 <i>includes mounting bracket and fasteners; Gasoline/LPG models</i>	1
--	53760-SGT	GAUGE,OIL TEMP.....1 <i>includes mounting bracket and fasteners; Diesel models</i>	1
2	53758-SGT	GAUGE,OIL PRESSURE W/O SENDER.....1 <i>includes mounting bracket and fasteners</i>	1
3	53761-SGT	GAUGE,VOLTAGE.....1 <i>includes mounting bracket and fasteners</i>	1
4	6090GT	SCREW,HHC,1/4-20 X .75.....3	3
5	6356GT	WASHER,LOCK,.25.....3	3
6	6638GT	WASHER,FLAT,USS,1/4"Y.....3	3
7	122514GT	KIT,ESTOP SVC BB&SM BOOM.....1 <i>includes parts 66812, 66818 and 66821</i>	1
--	146478GT	BOOT(BELLOWS),E-STOP,BLACK	
--	66812GT	BUTTON,PUSH,RED MUSHROOM HEAD.....1	1
--	66818GT	CONTACT,NC.....1	1
--	66821GT	BASE,WITHOUT CONTACTS.....1	1
8	122512GT	KIT,KEYSWITCH SVC BB & SM BOOM.....1 <i>includes parts 66811, 66821, 66816 and 122366</i>	1
--	122366GT	KEYSWITCH,CONTACTS LOCK.....1	1
--	66811GT	KEYSWITCH,3POS.MNTND.DR WKEY**.....1 <i>includes keyswitch and two keys, not included: base or contacts.</i>	1
--	66816GT	CONTACT,N.O.***.....1	1
--	66821GT	BASE,WITHOUT CONTACTS.....1	1
9	19506GT	HOUR METER,10-80 VOLTS***.....1 <i>includes mounting bracket</i>	1
10	824879GT	LIGHT,LED IND. RED 12V NH.....1 <i>Gasoline/LPG models</i>	1
--	1	1
--	128200GT	SWITCH TOGGLE ASSY SPDT 3P MOM.....1	1
11	27246GT	BOOT,TOGGLE SWITCH,SHORT*.....9 1	9
12	128200GT	SWITCH TOGGLE ASSY SPDT 3P MOM.....3 1 <i>includes mounting fasteners</i>	3
--	54692GT	SPACER,NYLON,.718 X .526 X.219.....3 1	3
13	128204GT	SWITCH TOGGLE ASSY SPDT 2P MNT.....2 <i>includes mounting fasteners; Gasoline/LPG Models</i>	2

Item	Part No.	Description	Qty.
--	229567GT	PLUG, SANTOPRENE .5 BLACK DOME.....2 <i>Diesel models</i>	2
--	54692GT	SPACER,NYLON,.718 X .526 X.219.....2	2
14	147094GT	ASSY, CIRCUIT BREAKER 15A.....2 <i>includes mounting fasteners</i>	2
15	128202GT	SWITCH TOGGLE ASSY DPDT 3P MOM.....5 <i>includes mounting fasteners</i>	5
--	54692GT	SPACER,NYLON,.718 X .526 X.219.....5	5
16	53820GT	BRACKET, PANEL WIRE MOUNTING....2	2
17	21121GT	CABLE TIE,4" BLK,HEAT RESISTNT....2	2
18	27287GT	RESISTOR,10 OHM,25 WATT.....1	1
19	128201GT	SWITCH TOGGLE ASSY DPDT 2P MOM.....1 <i>includes mounting fasteners</i>	1

Footnotes

1: Quantity listed may not reflect specific model configuration requirements.

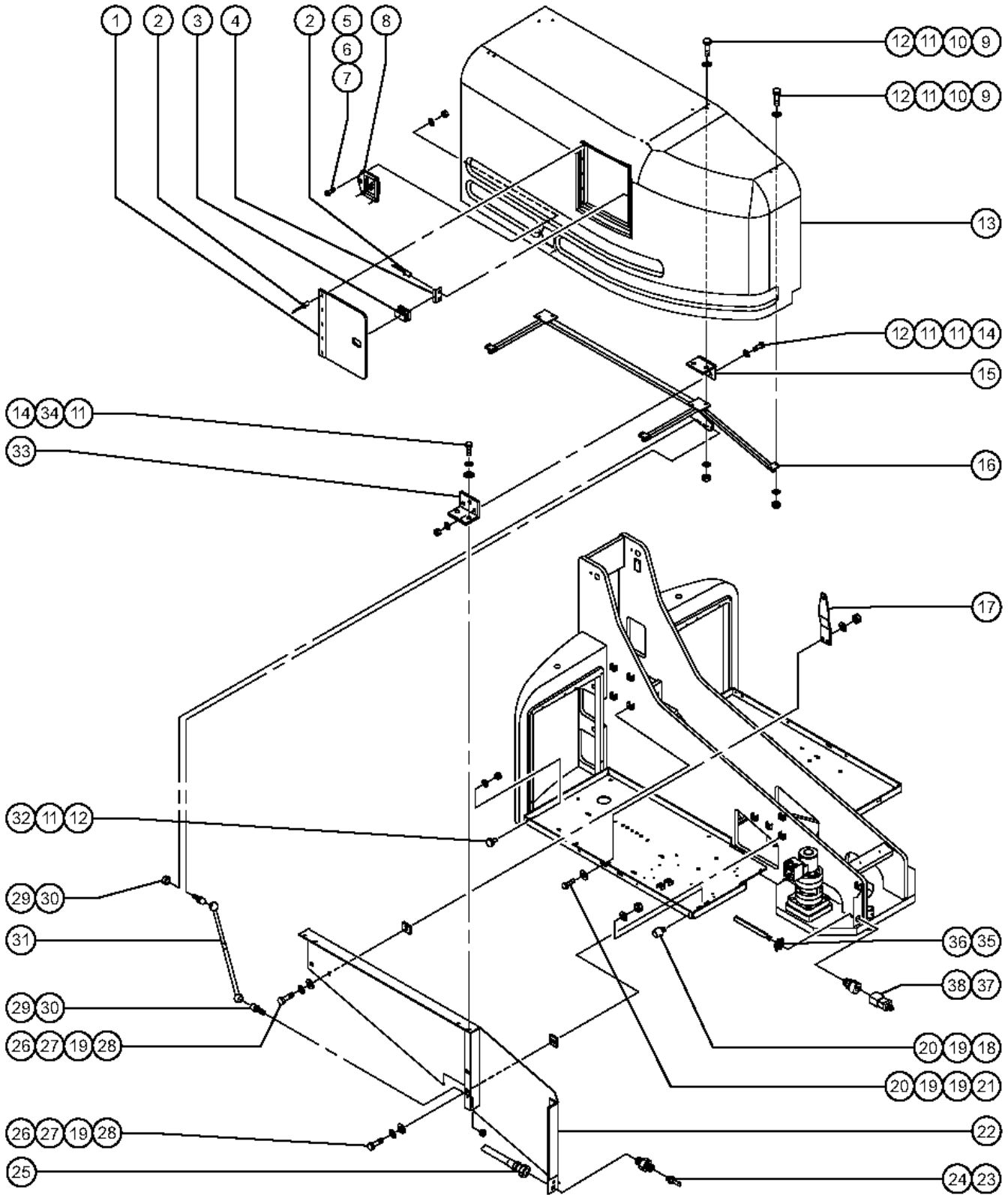
509.1 Ground Controls - View 2



509.1 Ground Controls - View 2

Item	Part No.	Description	Qty.	Item	Part No.	Description	Qty.
--	33996GT	SCREWDRIVER,TERMINAL BLOCK		31	49743GT	BRACKET,TOGGLE SWITCH.....	1
--	88832GT	HARNESS,PLUG,NON-LOAD WEIGHING		32	34053GT	ASSY,RELAY SOCKET, AUTO.....	4
1	1262218GT	COVER, DUCT, WIRING.....	2			<i>Gasoline/LPG models; terminals not included</i>	
		<i>replaced 28299</i>		--	34053GT	ASSY,RELAY SOCKET, AUTO.....	4
2	8914GT	SCREW,HHC,1/4-20 X .625.....	7			<i>Diesel models; terminals not included</i>	
3	6356GT	WASHER,LOCK,.25.....	8	--	34055GT	TERM RELAY,N-INSULATE 14-16 GA....	4
4	28298GT	WIRING DUCT, 1.5 X 1.5.....	2	--	34056GT	TERM,RELAY,N-INSULATE 18-20 GA....	4
5	121599GT	GASKET,GBOX,S80/85 2008.....	1	33	34052GT	RELAY,SPDT,12V(AUTO) PLUG IN**....	4
6	52645GT	GROUND CNTRL BOX W/DECALS S-40.....	1	34	25974GT	PLASTIC END STOP.....	2
		<i>includes index numbers 5, 41 and threaded inserts</i>		35	56057GT	MODULE,IGNITION/START,12/24V.....	2
--	23404GT	NUTSERT,1/4-20,STEEL CAD PLTD.....	1			<i>to SN 5381</i>	
7	12960GT	CABLE SQUEEZE CONN.,XTRA LRG...3		--	56057GT	MODULE,IGNITION/START,12/24V.....	1
8	14041GT	LOCKNUT,ELECTRIC,3/4".....	3			<i>from SN 5382</i>	
9	15243GT	PLUG,NYLON .875 BLACK DOMED.....	1	36	25807GT	DIODE BLOCK SUPPRESSION.....	2
10	7056GT	CONN, SQZ, 1/2NPT .38-.50, SM**....	4	37	25808GT	CARRIER TERMINAL(5 PER BLOCK)....	2
11	6935GT	LOCKNUT,ELEC,1/2".....	4	38	25837GT	TERMINAL STRIP END PLATE.....	1
12	1505GT	WIRE CABLE,16/2 SJO,BULK.....	296-inches	39	32637GT	TERMINAL BLOCK,WAGO.....	44
13	43960GT	WIRE CABLE,16/4 CON.TPE JKT.....	174-inches	--	32638GT	TERMINAL BLOCK,WAGO.....	2
14	43960GT	WIRE CABLE,16/4 CON.TPE JKT.....	116-inches	40	28310GT	DIN RAIL,23.75".....	1
15	48533GT	WIRE CABLE,18GA/19 CON.BNDREX.....	696-inches	41	30997GT	CORROSION INHIBITOR,FOAM.....	1
		<i>S-40</i>					
16	43955GT	WIRE CABLE,12/3 CON.TPE JKT.....	720-inches				
17	48533GT	WIRE CABLE,18GA/19 CON.BNDREX.....	696-inches				
18	35934GT	WIRE CABLE,18/19 CON.TPRJKT.....	60-inches				
19	6091GT	NUT,NYLOCK,1/4-20.....	5				
20	45385GT	PLUG,NYLON 1.12 BLACK DOMED.....	1				
21	20776GT	CABLE SQUEEZE CONN.....	1				
22	18665GT	LOCKNUT,ELECTRIC,1" NPT.....	1				
23	6888GT	SCREW,HHC,1/4-20 X 1.....	5				
24	6638GT	WASHER,FLAT,USS,1/4"Y.....	5				
25	27155GT	SOLENOID,12V CONTINUOUS***.....	1				
26	6090GT	SCREW,HHC,1/4-20 X .75.....	3				
27	34057GT	ANGLE,RELAY MOUNTING.....	1				
		<i>Gasoline/LPG models</i>					
28	6178GT	NUT,NYLOCK,10-32.....	10				
29	6606GT	SCREW,RHM,10-32 X .75.....	10				
30	128201GT	SWITCH TOGGLE ASSY DPDT 2P MOM.....	1				
		<i>includes mounting fasteners; Gasoline/LPG models</i>					

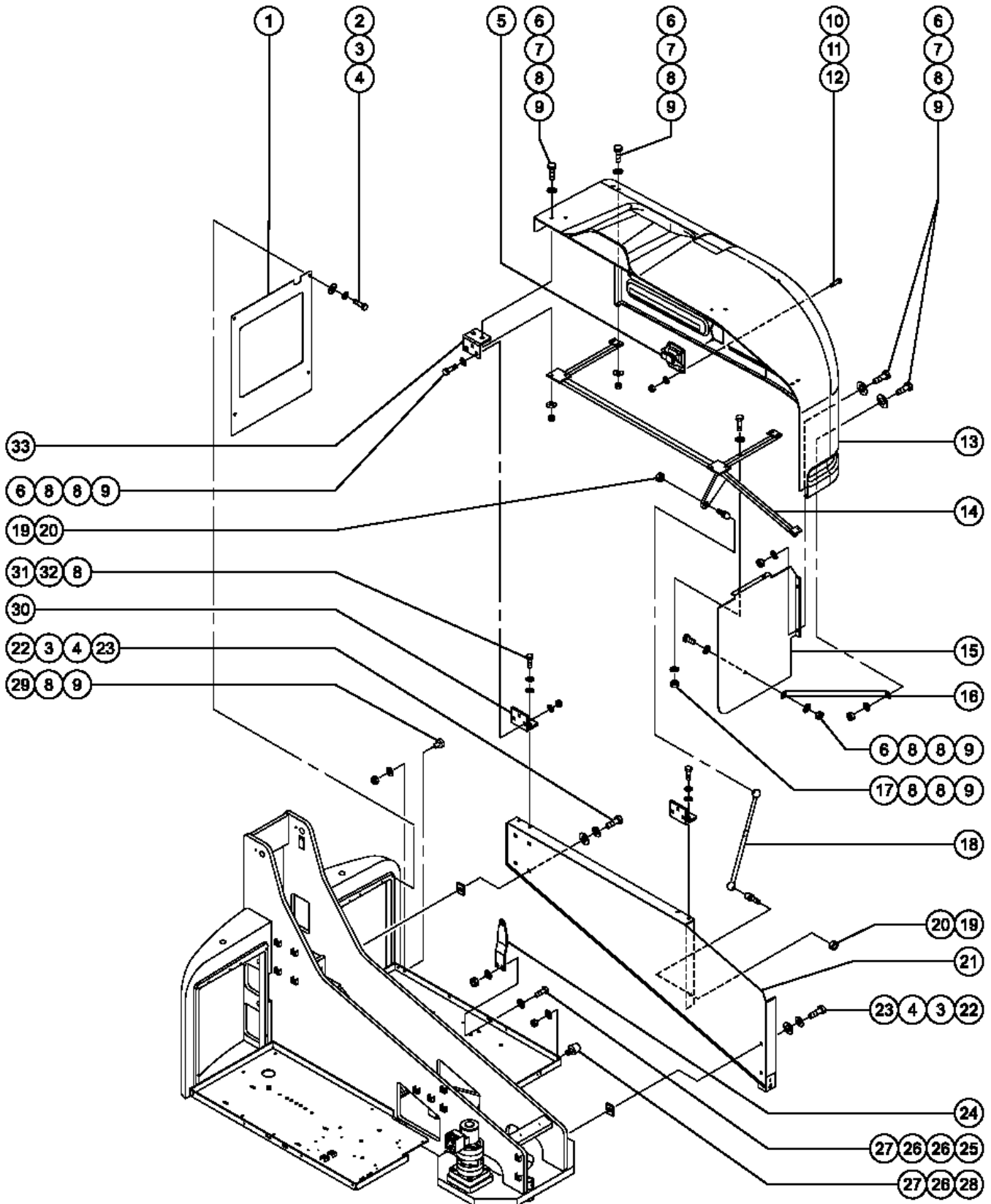
510.1 Turntable Covers, View 1



510.1 Turntable Covers, View 1

Item	Part No.	Description	Qty.	Item	Part No.	Description	Qty.
1	52651GT	COVER-HINGED, GRND CNTRL.....1 <i>includes index numbers 2 and 3</i>	1	--	27377GT	RETAINER,GAS SPRING***.....1	1
2	7265GT	RIVET,STEEL,P, .25 X .375.....7	7	--	72256GT	GAS STRUT,CONNECTOR (28301)	
3	30468GT	LATCH,SLIDE, FLUSH MOUNT STYLE.....1 <i>includes mounting fasteners</i>	1	32	36388GT	BUMPER,RUBBER,.75 X .50H,STUD.....1	1
4	49534GT	DOOR LATCH,BASE CONTROL BOX....1	1	33	35949P-SGT	BRACKET,COVER HINGE,BLUE.....2	2
5	49816GT	SCREW,PHILLIPS,PHM,10-32 X .75.....4	4	34	6356GT	WASHER,LOCK,.25.....4	4
6	6146GT	WASHER,FLAT,MS,#10,Y.....4	4	35	6935GT	LOCKNUT,ELEC,1/2".....1	1
7	6178GT	NUT,NYLOCK,10-32.....4	4	36	43956GT	WIRE CABLE,14/3 CON.TPE JKT*	
--	29314GT	KEY,LATCH, 1 PAIR (28125).....1	1	37	6595GT	PLUG,ELECTRICAL,DOMESTIC.....1	1
8A	28125GT	LATCH,FLUSH CUP***.....1 <i>to SN 830; folding T-handle</i>	1	--		FUSE,13 AMP,220V PLUG.....1 <i>(component no longer available) refer to BS1362 BUSS TDC180-13A</i>	1
8B	49536GT	LATCH,TURNTABLE FLUSH STYLE.....1 <i>from SN 831 to 4024; black plastic oval-shaped</i>	1	--	119404GT	CONN,RECEP 120AC/15A DOMESTIC.....1	1
8C	53903GT	LATCH,T-HANDLE,5 SIDED W/KEYS*....1 <i>from SN 4025; T-style</i>	1	--	1280665GT	PLUG, TYPE F, 230A, 50HZ, 16A, IP44.....1	1
9	8915GT	SCREW,HHC,1/4-20 X 1.25.....16	16	--	144161GT	PLUG,PWR,UK,16AMP,3PIN,BLK.....1	1
10	12906GT	WASHER,FENDER,.25 X 1.25 X .062....10	10	--	25388GT	PLUG,FUSED,250V,13AMP,U.K.**.....1	1
11	6638GT	WASHER,FLAT,USS,1/4"Y.....28	28	38	7056GT	CONN, SQZ, 1/2NPT .38-.50, SM**.....1	1
12	6091GT	NUT,NYLOCK,1/4-20.....16	16	Footnotes			
13	65477GT	COVER ASSY W/DECALS,L.H. BB.....1 <i>includes index numbers 1 through 8</i>	1	1: Hose End - Female, Swivel, JIC (Parker No. 10643-4), Hose End - Female, Swivel, 90°, JIC (Parker No. 13943-4) and Hose, 1/4 inch (Parker No. 451TC-4)			
--	52440GT	COVER ASSY W/DECALS,LH B/B SQ....1 <i>includes index numbers 1 through 8</i>	1				
14	6888GT	SCREW,HHC,1/4-20 X 1.....6	6				
15	75073GT	HINGE,.375X.120THK.,SLOTTED.....2	2				
16	49532-SGT	COVER,SUPPORT WELDMENT,LH.....1	1				
17	49535P-SGT	PLATE,LATCH,BLUE,PAINTED.....1	1				
18	30973GT	BUMPER,RUBBER-1 X 1.25.....2	2				
19	5397GT	WASHER,FLAT,USS,5/16",Y.....6	6				
20	6782GT	NUT,NYLOCK,5/16-18.....4	4				
21	13002GT	SCREW,HHC,5/16-18 X 1 GR5.....2	2				
22	30743-SGT	COVER SUPPORT WELDMENT LH.....1	1				
23	28646GT	ZERK,GREASE,1/8 NPT.....1	1				
24	30430GT	BULKHEAD,FEMALE X 4.....1	1				
25	49176-2779GT	HOSE ASSEMBLY,1/4".....1 1	1				
26	6019GT	SCREW,HHC,3/8-16 X 1.25 GRD 5.....10	10				
27	6021GT	WASHER,LOCK,.375.....15	15				
28	29868GT	SPRING CLIP,3/8-16,.05-.20X.73,ZAG...6	6				
29	33555GT	BALL STUD**.....2	2				
30	6002GT	NUT,LP NYLOCK,5/16-18.....2	2				
31	27377GT	RETAINER,GAS SPRING***.....1	1				
31	28301GT	GAS STRUT,250 LBS FORCE***.....1	1				

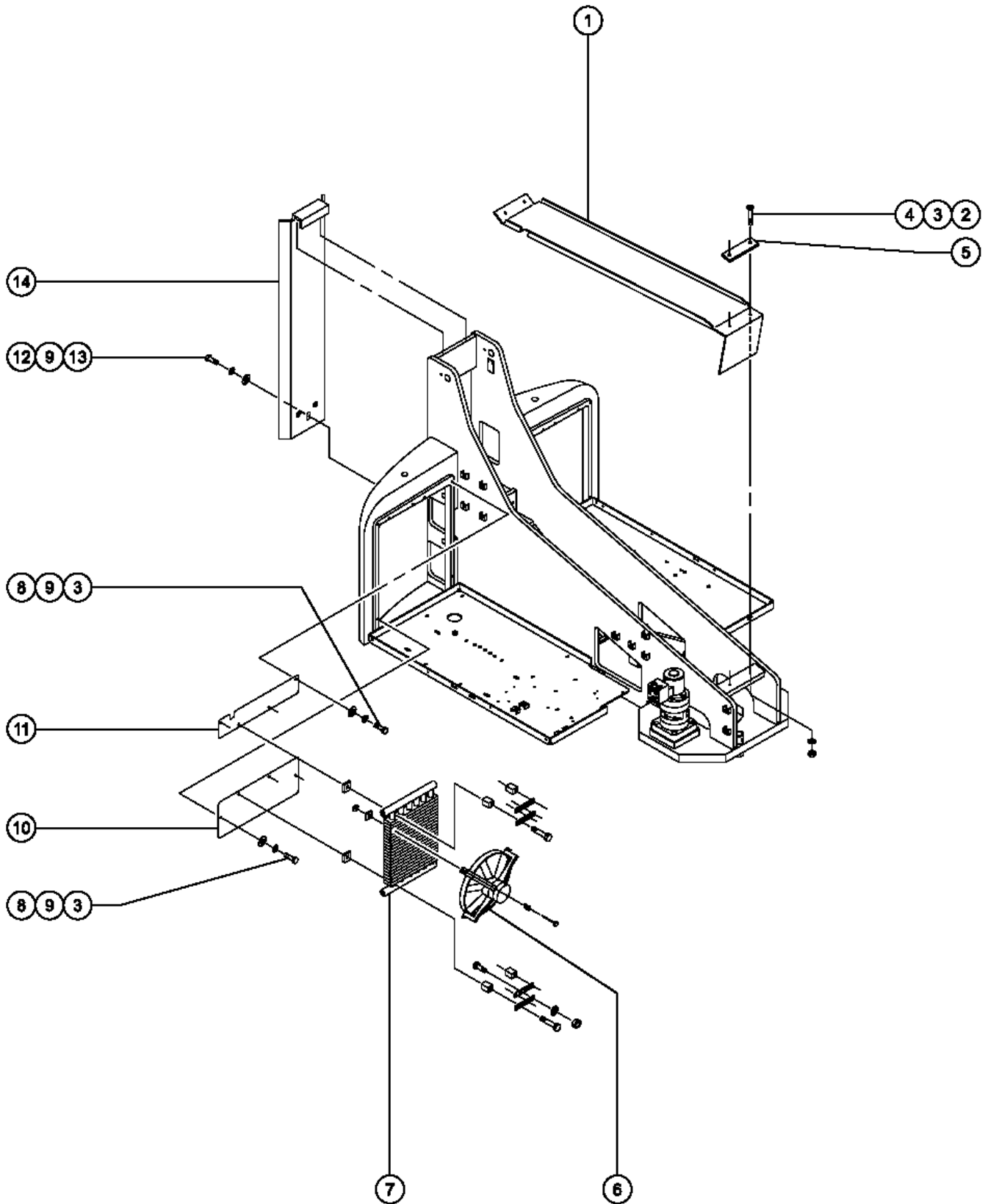
511.1 Turntable Covers, View 2



511.1 Turntable Covers, View 2

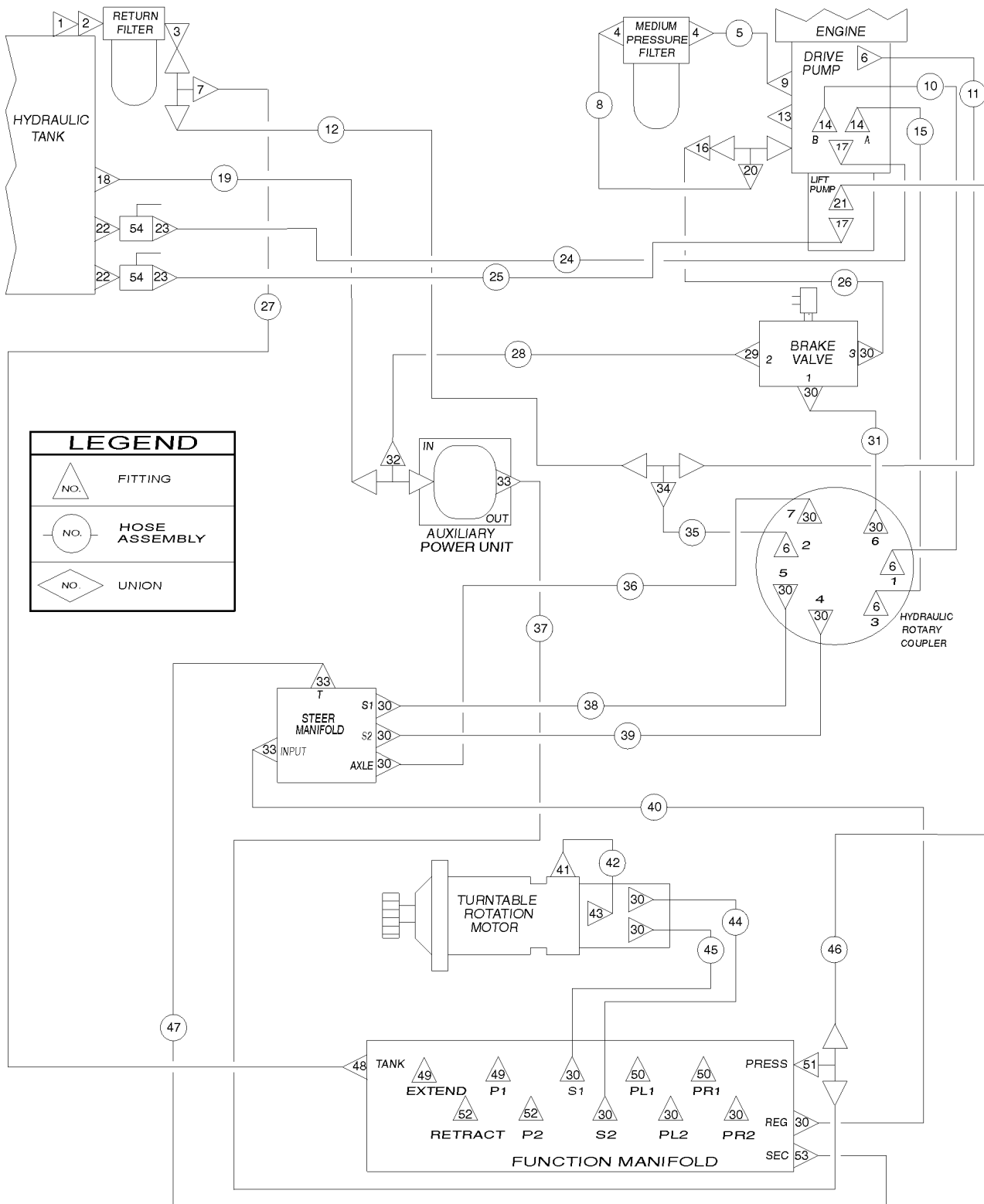
Item	Part No.	Description	Qty.	Item	Part No.	Description	Qty.
1	53078P-SGT	BAFFLE,AIR,FORD,PAINTED.....1 <i>Gasoline/LPG models</i>	1	24	49535P-SGT	PLATE,LATCH,BLUE,PAINTED.....1	1
--	53079P-SGT	BAFFLE,AIR,DEUTZ,PAINTED GRAY....1 <i>Diesel models</i>	1	25	13002GT	SCREW,HHC,5/16-18 X 1 GR5.....2	2
2	8255GT	SCREW,HHC,3/8-16 X .75.....5	5	26	5397GT	WASHER,FLAT,USS,5/16",Y.....7	7
3	6021GT	WASHER,LOCK,.375.....14	14	27	6782GT	NUT,NYLOCK,5/16-18.....5	5
4	6097GT	WASHER,FLAT,USS,3/8",Y.....11	11	28	30973GT	BUMPER,RUBBER-1 X 1.25.....3	3
--	29314GT	KEY,LATCH, 1 PAIR (28125).....1	1	29	36388GT	BUMPER,RUBBER,.75 X .50H,STUD....1	1
5A	28125GT	LATCH,FLUSH CUP***1 <i>to SN 830; folding T-handle</i>	1	30	35949P-SGT	BRACKET,COVER HINGE,BLUE.....2	2
5B	49536GT	LATCH,TURNTABLE FLUSH STYLE....1 <i>from SN 831 to 4024; black plastic oval-shaped</i>	1	31	6888GT	SCREW,HHC,1/4-20 X 1.....4	4
5C	53903GT	LATCH,T-HANDLE,5 SIDED W/KEYS*....1 <i>from SN 4025; T-style</i>	1	32	6356GT	WASHER,LOCK,.25.....4	4
6	8915GT	SCREW,HHC,1/4-20 X 1.25.....20	20	33	75073GT	HINGE,.375X.120THK.,SLOTTED.....2	2
7	12906GT	WASHER,FENDER,.25 X 1.25 X.062....13	13				
8	6638GT	WASHER,FLAT,USS,1/4"Y.....35	35				
9	6091GT	NUT,NYLOCK,1/4-20.....22	22				
10	49816GT	SCREW,PHILLIPS,PHM,10-32 X .75.....4	4				
11	6146GT	WASHER,FLAT,MS,#10,Y.....4	4				
12	6178GT	NUT,NYLOCK,10-32.....4	4				
13	65478GT	COVER ASSY W/DECAL,WRD,RH BB...1 <i>Gasoline/LPG models; includes index numbers 5, 10, 11 and 12</i>	1				
--	52441GT	COVER ASSY W/DECAL,GAS,RH.....1 <i>Gasoline/LPG models; includes index numbers 5, 10, 11 and 12; to SN 4025</i>	1				
--	52443GT	COVER ASSY W/DECAL,DIE.RH BIGB.....1 <i>Diesel models; includes index numbers 5, 10, 11 and 12; to SN 4025</i>	1				
--	65478GT	COVER ASSY W/DECAL,WRD,RH BB...1 <i>Diesel models; includes index numbers 5, 10, 11 and 12</i>	1				
14	53882GT	WELDMENT,TT COVER SUPPORT,RH.....1	1				
15	49537P-SGT	SHROUD,LP TANK,PAINTED.....1 <i>Gasoline/LPG models</i>	1				
16	30894P-SGT	SHROUD SUPPORT,PAINTED GRAY....1 <i>Gasoline/LPG models</i>	1				
17	6637GT	SCREW,HHC,1/4-20 X 1.75.....2	2				
18	28301GT	GAS STRUT,250 LBS FORCE***.....1	1				
--	27377GT	RETAINER,GAS SPRING***1	1				
19	6002GT	NUT,LP NYLOCK,5/16-18.....2	2				
20	33555GT	BALL STUD**.....2	2				
21	30744-SGT	COVER SUPPORT WELDMENT RH.....1	1				
22	6019GT	SCREW,HHC,3/8-16 X 1.25 GRD 5.....6	6				
23	29868GT	SPRING CLIP,3/8-16,.05-.20X.73,ZAG...6	6				

512.1 Turntable Covers, View 3



Item	Part No.	Description	Qty.
--	46768GT	CTWT,CAST,400 LBS,RH.....	1
--	46769GT	CTWT,CAST,400 LBS,LH.....	1
--	46990GT	OIL COOLER(SYNFLEX)S40,60,80 <i>includes index numbers 6 through 11</i>	
--	53127-SGT	OIL COOLER KIT,S40 <i>includes index numbers 6 through 11</i>	
1	34358P-SGT	PLATE, SWING COVER, S40/S45.....	1
2	17712GT	SCREW,FHS,3/8-16 X 1.75.....	2
3	5397GT	WASHER,FLAT,USS,5/16",Y.....	2
4	4828GT	NUT,NYLOCK,3/8-16.....	2
5	34370GT	REST PAD,S40,BOOM REST.....	1
6	63118GT	FAN,OIL COOLER***.....	1
7	22349GT	COOLER-HYDRAULIC OIL..... <i>includes hardware</i>	1
8	8255GT	SCREW,HHC,3/8-16 X .75.....	5
9	6021GT	WASHER,LOCK,.375.....	5
10	53113P-SGT	COVER PLATE,COUNTERWGHT,PTD..... <i>models with Oil Cooler Option</i>	1
11	30960P-SGT	COVER PLT,COUNTERWGHT,PNTD..... <i>models with Oil Cooler Option</i>	1
12	6175GT	SCREW,HHC,3/8-16 X 1.....	1
13	6097GT	WASHER,FLAT,USS,3/8",Y.....	1
14	52650-SGT	COVER-FRONT TRNTBLE W/DE S40**.....	1
--	102677GT	COVER-FRONT TRNTBLE W/DECA S45	

513.1 Hydraulic Hoses and Fittings



513.1 Hydraulic Hoses and Fittings

Item	Part No.	Description	Qty.	Item	Part No.	Description	Qty.
--	28750GT	O-RING KIT,FIELD SVC,ALL PROD*		25	49159-3518GT	HOSE ASSEMBLY,1".....1	
--	33994GT	PLUG AND CAP KIT-SERVICE,37 **				7 Gasoline models	
--	49612GT	O-RING KIT (ORFS FITTINGS)		--	49159-4268GT	HOSE ASSEMBLY,1"***.....1	
--	49613GT	PLUG AND CAP KIT-SERVICE,ORFS*				7 Diesel models	
1	49512GT	ELBOW,90DEG,FEM,1"NPT.....1		26	49128-2384GT	HOSE ASSEMBLY,3/8".....1	
2	49513GT	ADAPTER,PIPE NIPPLE.....1				8	
3	49515GT	ELBOW,90D,520202-12-16.....1		27	49101-3285GT	HOSE ASSEMBLY,5/8".....1	
4	48947GT	ELBOW,90D,520220-8-12.....2				9	
5	49139-2968GT	HOSE ASSEMBLY,1/2".....1		28	49115-4014GT	HOSE ASSEMBLY,1/4".....1	
		1				10	
6	48960GT	FITTING,CONN,520120-12***.....4		29	48910GT	CONN,070103-4,.030 ORI.....1	
7	48964GT	FITTING,TEE,RUN,SWIVEL52043212....1		30	48916GT	FITTING,CONN,520120-6.....16	
8	49138-3266GT	HOSE ASSEMBLY,1/2".....1		31	49130-3832GT	HOSE ASSEMBLY,3/8".....1	
		2				11	
9	48946GT	CONN,520120-8-10.....1		32	48935GT	TEE,RUN,520428-8.....1	
10	94374-5230GT	HOSE ASSY,3/4,90 FEM,STR FEM**.....1		33	48942GT	ELBOW,90D,520220-8-6.....3	
		3 Gasoline models		34	48969GT	TEE,BULKHEAD,RUN,520958-12.....1	
--	94374-5530GT	HOSE ASSY,3/4,90 FEM,STR FEM**.....1		35	49149-3401GT	HOSE ASSY,3/4,45 FEM,STR FEM.....1	
		3 Diesel models				12	
11	49150-3730GT	HOSE ASSY,3/4,90 FEM,STR FEM.....1		36	49128-4784GT	HOSE ASSEMBLY,3/8".....1	
		4				12	
12	49151-4648GT	HOSE ASSY,3/4,STR FEM,STR FEM.....1		37	49171-2499GT	HOSE ASSEMBLY,1/2".....1	
		5				13	
13	48998GT	NIPPLE,DIAGNOSTIC,#6 PORT***.....1		38	49126-3933GT	HOSE ASSY,3/8,45 FEM,STR FEM.....1	
14	48977GT	CONN,520120-12-16.....2				14	
15	94374-5530GT	HOSE ASSY,3/4,90 FEM,STR FEM**.....1		39	49126-4133GT	HOSE ASSY,3/8,45 FEM,STR FEM.....1	
		5 Gasoline models				14	
--	94374-5930GT	HOSE ASSY,3/4,90 FEM,STR FEM**.....1		40	49128-2359GT	HOSE ASSEMBLY,3/8".....1	
		5 Diesel models				14	
16	48957GT	REDUCER,520123-10-6.....1		41	48905GT	CONN,520120-4***.....1	
17	48984GT	CONN,520120-16.....2		42	49117-1691GT	HOSE ASSY,1/4,90 FEM,STR FEM.....1	
18	48922GT	CONN,520102-6-6.....1				15	
19	49135-2089GT	HOSE ASSEMBLY,3/8".....1		43	48904GT	ELBOW,90D,520220-4-4.....1	
		6		44	49128-2309GT	HOSE ASSEMBLY,3/8".....1	
20	48953GT	TEE,RUN,520428-10.....1				15	
21	48946GT	CONN,520120-8-10.....1		45	49128-2609GT	HOSE ASSEMBLY,3/8".....1	
22	48988GT	ELBOW,45D,140339-16.....2				15	
23	48986GT	CONN,520102-16.....2		46	49158-6433GT	HOSE ASSEMBLY, 5/8".....1	
24	49159-3818GT	HOSE ASSEMBLY,1".....1				16	
		7 Gasoline models		47	49128-2859GT	HOSE ASSEMBLY,3/8".....1	
--	49159-3868GT	HOSE ASSEMBLY,1".....1				16	
		7 Diesel models		48	48950GT	ELBOW,90D,520220-10.....1	

513.1 Hydraulic Hoses and Fittings
(continued)

Item	Part No.	Description	Qty.	Item	Part No.	Description	Qty.
49	48934GT	CONN, LONG, 520122-8.....	2				
50	48917GT	CONN, LONG, 520122-6.....	2				
51	48954GT	TEE, BRANCH, 520429-10.....	1				
52	48933GT	CONN, 520120-8***.....	2				
53	48930GT	FITTING, CONN, 520120-6-8***.....	1				
54	48994GT	VALVE, BALL, 16 MPT-16 FPT***.....	2				

513.1 Hydraulic Hoses and Fittings
(continued)

Item	Part No.	Description	Qty.	Item	Part No.	Description	Qty.
------	----------	-------------	------	------	----------	-------------	------

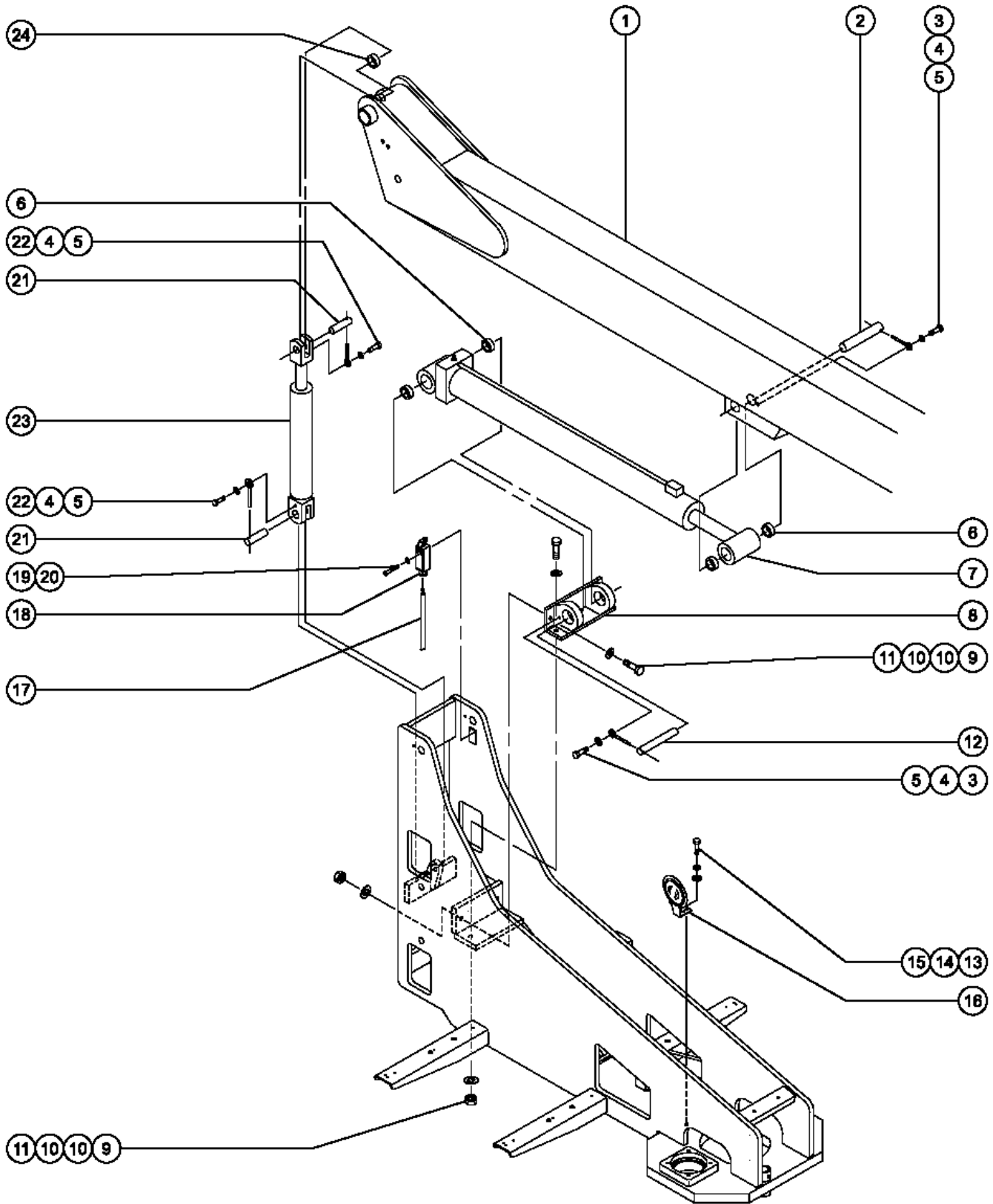


513.1 Hydraulic Hoses and Fittings (continued)

Item	Part No.	Description	Qty.	Item	Part No.	Description	Qty.
Footnotes							
	1:	Hose End - Female, Swivel, ORFS (Parker No. 1JC43-8), Hose End - Female, Swivel, 45°, ORFS (Parker No. 1J743-10-8) and Hose, 1/2 inch (Parker No. 451TC-8)		11:	Hose End - Female, Swivel, ORFS (Parker No. 1JC43-6), Hose End - Female, Swivel, ORFS (Parker No. 1JC43-6) and Hose, 3/8 inch (Parker No. 451TC-6)		
	2:	Hose End - Female, Swivel, ORFS (Parker No. 1JC43-8), Hose End - Female, Swivel, 90°, Med., ORFS (Parker No. 1J543-8) and Hose, 1/2 inch (Parker No. 451TC-8)		12:	Hose End - Female, Swivel, ORFS (Parker No. 1JC43-12), Hose End - Female, Swivel, 45°, ORFS (Parker No. 1J743-12) and Hose, 3/4 inch (Parker No. 481-12)		
	3:	Hose End - Female, Swivel, ORFS (Parker No. 1JC71-12), Hose End - Female, Swivel, 90°, ORFS (Parker No. 1J971-12) and Hose, 3/4 inch (Parker No. 772-12)		13:	Hose End - Female, Swivel, ORFS (Parker No. 1JC43-8), Hose End - Female, Swivel, 90°, ORFS (Parker No. 1J943-10-8) and Hose, 1/2 inch (Parker No. 451TC-8)		
	4:	Hose End - Female, Swivel, ORFS (Parker No. 1JC43-12), Hose End - Female, Swivel, 90°, ORFS (Parker No. 1J943-12) and Hose, 3/4 inch (Parker No. 481-12)		14:	Hose End - Female, Swivel, ORFS (Parker No. 1JC43-6), Hose End - Female, Swivel, 45°, ORFS (Parker No. 1J743-6) and Hose, 3/8 inch (Parker No. 451TC-6)		
	5:	Hose End - Female, Swivel, ORFS (Parker No. 1JC43-12), Hose End - Female, Swivel, ORFS (Parker No. 1JC43-12) and Hose, 3/4 inch (Parker No. 481-12)		15:	Hose End - Female, Swivel, ORFS (Parker No. 1JC43-4), Hose End - Female, Swivel, 90°, ORFS (Parker No. 1J943-4) and Hose, 1/4 inch (Parker No. 451TC-4)		
	6:	Hose End - Female, Swivel, ORFS (Parker No. 1JC43-6), Hose End - Female, Swivel, ORFS (Parker No. 1JC43-8-6) and Hose, 3/8 inch (Parker No. 451TC-6)		16:	Hose End - Female, Swivel, Straight, ORFS (Parker No. 1JC43-10), Hose End - Female, Swivel, 90°, ORFS (Parker No. 1J943-10) and Hose, 5/8 inch (Parker No. 381-10)		
	7:	Hose End - Female, Swivel, ORFS (Parker No. 1JC43-16), Hose End - Female, Swivel, 90°, ORFS (Parker No. 1J943-16) and Hose, 1 inch (Parker No. 881-16)					
	8:	Hose End - Female, Swivel, ORFS (Parker No. 1JC43-6), Hose End - Female, Swivel, 90°, ORFS (Parker No. 1J943-6) and Hose, 3/8 inch (Parker No. 451TC-6)					
	9:	Hose End - Female, Swivel, Straight, ORFS (Parker No. 1JC43-10), Hose End - Female, Swivel, 90°, Short, ORFS (Parker No. 1J943-12-10) and Hose, 5/8 inch (Parker No. 381-10)					
	10:	Hose End - Female, Swivel, 90°, JIC (Parker No. 13943-4), Hose End - Female, Swivel, 90°, ORFS (Parker No. 1J943-8-4) and Hose, 1/4 inch (Parker No. 451TC-4)					

This Page Intentionally Left Blank

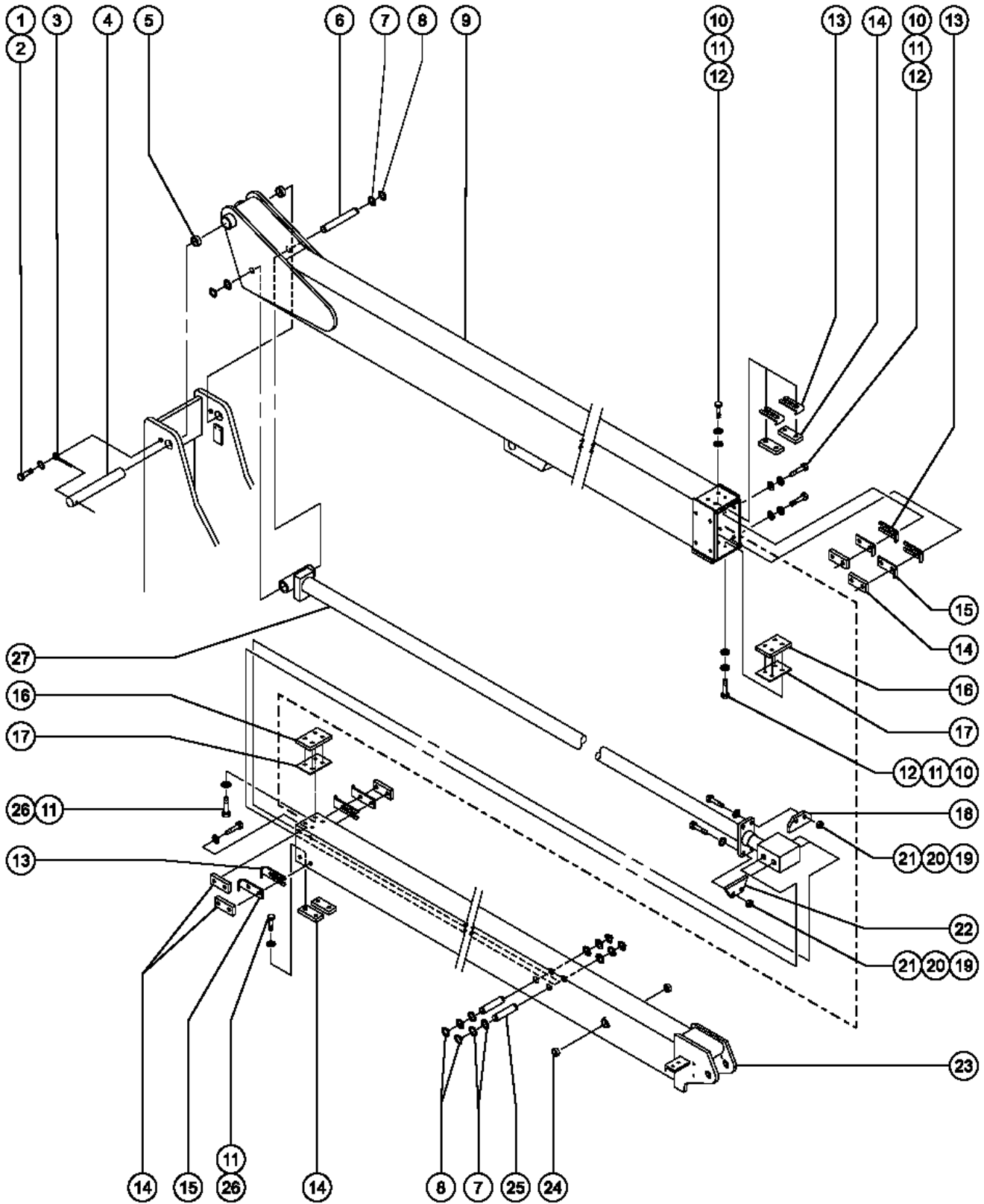
601.1 Boom Lift and Master Leveling Cylinder Installation



601.1 Boom Lift and Master Leveling Cylinder Installation

Item	Part No.	Description	Qty.	Item	Part No.	Description	Qty.
1		Ref. Boom Tube Assembly - Primary (refer to Figure 6-B or 6-C)		--	75468GT	SEAL KIT,CYL,S40 MASTER(81692) for 81692 cylinder (S-40)	
2	30732GT	PIN,1.50DIAX6.38LG,1HOLE.....	1	--	75470GT	SEAL KIT,CYL,S45 MASTER(81694) for 81694 cylinder (S-45)	
3	6019GT	SCREW,HHC,3/8-16 X 1.25 GRD 5.....	2	24	25817GT	BEARING,1.00IDX1.25ODX1.00L.....	1
4	6021GT	WASHER,LOCK,,.375.....	4			(S-40)	
5	1255452GT	ROD END,,.375 X 2.25,ZAG.....	4	24	30370GT	BEARING,1.25IDX1.5ODX1.00L.....	1
5	825019GT	ROD END,,.375X3.69,ZAG.....	4			(S-45)	
6	1262634GT	BUSHING,POLYGON,BM5121.....	4				
7	63206GT	CYLINDER,LIFT,S40.....	1				
		<i>includes index number 6</i>					
--	31106GT	VALVE,CNTERBAL,CBBB-LHN@3000** for 30529 cylinder; to SN 3393					
--	32713GT	SEAL KIT (CYL PN 30529) for 30529 cylinder; to SN 3393					
--	63346GT	SEAL KIT CYL,S40 (63206).....	1				
		<i>for 63206 cylinder</i>					
--	73806GT	VALVE,CNTERBALANCE-SUN@3000** for 63206 cylinder					
8	30662-SGT	WELDMNT, CYLINDER MOUNTING....	1				
9	13004GT	SCREW,HHC,5/8-11 X 3 GRD.8.....	4				
10	13064GT	WASHER,FLAT,.625 HARDENED.....	8				
11	6024GT	NUT,NYLOCK,5/8-11.....	4				
12	30733GT	PIN,1.50DIAX7.75LG,1HOLE.....	1				
13	13002GT	SCREW,HHC,5/16-18 X 1 GR5.....	2				
14	6356GT	WASHER,LOCK,,.25.....	2				
15	6638GT	WASHER,FLAT,USS,1/4"Y.....	2				
16	81578GT	HORN,12VDC,SPADE TERMINALS***....	1				
17	43960GT	WIRE CABLE,16/4 CON.TPE JKT.....	15-inches				
18	19491GT	CONTACTOR,LIMIT SWITCH.....	1				
18	8836-146R5GT	SWITCH,LIMIT,W/ROLLER HEAD***	1				
--	19491GT	CONTACTOR,LIMIT SWITCH.....	1				
19	22541GT	SCREW,RHM,10-32 X 1.5.....	2				
20	6607GT	WASHER,LOCK,#10 PLTD.....	2				
21	30734GT	PIN,1.00DIAX2.88LG,1HOLE.....	2				
21	34276GT	PIN,1.25DIAX3.37LG,1HOLE.....	2				
22	8255GT	SCREW,HHC,3/8-16 X .75.....	2				
23	81692GT	CYLINDER,MASTER,S40***.....	1				
		(S-40)					
23	81694GT	CYLINDER,MASTER.....	1				
		(S-45)					
--	59050GT	SEAL KIT,2.5" BORE,1.5" ROD*** for 59071 cylinder (S-40)					
--	59263GT	SEAL KIT-3" BORE X 1.5" ROD for 59238 cylinder (S-45)					
--	59445GT	SEAL KIT,3" BORE,1.5" RD for 59391 cylinder (S-45)					

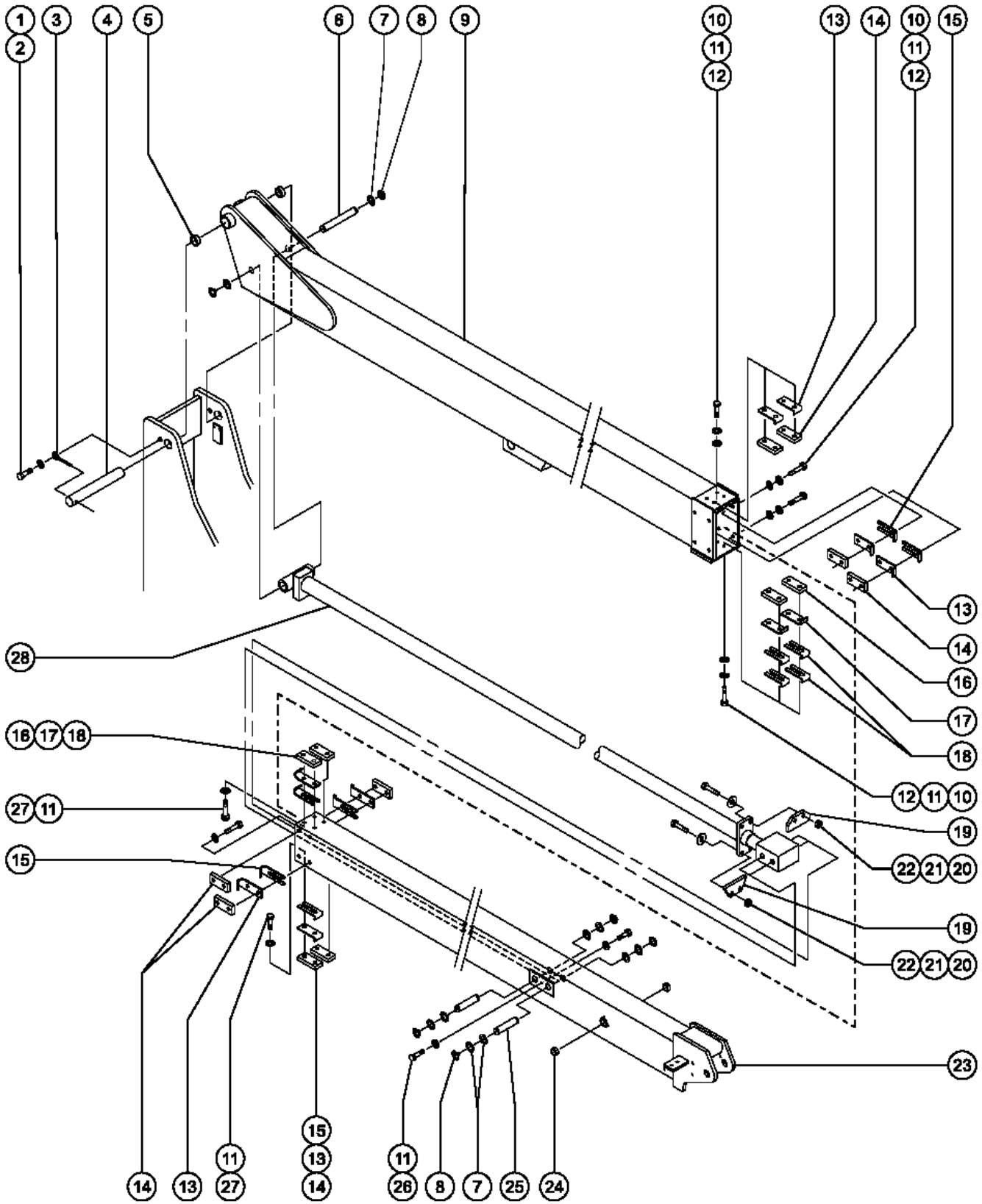
602.1 Boom Assembly, S-40



602.1 Boom Assembly, S-40

Item	Part No.	Description	Qty.	Item	Part No.	Description	Qty.
1	10597GT	SCREW,HHC,1/2-13 X 1.25 GR5.....	1	27B	63202GT	CYLINDER,EXT.2.5" X 163.5" <i>from SN 3419</i>	
2	6033GT	WASHER,LOCK,0.5".....	1	--	1274506GT	GLAND NUT ASSEMBLY	
3	1256267GT	ROD END,.5 X 3.75,ZAG.....	1	--	33428GT	VALVE,COUNTERBALANCE <i>used with cylinder 63202</i>	
4	30731GT	PIN,PRIM.Boom,16.0 X 1.5 INCH.....	1	--	63342GT	SEAL KIT,CYL,S40 (63202) <i>used with cylinder 63202</i>	
5	30738GT	BEARING,1.50ID X 2.00OD X 1.50LG.....	2	--	89872GT	VALVE,COUNTERBALANCE*** <i>used with cylinder 63202</i>	
6	30730GT	PIN,1.00DIA X 9.46LG,2RING.....	1	Footnotes			
7	30748GT	WASHER,SHIM,1.01 X 1.63 X .062.....	10	1: Quantity listed for this item is approximate. Actual quantity may vary to ensure proper fit.			
8	1253843GT	SNAP RING,EXTERNAL,1.00,ZAG.....	6				
9	102143GT	PRIMARY BOOM ASSY,S40..... <i>(includes item number 5) (customer must also order part number 73969, for first time replacement on units before serial number 5832)</i>	1				
10	6175GT	SCREW,HHC,3/8-16 X 1.....	16				
11	6021GT	WASHER,LOCK,.375.....	32				
12	6097GT	WASHER,FLAT,USS,3/8",Y.....	16				
13	29080GT	SHIM,WEAR PAD,5X 1.5 16GA.....	12				
14	30138GT	WEAR PAD,5 X 1.5 X .625 W/NUTS.....	12				
15	38620GT	SHIM,WEAR PAD,5 X 1.5,14GA.....	8				
16	30741GT	WEAR PAD,6.5 X 5 X .75 W/NUTS.....	2				
17	30472GT	SHIM,PRIMARY BOOM,.064 THK.....	2				
18	30581GT	PAD,EXTENSION CYLINDER, TOP.....	1				
19	6091GT	NUT,NYLOCK,1/4-20.....	4				
20	6638GT	WASHER,FLAT,USS,1/4"Y.....	4				
21	6637GT	SCREW,HHC,1/4-20 X 1.75.....	4				
22	30582GT	PAD,EXTENSION CYLINDER,BOTTOM.....	1				
23	73969GT	PRIMARY BOOM EXT ASSY,S-40*** <i>(includes item number 24) (customer must also order part number 102143, for first time replacement on units before serial number 5832)</i>	1				
24	30220GT	BEARING,1.25ID X 1.5OD X 0.69L.....	2				
25	30729GT	PIN,1.00DIA X 6.67LG,2RING.....	2				
26	8255GT	SCREW,HHC,3/8-16 X .75.....	16				
27A		CYLINDER,EXT.2.5" X 163.5*** <i>Previous cylinder part 35459 is no longer available. Customer must order cylinder part 63202 for replacement.</i>					
--	32712GT	VALVE,COUNTERBAL.CBBB-LHN@2600 <i>used with cylinder 35459 before April 1996</i>					
--	33428GT	VALVE,COUNTERBALANCE <i>used with cylinder 35459 after March 1996</i>					
--	36188GT	VALVE,COUNTERBAL.CACA-LHN@2000 <i>used with cylinder 35459 after March 1996</i>					
--	37497GT	SEAL KIT,S40 EXT.CYL.(35459) <i>used with cylinder 35459</i>					

603.1 Boom Assembly, S-45

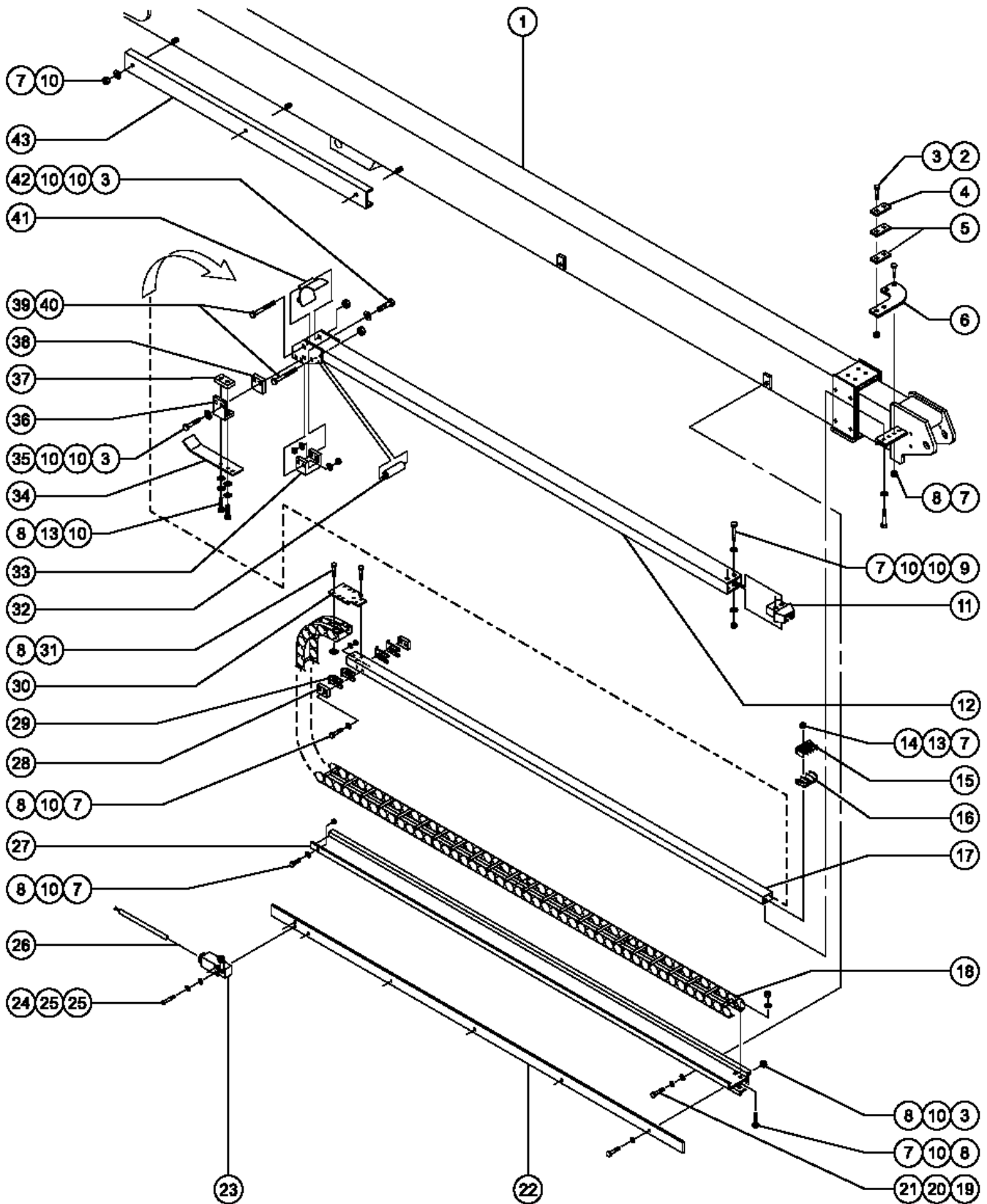


Item	Part No.	Description	Qty.
1	10597GT	SCREW,HHC,1/2-13 X 1.25 GR5.....	1
2	6033GT	WASHER,LOCK,0.5".....	1
3	1256267GT	ROD END,.5 X 3.75,ZAG.....	1
4	30731GT	PIN,PRIM.Boom,16.0 X 1.5 INCH.....	1
5	30738GT	BEARING,1.50IDX2.00ODX1.50LG.....	2
6	53219GT	PIN,1.00DIAx11.05LG,2RING.....	1
7	30748GT	WASHER,SHIM,1.01 X 1.63 X.062.....	10
8	1253843GT	SNAP RING,EXTERNAL,1.00,ZAG.....	6
9	102144GT	PRIMARY BOOM ASSY, S45..... <i>includes index number 5</i>	1
10	6175GT	SCREW,HHC,3/8-16 X 1.....	16
11	6021GT	WASHER,LOCK,.375.....	35
12	6097GT	WASHER,FLAT,USS,3/8",Y.....	16
13	38620GT	SHIM,WEAR PAD,5 X 1.5,14GA.....	8
		1	
14	30138GT	WEAR PAD,5 X 1.5 X .625 W/NUTS.....	8
15	29080GT	SHIM,WEAR PAD,5X 1.5 16GA.....	12
		1	
16	34124GT	WEAR PAD,5 X 3 X .625 W/NUTS.....	4
17	38621GT	SHIM,PAD,5 X 3.....	4
18	34344GT	SHIM,SIDE PAD 16GA. 3 X 5.....	10
		1	
19	53197GT	WEAR PAD,EXTENSION CYLINDER.....	2
20	6091GT	NUT,NYLOCK,1/4-20.....	4
21	12906GT	WASHER,FENDER,.25 X 1.25 X.062....	4
22	6637GT	SCREW,HHC,1/4-20 X 1.75.....	4
23	52882GT	EXTENSION BOOM TUBE ASSY. S-45..... <i>includes index number 24</i>	1
24		BEARING <i>not used on S-45</i>	
25	53200GT	PIN,1.00DIAx8.38LG,2RING.....	2
26	53354GT	SCREW,HHC,3/8-16 X1.25FULL THR....	2
27	8255GT	SCREW,HHC,3/8-16 X .75.....	16
28	63202GT	CYLINDER,EXT.2.5" X 163.5".....	1
--	33428GT	VALVE,COUNTERBALANCE.....	1
--	63342GT	SEAL KIT,CYL,S40 (63202).....	1
--	89872GT	VALVE,COUNTERBALANCE***.....	1
28_	1274506GT	GLAND NUT ASSEMBLY	

Footnotes

1: Quantity listed for this item is approximate. Actual quantity may vary to ensure proper fit.

604.1 Cable Track Installation



604.1 Cable Track Installation

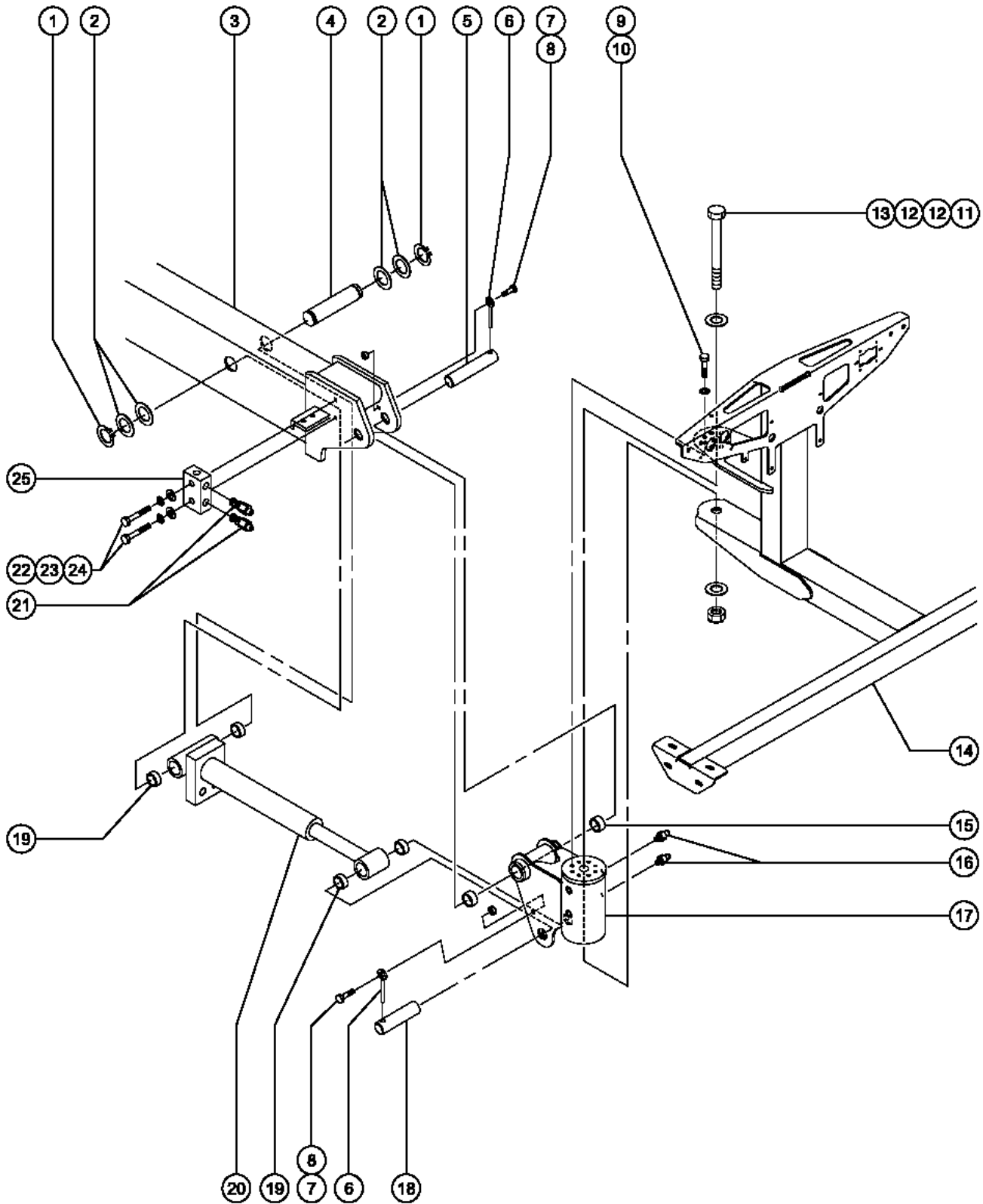
Item	Part No.	Description	Qty.
--	48516GT	CABLE CLAMP ASSEMBLY,S40 <i>includes index numbers 4, 5, 6 and mounting hardware</i>	
1		Ref. Boom Assembly (refer to Figures 6-B or 6-C)	
2	4266GT	SCREW,HHC,1/4-20 X 2.....	2
3	6091GT	NUT,NYLOCK,1/4-20.....	12
4	46751P-SGT	CABLE CLAMP.....	1
5	46765GT	PAD,CABLE CLAMP.....	2
6	46936PGT	BRACKET, CABLE CLAMP.....	1
7	6889GT	NUT,LP NYLOCK,1/4-20.....	21
8	6090GT	SCREW,HHC,1/4-20 X .75.....	26
9	6115GT	SCREW,HHC,1/4-20 X 3.5.....	2
10	6638GT	WASHER,FLAT,USS,1/4"Y.....	31
11	41750GT	COW CATCHER,PLASTIC.....	1
12	30671-SGT	WLDMT.CABLE TRACK TUBE S40.....	1
13	8914GT	SCREW,HHC,1/4-20 X .625.....	2
14	6356GT	WASHER,LOCK,.25.....	4
15	63432GT	CLAMP,HOSE,BOTTOM,MOLDED.....	1
16	63433GT	CLAMP,HOSE,TOP,MOLDED.....	1
17A	52654GT	TUBE-CABLE TRACK W/TRIM S-40**..... <i>for units with metal cable track</i>	1
17B	30670-SGT	WLDMT.CABLE TRACK SUPP.TUBE***..... <i>for units with plastic cable track</i>	1
18	73994GT	CABLETRACK,PLATED, 41 LINK.....	1
--	46677GT	REPAIR LINK,3 LINKS (STEEL).....	1
--	72268GT	END SET,STEEL43482,43483,43484.....	1
--	73994GT	CABLETRACK,PLATED, 41 LINK.....	1
--	81007GT	REPAIR LINK, 4 LINKS PLATED.....	1
19	8255GT	SCREW,HHC,3/8-16 X .75.....	2
20	6021GT	WASHER,LOCK,.375.....	2
21	6097GT	WASHER,FLAT,USS,3/8",Y.....	2
22	44081-SGT	COVER,CABLE TRACK.....	1
23	88356 11165GT	SWITCH,LIMIT,W/RLLR ARM,NO/NC*.....	1
--	19491GT	CONTACTOR,LIMIT SWITCH.....	1
--	97128GT	ROLLER ARM,LIMIT SWITCH***.....	1
24	6179GT	SCREW,RHM,10-32 X 1.25.....	2
25	6607GT	WASHER,LOCK,#10 PLTD.....	4
26	43960GT	WIRE CABLE,16/4 CON.TPE JKT.....	312-inches
27	52653GT	CABLE TRACK TRAY ASSY W/TRIM.....	1
28	31411GT	WEAR PAD,CABLE TRACK.....	2
29	34954GT	SHIM,SIDE PAD 16GA.1.5 X 3.5.....	4

Item	Part No.	Description	Qty.
30	43191P-SGT	PLATE,CABLE TRACK,PAINTED.....	1
31	56912GT	SPRING CLIP,1/4-20,.025-.15X.54,ZAG.....	4
32	40653GT	ROLLER,UHMW.....	1
33	43128GT	SLIDER BAR.....	1
34	36204P-SGT	BRACKET,LIMIT SWITCH EXT,BLUE*.....	1
35	8179GT	SCREW,HHC,1/4-20 X 2.25.....	2
36	41031P-SGT	ANGLE,CABLE TRACK TUBE,PAINTED.....	1
37	41029GT	WEAR PAD,3 X 2 X .5 W/INSERT.....	1
38	41030GT	WEAR PAD,2.25 X 2.50 X .5.....	1
39	22832GT	SCREW,HHC,3/8-16 X 6.....	3
40	7713GT	NUT, LP NYLOCK, 3/8-16.....	3
41	36593GT	WELDMENT,CABLE TRACK GUIDE**.....	1
42	6145GT	SCREW,HHC,1/4-20 X 1.5.....	2
43	25072P-SGT	HOSE COVER,LWR CABLE TRK,BLUE.....	1

Footnotes

1: Quantity listed for this item is approximate. Actual quantity may vary to ensure proper fit.

605.1 Slave Cylinder and Platform Rotator, S-40 models



605.1 Slave Cylinder and Platform Rotator, S-40 models

Item	Part No.	Description	Qty.	Item	Part No.	Description	Qty.
1	824164GT	SNAP RING,EXTERNAL,1.25,ZAG.....	2	17A	94398GT	ROTATOR,PLAT,NON-JIB.....	1
2	30255GT	WASHER,SHIM,1.27 X 2.13 X .062.....	4			(INCLUDED IN ROTATOR UPDATE KIT PART NO 77874 and 111172); from SN 5594	
3		Ref. Boom Assembly (refer to Figure 6-B).....	4	17B	77874GT	ROTATOR ASSEMBLY,8.2K***.....	1
4	30728GT	PIN,1.25DIAX7.17LG,2RING.....	1			ROTATOR UPDATE KIT, REQUIRED FOR FIRST TIME REPLACEMENT OF PREVIOUS ROTATOR PART NO 30669; from SN 831 to 5278	
5	30727GT	PIN,ROTATOR,8.13 X 1.25 INCH.....	1	17C	111172GT	STICK BOOM ROTATOR SERVICE KIT ROTATOR UPDATE KIT, REQUIRED FOR FIRST TIME REPLACEMENT OF PREVIOUS ROTATOR PART NO 73499; from SN 5279 to 5593	
--	T108076GT	PIN,1.25DIAX7.88LG,1HOLE.....	1			from SN 6209	
6	825019GT	ROD END,.375X3.69,ZAG.....	2	--	106421GT	SEAL KIT,ARCTIC,ROTATOR 8.2K**.....	1
7	8516GT	SCREW, HCC, 3/8-16 X 1.50.....	2			for rotator 73499 and 73917	
8	4828GT	NUT,NYLOCK,3/8-16.....	2	--	122944GT	SEAL KIT,8K ROTATOR***	
9	10597GT	SCREW,HHC,1/2-13 X 1.25 GR5.....	6			for rotator 94398	
--	27035GT	SCREW,SHC,3/8-16 X .75,BLACK.....	8	--	31498GT	BEARING KIT,ROTATOR,9K***	
		USE WITH ROTATOR PART NO 94398 (INCLUDED IN ROTATOR UPDATE KIT PART NO 77874)				for rotator 30669	
--	6175GT	SCREW,HHC,3/8-16 X 1.....	8	--	62417GT	SEAL KIT,PLAT ROTATE***.....	1
		USE WITH ROTATOR PART NO 73499				for rotator 73499 and 73917	
10	6033GT	WASHER,LOCK,0.5".....	6	--	65842GT	SEAL KIT,UNIVERSAL,9K ROTATOR*....	1
		to SN 5277				for rotator 30669	
--	6097GT	WASHER,FLAT,USS,3/8",Y.....	8	--	73807GT	MANIFOLD,ROTATOR,CB***	
		from SN 5278				(INCLUDED IN ROTATOR UPDATE KIT PART NO 77874 AND 111172)	
11	30286GT	SCREW,HHC,1-8 X 12IN GRD.2***.....	1	--	75395GT	BEARING KIT,PLAT ROTATOR,SUPER.....	1
		to SN 5277				for rotator 73499 and 73917	
--	73928GT	SCREW,HHC,1-8 X 11,GRD 5***.....	1	--	77877GT	SHAFT ADAPTER, HELAC ROTATOR....	1
		from SN 5278				(INCLUDED IN ROTATOR UPDATE KIT PART NO 77874)	
12	13775GT	WASHER,FLAT,1.063 X 2 X .134.....	2	18	T108075GT	PIN,1.25DIAX5.25LG,1HOLE.....	1
		to SN 5277		19	59266GT	BEARING, POLYGON P2055 (59105)....	4
--	38859GT	WASHER,FLAT,USS,1",Y.....	2	--	25683GT	BEARING,POLYGON,20DU12	
		from SN 5278		20	81693GT	CYLINDER,SLAVE,S40/45.....	1
13	29764GT	NUT,NYLOCK,1-8.....	1			includes 4 each index number 19 and part number 77303	
14	50144-SGT	PLATFORM SUPPORT WELDMNT***.....	1	--	31078GT	SEAL KIT,HYDRAULIC CYLINDER***.....	1
		to SN 5277				use with cylinder 30530; to SN 3425	
--	60370-SGT	PLATFORM SUPPORT WELDMNT-SERV*.....	1	--	43169GT	VALVE,COUNTERBALANCE***.....	1
		from SN 5278				use with cylinder 30530; to SN 3425	
15	30219GT	BEARING,FL,1.25ID X 1.41OD X 1.....	2	--	59050GT	SEAL KIT,2.5" BORE,1.5" ROD***.....	1
		from SN 4508 to 5628				use with cylinder 59105; from SN 3426 to 6168	
--	30219GT	BEARING,FL,1.25ID X 1.41OD X 1		--	59267GT	VALVE,COUNTERBAL.CACG-LGN@3500	
		from SN 5594				use with cylinder 59105; from SN 3426 to 6168	
--	30370GT	BEARING,1.25IDX1.5ODX1.00L.....	2	--	75469GT	SEAL KIT,CYL,S40 SLAVE (81693).....	1
		to SN 5277				use with cylinder 81693; from SN 6169	
16	13852GT	VALVE ASSY,BLEED***.....	2	--	77303GT	VALVE, CNTRBAL 3500 PSI, ATM VEN.....	1
--	88516GT	SCREW,BLEEDER,M5X0.8.....	2			use with cylinder 81693; from SN 6169	
		USE WITH ROTATOR PART NO 94398					

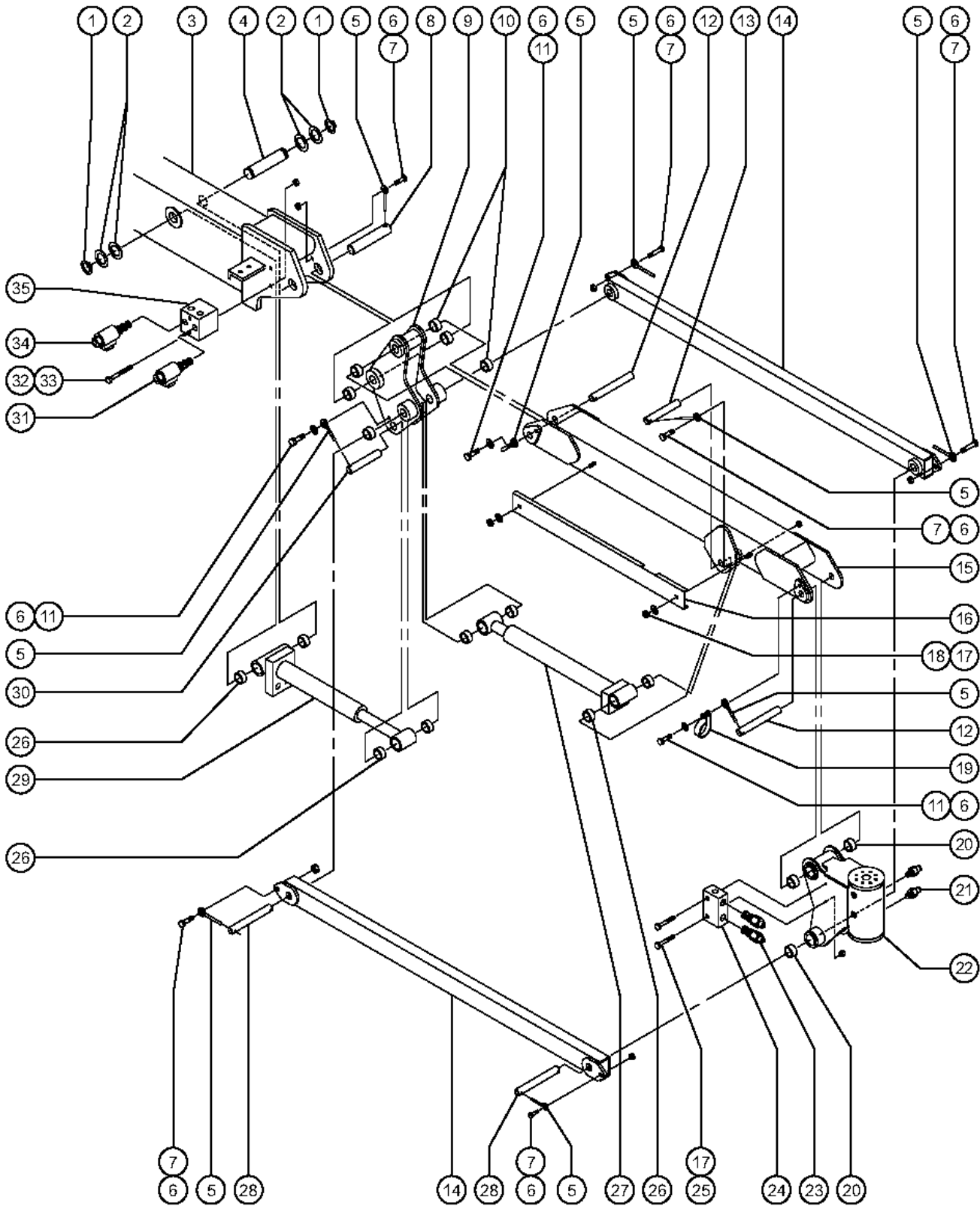
605.1 Slave Cylinder and Platform Rotator, S-40 models
(continued)

Item	Part No.	Description	Qty.
21	32722GT	VALVE,COUNTERBAL.CBCG-LJN@3000.2	
22	6637GT	SCREW,HHC,1/4-20 X 1.75.....2	
23	6356GT	WASHER,LOCK,.25.....2	
24	6638GT	WASHER,FLAT,USS,1/4"Y.....2	
25	30823GT	VALVE,DUAL CB MANIFOLD.....1 <i>includes index number 21</i>	

605.1 Slave Cylinder and Platform Rotator, S-40 models
(continued)

This Page Intentionally Left Blank

606.1 Jib Boom and Platform Rotator, S-45 models



606.1 Jib Boom and Platform Rotator, S-45 models

Item	Part No.	Description	Qty.	Item	Part No.	Description	Qty.
1	824164GT	SNAP RING,EXTERNAL,1.25,ZAG.....	2	--	122944GT	SEAL KIT,8K ROTATOR*** <i>for rotator 94397</i>	
2	30255GT	WASHER,SHIM,1.27 X 2.13 X .062.....	4	--	31498GT	BEARING KIT,ROTATOR,9K***.....	1
3		Ref. Boom Assembly (refer to Figure 603.1).....	4	--	62417GT	SEAL KIT,PLAT ROTATE*** <i>for rotator 60505, 73498</i>	
4	T108079GT	PIN,1.25DIAX8.30LG,2RING.....	1	--	65842GT	SEAL KIT,UNIVERSAL,9K ROTATOR*....	1
5	825019GT	ROD END,,375X3.69,ZAG.....	9	--	75395GT	BEARING KIT,PLAT ROTATOR,SUPER.....	1
6	8516GT	SCREW, HCC, 3/8-16 X 1.50.....	9	--	77877GT	SHAFT ADAPTER, HELAC ROTATOR....	1
7	4828GT	NUT,NYLOCK,3/8-16.....	6	--	94397GT	ROTATOR,PLAT JIB,160 DEG***.....	1
8	T108078GT	PIN,1.25DIAX9.50LG,1HOLE.....	1	23	32722GT	VALVE,COUNTERBAL.CBCG-LJN@3000.2 <i>for manifold 30823</i>	
9	89801GT	BELLCRANK ASSY W/BEARINGS.....	1	--	62506GT	VALVE - COUNTERBALANCE**.....	2
10	35675GT	BEARING,FL,1.25IDX1.5ODX1.25L.....	6	24	30823GT	VALVE,DUAL CB MANIFOLD.....	1
11	6021GT	WASHER,LOCK,,375.....	3	--	73807GT	MANIFOLD,ROTATOR,CB***.....	1
12	T108076GT	PIN,1.25DIAX7.88LG,1HOLE.....	2	25	8179GT	SCREW,HHC,1/4-20 X 2.25.....	2
13	T108077GT	PIN,1.25DIAX7.00LG,1HOLE.....	1	26	1262634GT	BUSHING,POLYGON,BM5121.....	8
14	61306-SGT	COMPR.LINK,MACHINED,GND CONTR*.....	2	27	63213GT	CYLINDER,JIB (STICK BOOMS).....	1
15	128513GT	SERVICE KIT,5FT JIB.....	1	--	33428GT	VALVE,COUNTERBALANCE.....	1
--	128515GT	SERVICE KIT, 5FT JIB, ARCTIC <i>required for first time replacement (includes part number 128534 and 128454)</i>		--	63353GT	SEAL KIT,CYL,S65 (63213).....	1
--	128534GT	JIB BOOM ASSY W/WORD DECAL <i>use ONLY if service kits 128513 or 128515 have been installed on the machine</i>		28	81175GT	PIN,1.25DIAX14.45LG,2HOLE.....	2
16	54527-SGT	CABLE COVER,JIB***.....	1	29	63210GT	CYLINDER,SLAVE,3 X 11.38***.....	1
--	128454PGT	COVER, JIB HOSES/CABLES.....	1	--	43169GT	VALVE,COUNTERBALANCE***.....	2
17	6091GT	NUT,NYLOCK,1/4-20.....	4	--	59267GT	VALVE,COUNTERBAL.CACG-LGN@3500.2 <i>to SN 6165 (for blue cylinder)</i>	
18	6356GT	WASHER,LOCK,,25.....	4	--	63350GT	SEAL KIT,CYL (63210).....	1
19	32339GT	CLAMP,1.75,#28 X 3/8,RUB CUSH*.....	1	--	77303GT	VALVE, CNTRBAL 3500 PSI, ATM VEN.....	2
20	30219GT	BEARING,FL,1.25ID X 1.41OD X 1.....	4	30	T108075GT	PIN,1.25DIAX5.25LG,1HOLE.....	1
--	30370GT	BEARING,1.25IDX1.5ODX1.00L <i>for rotator 73498, 60505, 94397</i>		31	62267GT	VALVE,SOLENOID N/C (SHORT)***.....	1
21	13852GT	VALVE ASSY,BLEED***.....	2	--	45912GT	NUT,SOLENOID VALVE 2P3W.....	1
--	88516GT	SCREW,BLEEDER,M5X0.8.....	2	--	62273GT	COIL,GREEN W/ 2 PIN CONNECTOR*.....	1
22	77875GT	ROTATOR ASSEMBLY,8.2K***.....	1	--	81043GT	COIL,SOLENOID,8 DSD 10V,W/DIO*.....	1
--	106422GT	KIT,SEAL& BEARING,ARC,ROT.9K**.....	1	--	83005GT	VALVE, SOLENOID (73616)-SHORT.....	1
		<i>replaces seals for arctic temps on rotator 60505</i>		--	89312GT	SEAL KIT, SOLENOID VALVE.....	1
				32	21604GT	SCREW,HHC,3/8-16 X 3.25.....	2
				33	7713GT	NUT, LP NYLOCK, 3/8-16.....	2

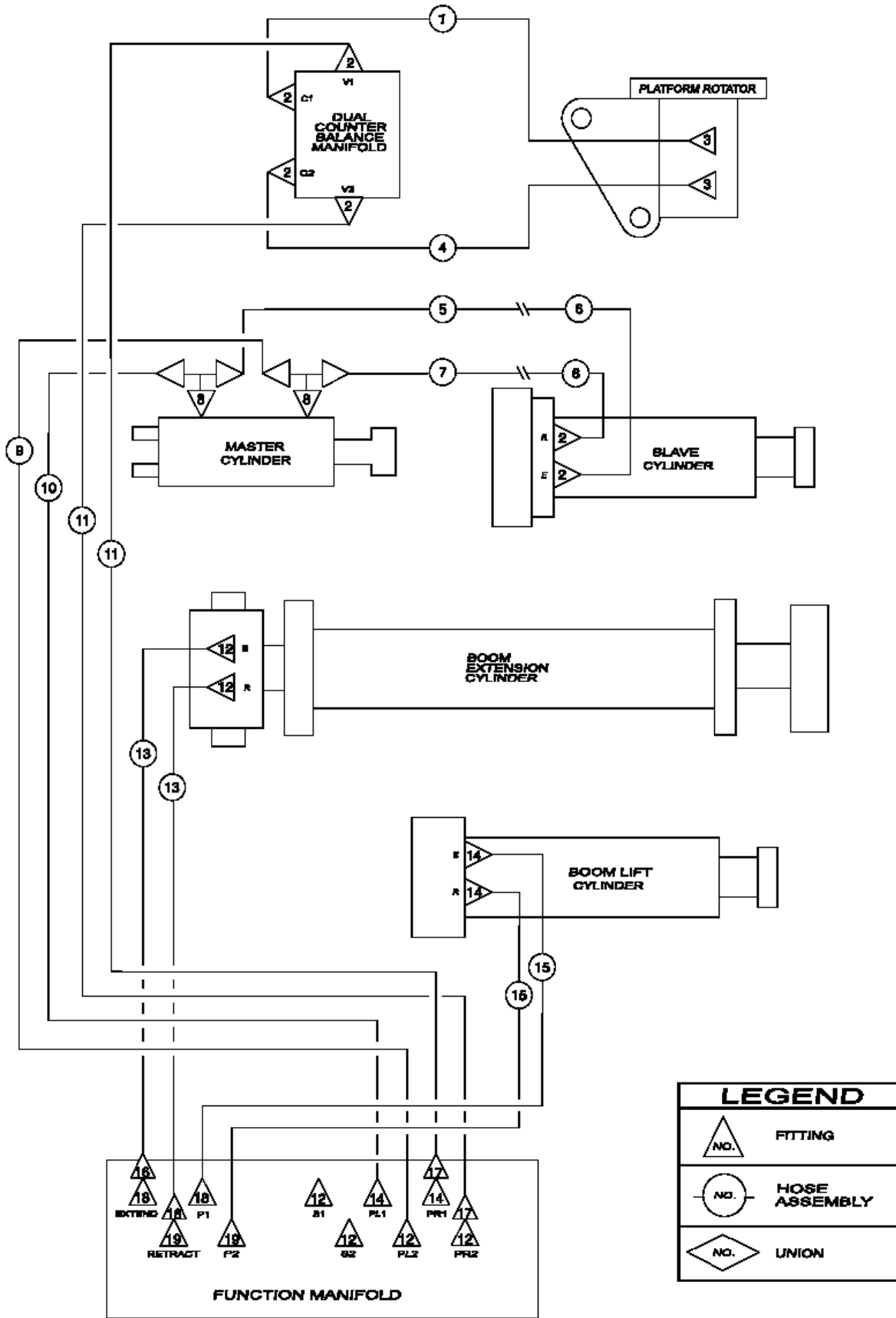
606.1 Jib Boom and Platform Rotator, S-45 models
(continued)

Item	Part No.	Description	Qty.
34	62262GT	VALVE,SOLENOID N/O (LONG)***	2
--	45912GT	NUT,SOLENOID VALVE 2P3W.....	2
--	62273GT	COIL, GREEN W/ 2 PIN CONNECTOR*.....	2
--	81043GT	COIL,SOLENOID,8 DSD 10V,W/DIO*	2
--	83006GT	VALVE, SOLENOID (73616)-LONG**	2
--	89312GT	SEAL KIT, SOLENOID VALVE.....	2
35	73616GT	MANIFOLD,JIB SELECT***..... <i>includes index numbers 31 and 34</i>	1

606.1 Jib Boom and Platform Rotator, S-45 models
(continued)

This Page Intentionally Left Blank

607.1 Hydraulic Hoses and Fittings, S-40



LEGEND	
	FITTING
	HOSE ASSEMBLY
	UNION

607.1 Hydraulic Hoses and Fittings, S-40

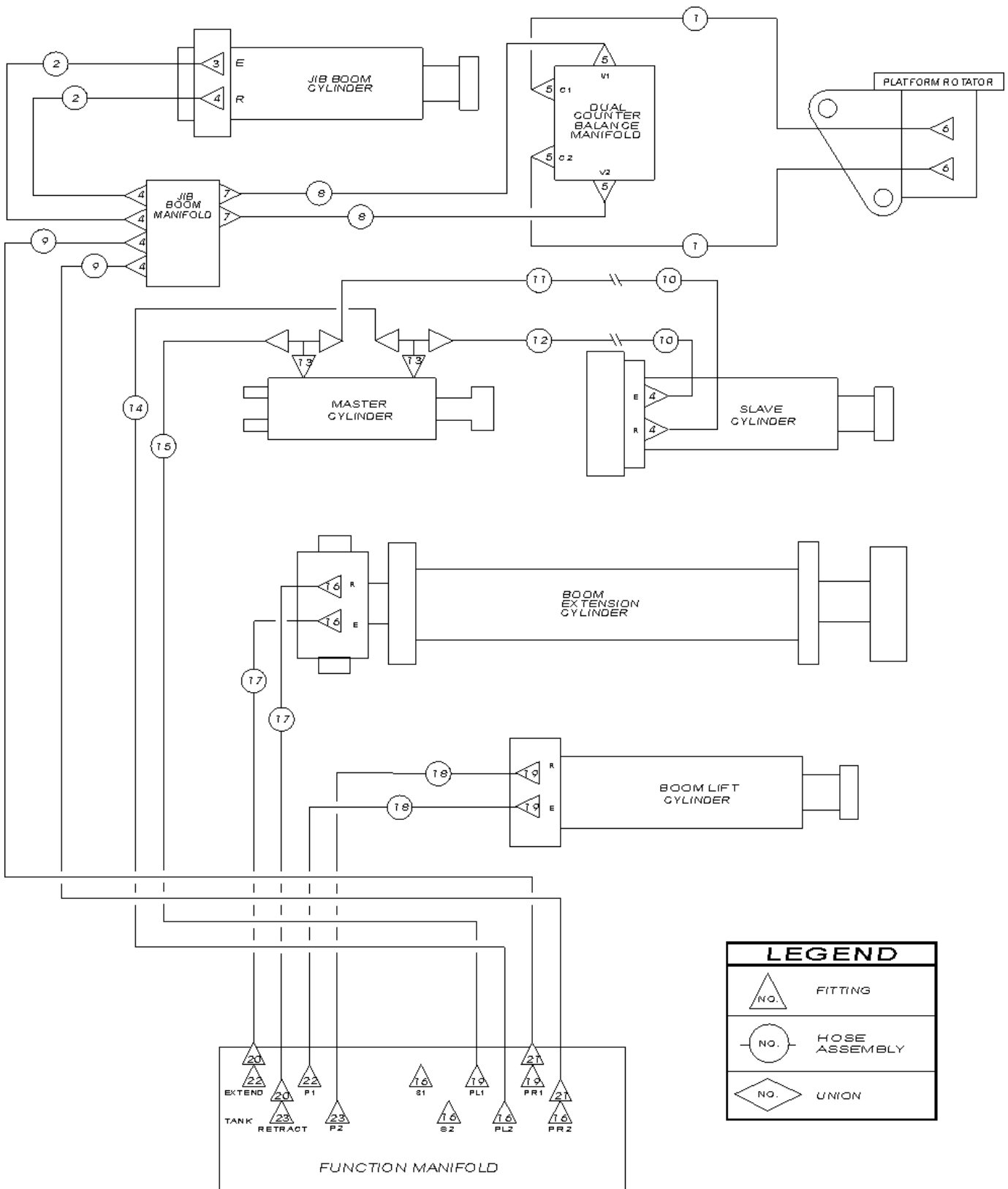
Item	Part No.	Description	Qty.
--	28750GT	O-RING KIT,FIELD SVC,ALL PROD*	
--	33994GT	PLUG AND CAP KIT-SERVICE,37 **	
--	49612GT	O-RING KIT (ORFS FITTINGS)	
--	49613GT	PLUG AND CAP KIT-SERVICE,ORFS*	
1	49119-2678GT	HOSE ASSY,1/4,STR FEM,STR FEM.....1 1	
2	48912GT	CONN,520120-4-6***.....6	
3	48911GT	ELBOW,90D,520220-4-6***.....2	
4	49119-3228GT	HOSE ASSY,1/4,STR FEM,STR FEM.....1 1	
5	49120-49381GT	HOSE ASSEMBLY,1/4".....1 2	
6	49121-4313GT	HOSE ASSEMBLY,1/4".....2 3	
7	49120-50181GT	HOSE ASSEMBLY,1/4".....1 3	
8	48919GT	TEE,BRANCH,520429-6.....2	
9	49122-10211GT	HOSE ASSEMBLY,1/4".....1 4	
10	49122-9111GT	HOSE ASSEMBLY,1/4".....1 4	
11	49163-57894GT	HOSE ASSEMBLY,1/4".....2 5	
12	48916GT	FITTING,CONN,520120-6.....6	
13	49133-13640SGT	HOSE ASSEMBLY,3/8".....2 6	
14	48917GT	CONN,LONG,520122-6.....4	
15	49129-10275GT	HOSE ASSEMBLY,3/8".....2 7	
16	48879GT	ELBOW,SWIVEL 90D, 520221-8.....2	
17	48892GT	ELBOW,SWIVEL 90D, 520221-6.....2	
18	48934GT	CONN,LONG,520122-8.....2	
19	48933GT	CONN,520120-8***.....2	

Item	Part No.	Description	Qty.
------	----------	-------------	------

Footnotes

- 1:** Hose End - Female, Swivel, ORFS (Parker No. 1JC43-4), Hose End - Female, Swivel, ORFS (Parker No. 1JC43-4) and Hose, 1/4 inch (Parker No. 451TC-4)
- 2:** Hose End - Female, Swivel, ORFS (Parker No. 1JC43-4), Hose End - Female, Swivel, ORFS (Parker No. 1JC43-6-4) and Hose, 1/4 inch (Parker No. 451TC-4)
- 3:** Hose End - Female, Swivel, ORFS (Parker No. 1JC43-4), Hose End - Male, ORFS (Parker No. 1JM43-4) and Hose, 1/4 inch (Parker No. 451TC-4)
- 4:** Hose End - Female, Swivel, ORFS (Parker No. 1JC43-6-4), Hose End - Female, Swivel, 90°, ORFS (Parker No. 1J943-6-4) and Hose, 1/4 inch (Parker No. 451TC-4)
- 5:** Hose End - Female, Swivel, 90°, ORFS (Parker No. 1J943-4), Hose End - Female, Swivel, ORFS (Parker No. 1JC43-6-4) and Hose, 1/4 inch (Parker No. 451TC-4)
- 6:** Hose End - Female, Swivel, 45°, ORFS (Parker No. 1J743-6), Hose End - Female, Swivel, ORFS (Parker No. 1JC43-8-6) and Hose, 3/8 inch (Parker No. 451TC-6)
- 7:** Hose End - Female, Swivel, ORFS (Parker No. 1JC43-6), Hose End - Female, Swivel, 90°, ORFS (Parker No. 1J943-8-6) and Hose, 3/8 inch (Parker No. 451TC-6)

608.1 Hydraulic Hoses and Fittings, S-45



LEGEND	
	FITTING
	HOSE ASSEMBLY
	UNION

608.1 Hydraulic Hoses and Fittings, S-45

Item	Part No.	Description	Qty.
--			
--	28750GT	O-RING KIT,FIELD SVC,ALL PROD*	
--	33994GT	PLUG AND CAP KIT-SERVICE,37 **	
--	49612GT	O-RING KIT (ORFS FITTINGS)	
--	49613GT	PLUG AND CAP KIT-SERVICE,ORFS*	
1	49119-1778GT	Hose Assembly - Components: @ 16 inches (41 cm).....	2
		1	
2	49117-8616GT	HOSE ASSY,1/4,90 FEM,STR FEM.....	2
		2	
3	48900GT	CONN,520120-4-6,,035,ORI.....	1
4	48912GT	CONN,520120-4-6***.....	7
5	48911GT	ELBOW,90D,520220-4-6***.....	4
6	48886GT	CONNECTOR,520120-4 SPEC.....	2
7	48913GT	CONN, 520120-4-6 0.030 ORIFICE.....	2
8	49116-8662GT	HOSE ASSY,1/4,45 FEM,STR FEM.....	2
		2	
9	49119-68278GT	HOSE ASSY,1/4,STR FEM,STR FEM.....	2
		3	
10	49121-4313GT	HOSE ASSEMBLY,1/4".....	2
		4	
11	49120-49381GT	HOSE ASSEMBLY,1/4".....	1
		5	
12	49120-50185SGT	HOSE ASSEMBLY,1/4" FEM/FEM.....	1
		5	
13	48919GT	TEE,BRANCH,520429-6.....	2
14	49122-10211GT	HOSE ASSEMBLY,1/4".....	1
		6	
15	49122-9111GT	HOSE ASSEMBLY,1/4".....	1
		6	
16	48916GT	FITTING,CONN,520120-6.....	6
17	49133-13640SGT	HOSE ASSEMBLY,3/8".....	2
		7	
18	49129-10275GT	HOSE ASSEMBLY,3/8".....	2
		8	
19	48917GT	CONN,LONG,520122-6.....	4
20	48879GT	ELBOW,SWIVEL 90D, 520221-8.....	2
21	48892GT	ELBOW,SWIVEL 90D, 520221-6.....	2
22	48934GT	CONN,LONG,520122-8.....	2
23	48933GT	CONN,520120-8***.....	2

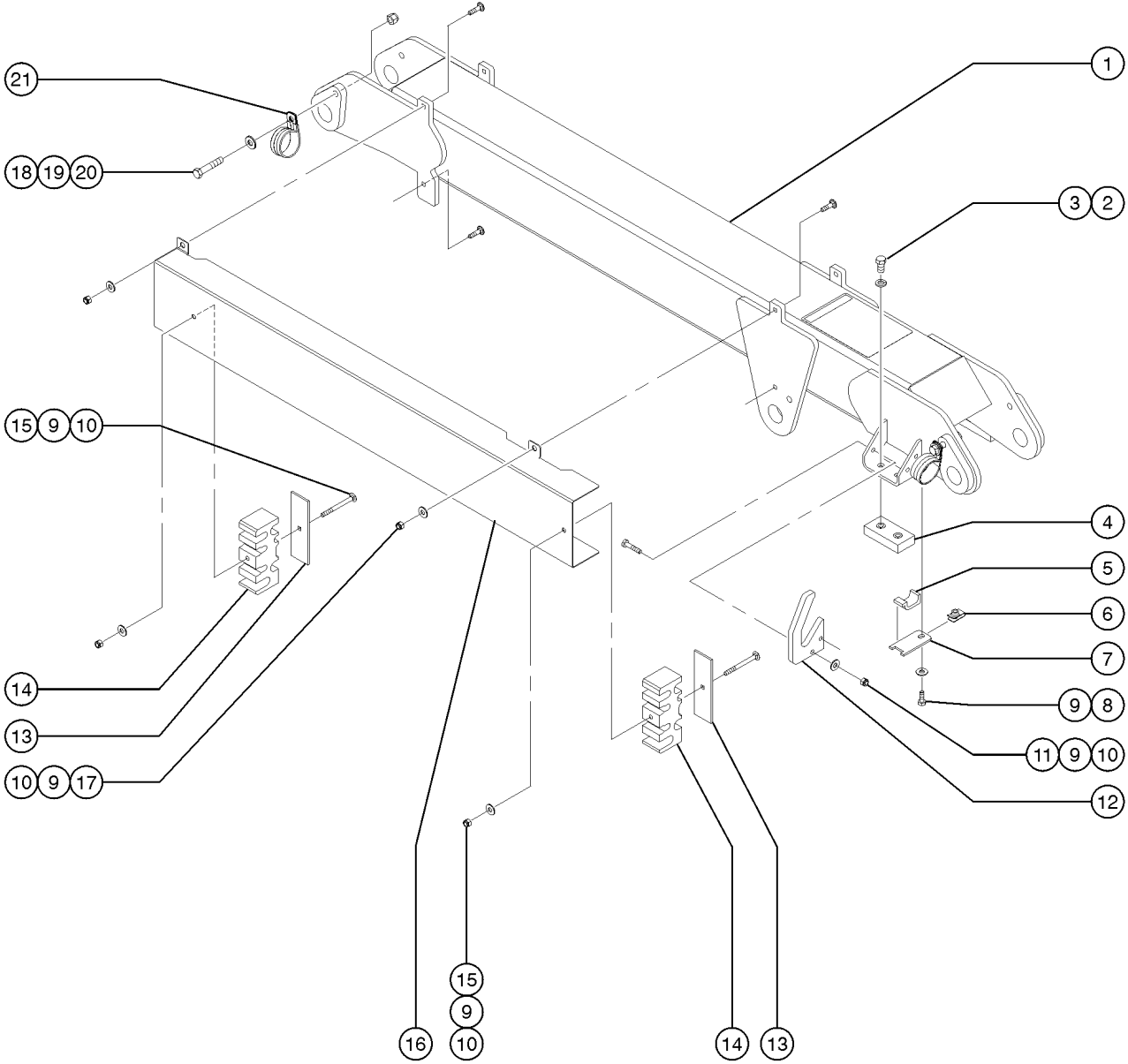
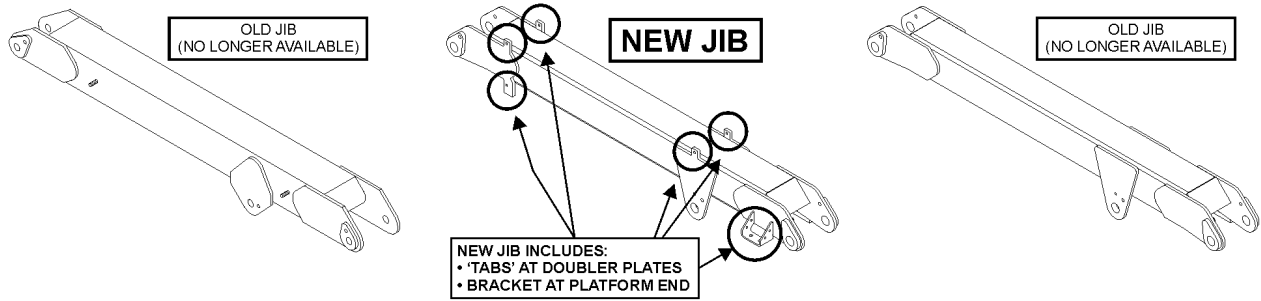
Item	Part No.	Description	Qty.
------	----------	-------------	------

Footnotes

- 1:** Hose End - Female, Swivel, ORFS (Parker No. 1JC43-4), Hose End - Female, Swivel, ORFS (Parker No. 1JC43-4) and Hose, 1/4 inch (Parker No. 451TC-4)
- 2:** Hose End - Female, Swivel, ORFS (Parker No. 1JC43-4), Hose End - Female, Swivel, 90°, ORFS (Parker No. 1J943-4) and Hose, 1/4 inch (Parker No. 451TC-4)
- 3:** Hose End - Female, Swivel, ORFS (Parker No. 1JC43-4-4), Hose End - Female, Swivel, ORFS (Parker No. 1JC43-4-4) and Hose, 1/4 inch (Parker No. 451TC-4)
- 4:** Hose End - Female, Swivel, ORFS (Parker No. 1JC43-4), Hose End - Male, ORFS (Parker No. 1JM43-4) and Hose, 1/4 inch (Parker No. 451TC-4)
- 5:** Hose End - Female, Swivel, ORFS (Parker No. 1JC43-4), Hose End - Female, Swivel, ORFS (Parker No. 1JC43-6-4) and Hose, 1/4 inch (Parker No. 451TC-4)
- 6:** Hose End - Female, Swivel, ORFS (Parker No. 1JC43-6-4), Hose End - Female, Swivel, 90°, ORFS (Parker No. 1J943-6-4) and Hose, 1/4 inch (Parker No. 451TC-4)
- 7:** Hose End - Female, Swivel, 45°, ORFS (Parker No. 1J743-6), Hose End - Female, Swivel, ORFS (Parker No. 1JC43-8-6) and Hose, 3/8 inch (Parker No. 451TC-6)
- 8:** Hose End - Female, Swivel, ORFS (Parker No. 1JC43-6), Hose End - Female, Swivel, 90°, ORFS (Parker No. 1J943-8-6) and Hose, 3/8 inch (Parker No. 451TC-6)

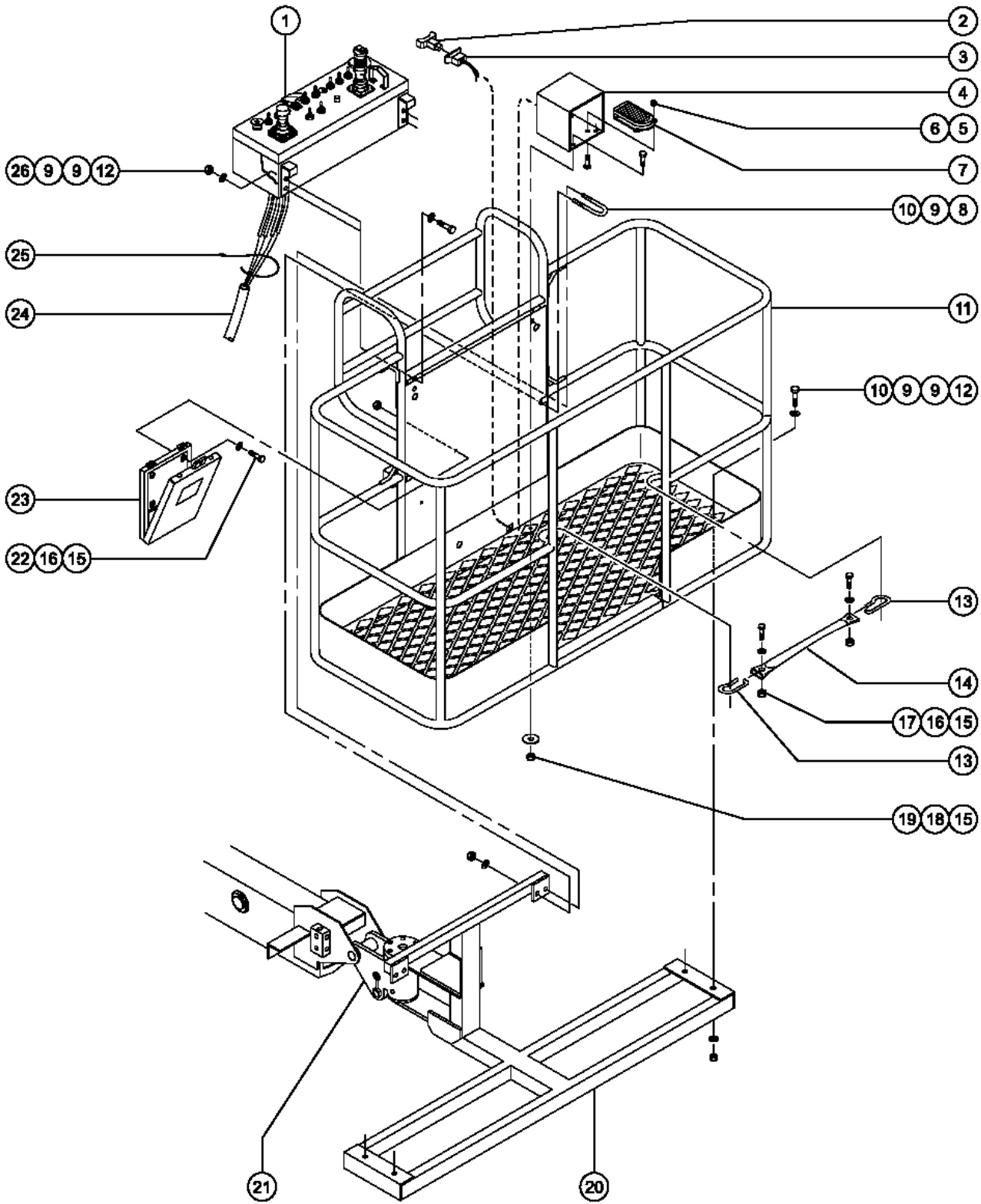
609.1 Jib Detail

NOTE: THE OLDER JIB HAS BEEN REPLACED. SEE BELOW FOR CHANGES.



Item	Part No.	Description	Qty.
1	128513GT	SERVICE KIT,5FT JIB <i>required for first time replacement (includes part number 128534)</i>	
--	128515GT	SERVICE KIT, 5FT JIB, ARCTIC <i>Arctic option, required for first time replacement</i>	
--	128534GT	JIB BOOM ASSY W/WORD DECAL.....1 <i>use ONLY if service kit 128513 has been installed on the machine</i>	
2	8255GT	SCREW,HHC,3/8-16 X .75	
3	6021GT	WASHER,LOCK,.375	
4	81640GT	WEAR PAD,3 X 1.5 X.625 W/NUTS.....1	
5	119542GT	CLAMP,TWO HOSE.....1	
6	56912GT	SPRING CLIP,1/4-20,.025-.15X.54,ZAG.....1	
7	119536PGT	BRACKET,HOSE CLAMP,PAINTED.....1	
8	6090GT	SCREW,HHC,1/4-20 X .75	
9	6638GT	WASHER,FLAT,USS,1/4"Y	
10	6091GT	NUT,NYLOCK,1/4-20	
11	8915GT	SCREW,HHC,1/4-20 X 1.25	
12	128482GT	HOSE GUIDE, JIB.....1	
13	128483GT	BACKING PLATE, HOSE BLOCK, JIB....2	
14	128501GT	CLAMP,JIB HOSE/CABLE.....2	
--	128519GT	CLAMP,JIB HOSE/CABLE,ARCTIC <i>(part of the Arctic hose option)</i>	
15	128724GT	BOLT,CARRIAGE,1/4-20 X 2.75,G2	
16	128454PGT	COVER, JIB HOSES/CABLES.....1	
17	79456GT	BOLT,CARRIAGE,1/4-20 X 1.00,G2	
18	5224GT	SCREW,HHC,3/8-16 X 2	
19	5397GT	WASHER,FLAT,USS,5/16",Y	
20	4828GT	NUT,NYLOCK,3/8-16	
21	77181GT	CLAMP,1.63,#26 X 3/8,RUB CUSH.....2	

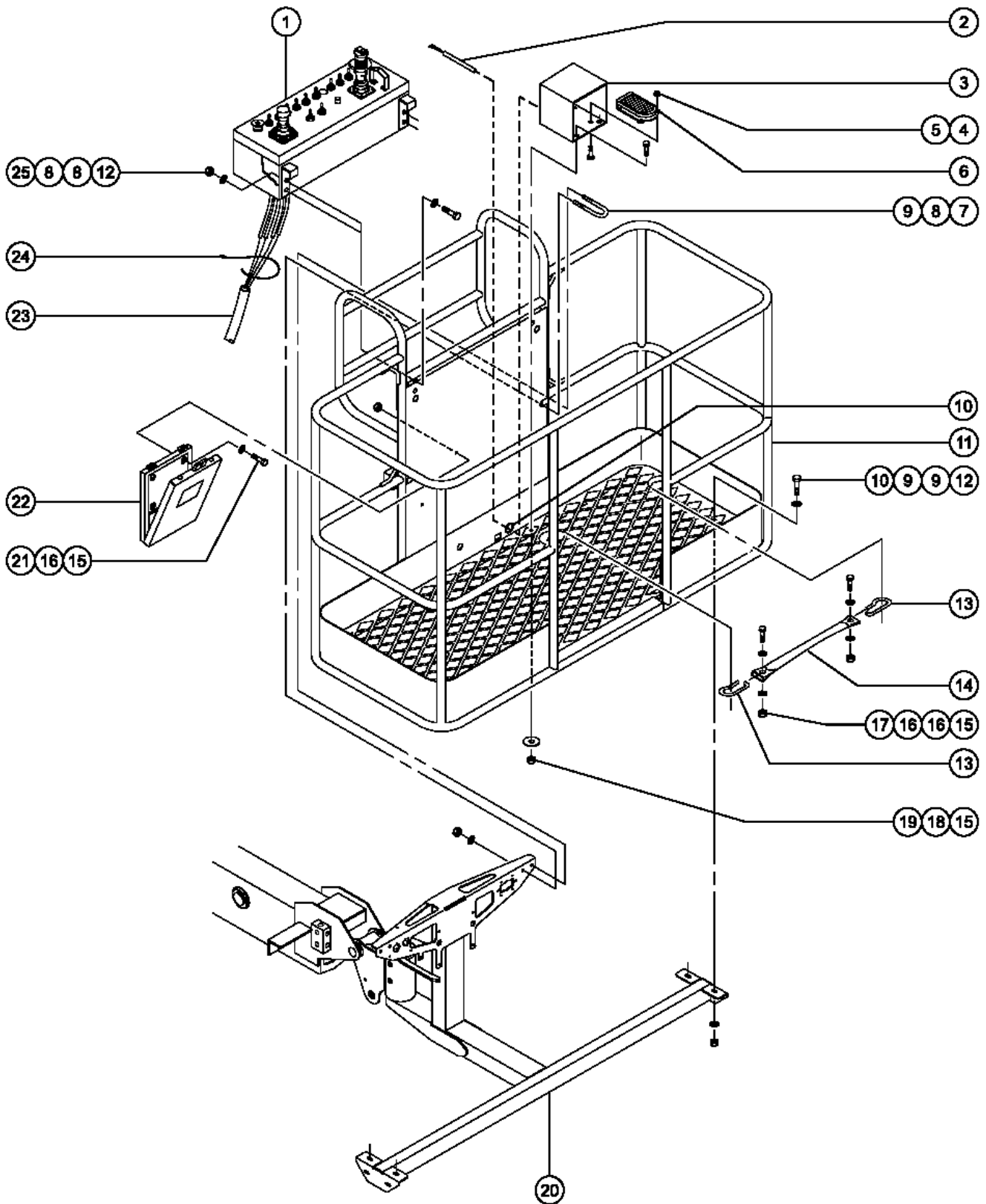
701.1 Platform Installation (to SN 2653)



701.1 Platform Installation (to SN 2653)

Item	Part No.	Description	Qty.	Item	Part No.	Description	Qty.
1	52402GT	PLAT.CNTRL.BOX COMPLETE-S40*		--	52083GT	PLAT.ASSY,EURO,8 FT,S40/60.....1 <i>CE; includes index numbers 13 through 17, 22 and 23</i>	1
1	62083GT	PLAT.CNTRL.BOX COMPLETE-S45		--	54817P-SGT	TOEBOARD,PLTFM ENTRY EUR,PNTD*1 <i>CE Platform</i>	1
2	32708GT	HARNESS ASSY, FOOTSWITCH.....1	1	12	6019GT	SCREW,HHC,3/8-16 X 1.25 GRD 5.....12	12
--	22432GT	ANDERSON HOUSING,15-45 AMP BLK.....1	1	13	12443GT	MIDRAIL GUIDE (HOOK).....2	2
--	22433GT	ANDERSON HOUSING,15-45,AMP,WHT.....1	1	14	102992GT	SLIDING MIDRAIL KIT,PTD.....1 <i>includes 2 each index numbers 13, 15, 16 and 17</i>	1
--	22434GT	ANDERSON HOUSING,15-45 AMP RED.....1	1	--	139451GT	TUBE,SLIDING MIDRAIL,PAINTED.....1	1
--	29350GT	TERMINAL,ANDERSON,15A 16-20GA...1	1	--	20973GT	WIRE LOOM,3/8 POLY SLIT.....1	1
--	40610GT	TERMINAL,PIN.....1	1	--	21121GT	CABLE TIE,4" BLK,HEAT RESISTNT.....1	1
--	43960GT	WIRE CABLE,16/4 CON.TPE JKT.....60-inches	1	15	6091GT	NUT,NYLOCK,1/4-20.....10	10
--	45200GT	SPACER,SHORT ANDERSON.....1	1	16	6638GT	WASHER,FLAT,USS,1/4"Y.....14	14
--	45313GT	PLUG,W/LATCH,4 POLE,ANDERSON...1	1	17	8915GT	SCREW,HHC,1/4-20 X 1.25.....2	2
3	32709GT	CONNECTOR ASSY,FOOTSWITCH S40.....1	1	18	49693GT	WASHER,FENDER,.25X1.50X.074.....2	2
--	22432GT	ANDERSON HOUSING,15-45 AMP BLK.....1	1	19	6888GT	SCREW,HHC,1/4-20 X 1.....4	4
--	22433GT	ANDERSON HOUSING,15-45,AMP,WHT.....1	1	20	50144-SGT	PLATFORM SUPPORT WELDMNT***1	1
--	22434GT	ANDERSON HOUSING,15-45 AMP RED.....1	1	21		Ref. Hydraulic Rotator - Platform (refer to Figure 605.1 or Figure 606.1).....1	1
--	29350GT	TERMINAL,ANDERSON,15A 16-20GA...1	1	22	6090GT	SCREW,HHC,1/4-20 X .75.....4	4
--	40610GT	TERMINAL,PIN.....1	1	23	44743GT	MANUAL BOX W/DECALS***1	1
--	43960GT	WIRE CABLE,16/4 CON.TPE JKT.....8-inches	1	24	28131GT	WIRE LOOM,1.25 DIA.....66-inches	66
--	45139GT	RECEPT.,SNAP-IN,4 POLE ANDERSN.....1	1	--	28678GT	SLEEVE,NYLON,2" I.D.,BULK(100).66-inches	66
--	45201GT	SPACER,LONG ANDERSON.....1	1	25	28443GT	CABLE TIE,11.5" BLACK.....5	5
4	32710GT	GUARD,FOOTSWITCH,W/DECAL STEEL.....1	1	26	7713GT	NUT, LP NYLOCK, 3/8-16.....4	4
5	6178GT	NUT,NYLOCK,10-32.....4	4	Footnotes			
6	17626GT	SCREW,FHM,10-32 X .75.....4	4	1: ANSI and CSA; includes index numbers 13 through 17, 22 and 23			
7	13482GT	FOOT SWITCH***1 <i>includes mounting fasteners</i>	1				
--	20262GT	MICROSWITCH,13482 FOOTSWITCH...1	1				
8	6550GT	U-BOLT,3/8 X 1 YZ.....2	2				
9	5397GT	WASHER,FLAT,USS,5/16",Y.....20	20				
10	4828GT	NUT,NYLOCK,3/8-16.....8	8				
11	1272303GT	ASSY,6FT PLAT DUAL LG,BLANK W/SIDE SWING GATE.....1 1 <i>ANSI and CSA</i>	1				
--	52081GT	PLAT.ASSY,EURO,6 FT,S40/60/80.....1 <i>CE; includes index numbers 13 through 17, 22 and 23</i>	1				
--	52082GT	PLAT ASSY,8 FT,SERV,S40/60/80.....1 <i>ANSI and CSA; includes index numbers 13 through 17, 22 and 23</i>	1				

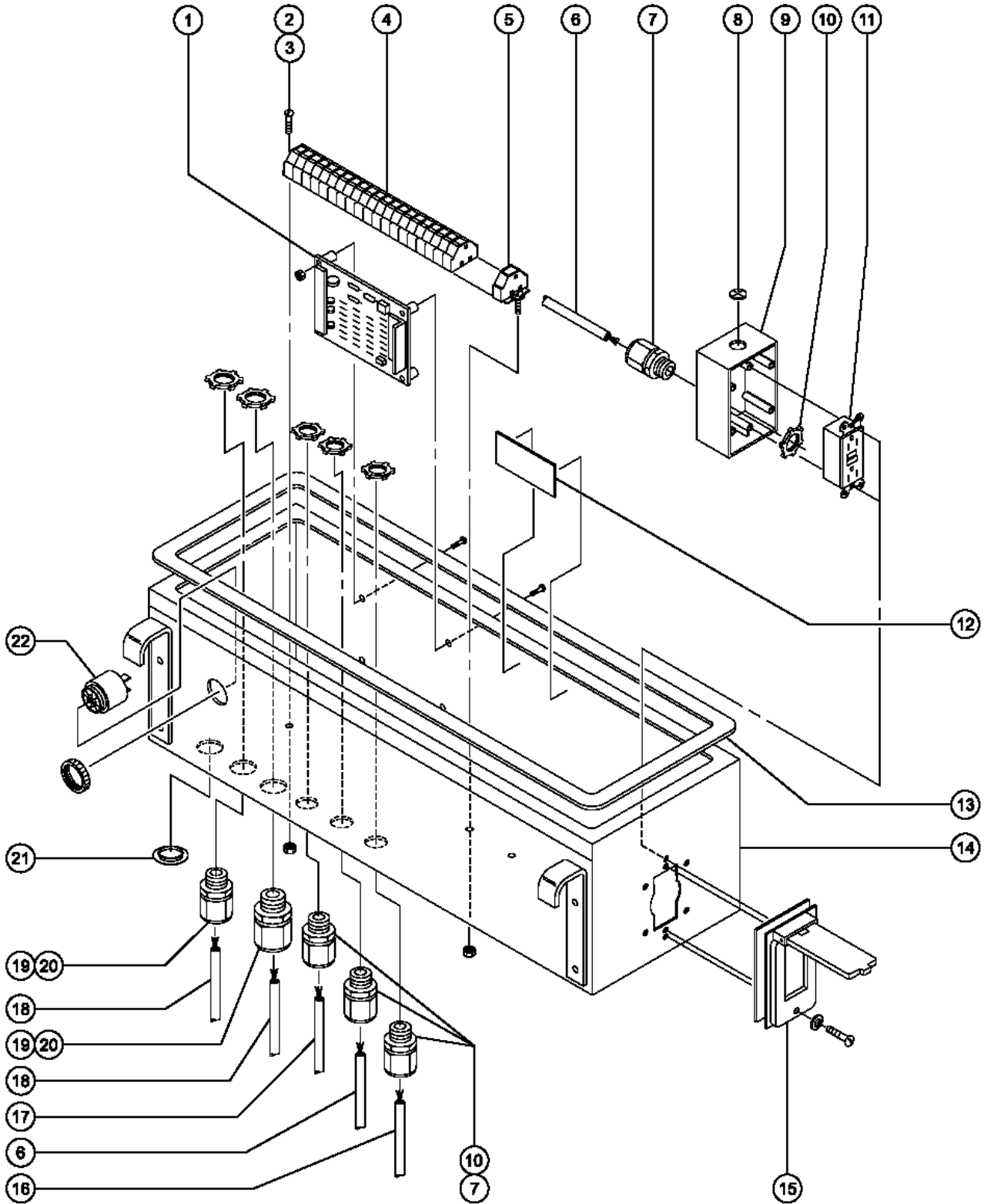
702.1 Platform Installation (from SN 2654)



702.1 Platform Installation (from SN 2654)

Item	Part No.	Description	Qty.	Item	Part No.	Description	Qty.
1	52402GT	PLAT.CNTRL.BOX COMPLETE-S40*		21	6090GT	SCREW,HHC,1/4-20 X .75.....	4
1	62083GT	PLAT.CNTRL.BOX COMPLETE-S45		22	44743GT	MANUAL BOX W/DECALS***.....	1
2	43960GT	WIRE CABLE,16/4 CON.TPE JKT.....60-inches		23	28131GT	WIRE LOOM,1.25 DIA.....	66-inches
3	32710GT	GUARD,FOOTSWITCH,W/DECAL STEEL.....	1	--	28678GT	SLEEVE,NYLON,2" I.D.,BULK(100').	66-inches
4	6178GT	NUT,NYLOCK,10-32.....	4	24	28443GT	CABLE TIE,11.5" BLACK.....	5
5	17626GT	SCREW,FHM,10-32 X .75.....	4	25	7713GT	NUT, LP NYLOCK, 3/8-16.....	4
6	13482GT	FOOT SWITCH*** <i>includes mounting fasteners</i>	1				
--	20262GT	MICROSWITCH,13482 FOOTSWITCH...	1				
7	6550GT	U-BOLT,3/8 X 1 YZ.....	2				
8	5397GT	WASHER,FLAT,USS,5/16",Y.....	20				
9	4828GT	NUT,NYLOCK,3/8-16.....	8				
10	229768GT	GROMMET,RUBBER,1.0X0.094X1.375..	1				
11	1272303GT	ASSY,6FT PLAT DUAL LG,BLANK W/SIDE SWING GATE..... <i>ANSI and CSA</i>	1				
--	52081GT	PLAT.ASSY,EURO,6 FT,S40/60/80..... <i>CE; includes index numbers 13 through 17, 21 and 22</i>	1				
--	52082GT	PLAT ASSY,8 FT,SERV,S40/60/80..... <i>ANSI and CSA; includes index numbers 13 through 17, 21 and 22</i>	1				
--	52083GT	PLAT.ASSY,EURO,8 FT,S40/60..... <i>CE; includes index numbers 13 through 17, 21 and 22</i>	1				
--	54817P-SGT	TOEBOARD,PLTFM ENTRY EUR,PNTD*..... <i>CE Platform</i>	1				
12	6019GT	SCREW,HHC,3/8-16 X 1.25 GRD 5.....	12				
13	12443GT	MIDRAIL GUIDE (HOOK).....	2				
14	102992GT	SLIDING MIDRAIL KIT,PTD..... <i>includes 2 each index numbers 13, 15, 16 and 17</i>	1				
--	139451GT	TUBE,SLIDING MIDRAIL,PAINTED.....	1				
--	20973GT	WIRE LOOM,3/8 POLY SLIT.....	1				
--	21121GT	CABLE TIE,4" BLK,HEAT RESISTNT.....	1				
15	6091GT	NUT,NYLOCK,1/4-20.....	10				
16	6638GT	WASHER,FLAT,USS,1/4"Y.....	14				
17	8915GT	SCREW,HHC,1/4-20 X 1.25.....	2				
18	49693GT	WASHER,FENDER,.25X1.50X.074.....	2				
19	6888GT	SCREW,HHC,1/4-20 X 1.....	4				
20	50144-SGT	PLATFORM SUPPORT WELDMNT***..... <i>from SN 2654 to 5277</i>	1				
--	60370-SGT	PLATFORM SUPPORT WELDMNT-SERV*..... <i>from SN 5278</i>	1				

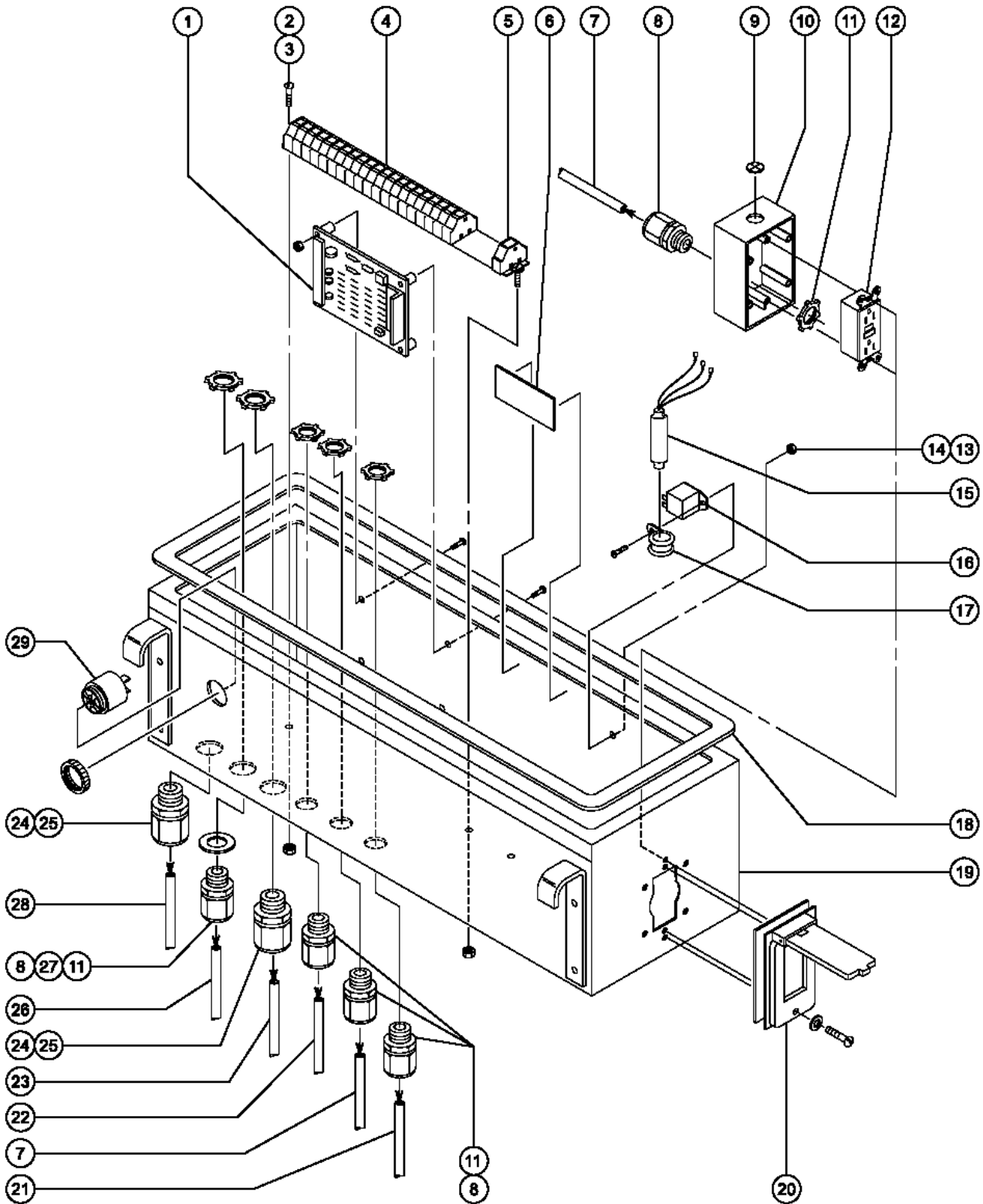
703.1 Platform Controls - View 1



703.1 Platform Controls - View 1

Item	Part No.	Description	Qty.
--	52402GT	PLAT.CNTRL.BOX COMPLETE-S40*	
1	22052GT	LIMITER PC BOARD, HORSEPOWER...1 <i>includes mounting fasteners</i>	
--	39591GT	SPACER,NYLON,.375 <i>sold separately</i>	
2	45546GT	SCREW,RHM,6-32 X .5.....2	
3	12344GT	NUT,NYLOCK,6-32.....2	
4	32637GT	TERMINAL BLOCK,WAGO.....43	
--	32638GT	TERMINAL BLOCK,WAGO.....2	
5	32639GT	END PLATE,WAGO.....1	
6	30794GT	WIRE,12/3 SJEOW,BK-WH-GR/YL.....696-inches	
7	7056GT	CONN, SQZ, 1/2NPT .38-.50, SM**.....4	
8	8843GT	COVER,KNOCK OUT HOLE,4 PER BAG.....1	
9	10775GT	T-BOX, 2.75 x 4.5 x 2.0.....1	
10	6935GT	LOCKNUT,ELEC,1/2".....4	
11	13585GT	OUTLET, 110V.....1 <i>North America</i>	
--	35003GT	RECEPTACLE, BRITISH, 110V.....1	
12	30997GT	CORROSION INHIBITOR,FOAM.....1	
13	27115GT	GASKET,UPPER CONTROL BOX.....1	
14	52365GT	CONTROL BOX W/LID & DECAL.....1 <i>includes index numbers 12, 13 and threaded inserts</i>	
--	23404GT	NUTSERT,1/4-20,STEEL CAD PLTD.....1	
15	45437GT	COVER,GFCI,WEATHERPROOF.....1 <i>includes mounting fasteners</i>	
--	33629GT	PLATE,UK POWER TO PLATFORM.....1 <i>British</i>	
--	33724GT	KIT,GASKET,UK POWER TO PLAT.....1 <i>British</i>	
16	43960GT	WIRE CABLE,16/4 CON.TPE JKT.....60-inches	
17	43955GT	WIRE CABLE,12/3 CON.TPE JKT.....720-inches	
18	48533GT	WIRE CABLE,18GA/19 CON.BNDREX.....696-inches S-40	
19	12960GT	CABLE SQUEEZE CONN.,XTRA LRG...2	
20	14041GT	LOCKNUT,ELECTRIC,3/4".....2	
21	45385GT	PLUG,NYLON 1.12 BLACK DOMED.....1	
22	45383GT	ALARM,WARBLE TONE 5-30 VDC***.....1 <i>Does not include 72326 nut</i>	
--	72326GT	NUT - PLASTIC,RING FOR ALARMS.....1	

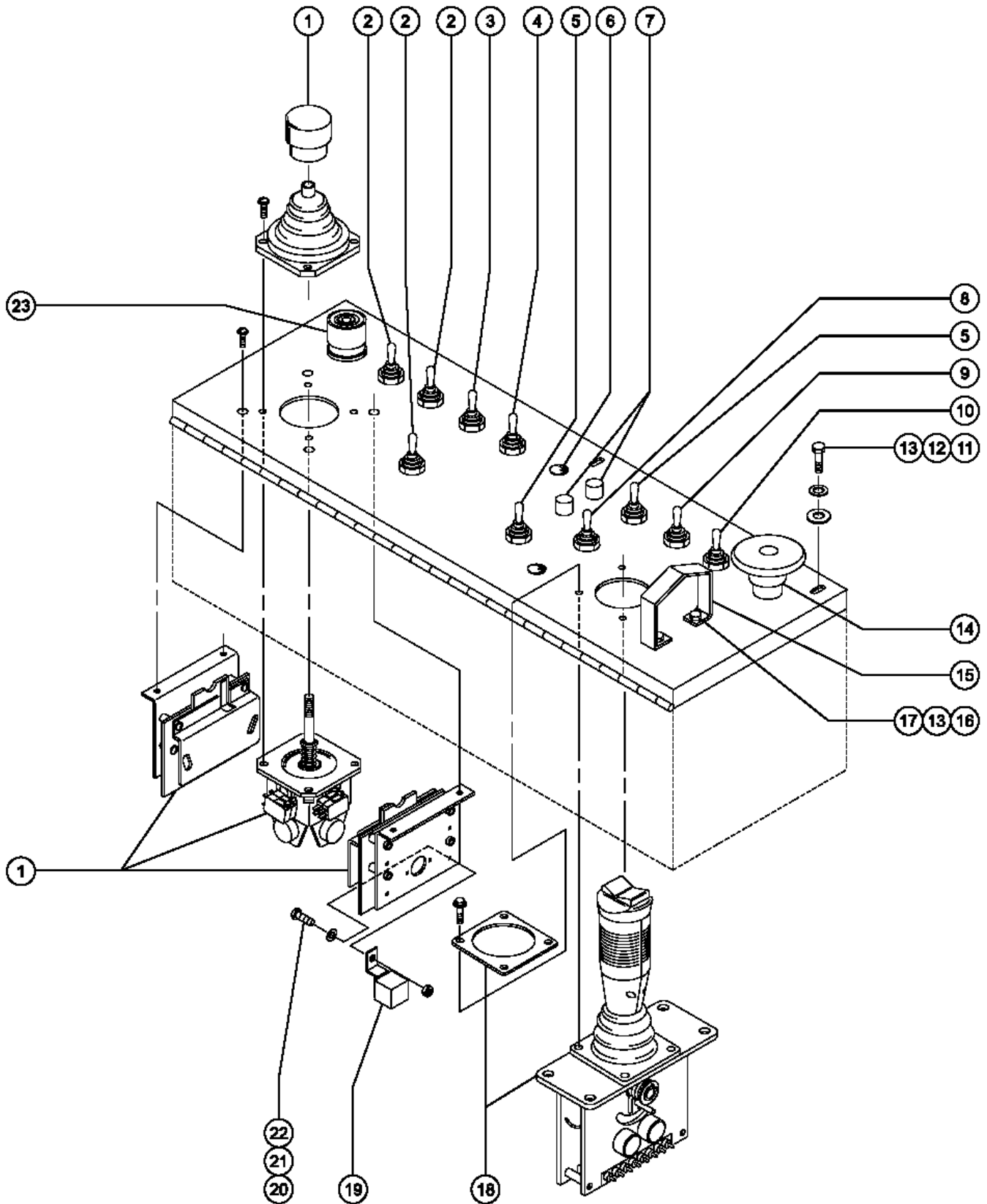
704.1 Platform Controls - View 1



704.1 Platform Controls - View 1

Item	Part No.	Description	Qty.	Item	Part No.	Description	Qty.
--	62083GT	PLAT.CNTRL.BOX COMPLETE-S45		27	34769GT	WASHER,REDUCING 3/4" TO 1/2".....1	
1	22052GT	LIMITER PC BOARD, HORSEPOWER...1 <i>includes mounting fasteners</i>		28	48533GT	WIRE CABLE,18GA/19 CON.BNDREX.....816-inches	
--	39591GT	SPACER,NYLON,.375 <i>sold separately</i>		29	45383GT	ALARM,WARBLE TONE 5-30 VDC***.....1 <i>Does not include 72326 nut</i>	
2	45546GT	SCREW,RHM,6-32 X .5.....2		--	72326GT	NUT - PLASTIC,RING FOR ALARMS.....1	
3	12344GT	NUT,NYLOCK,6-32.....2					
4	32637GT	TERMINAL BLOCK,WAGO.....43					
--	32638GT	TERMINAL BLOCK,WAGO.....2					
5	32639GT	END PLATE,WAGO.....1					
6	30997GT	CORROSION INHIBITOR,FOAM.....1					
7	30794GT	WIRE,12/3 SJEOW,BK-WH-GR/YL.....720-inches					
8	7056GT	CONN, SQZ, 1/2NPT .38-.50, SM**.....5					
9	8843GT	COVER,KNOCK OUT HOLE,4 PER BAG.....1					
10	10775GT	T-BOX, 2.75 x 4.5 x 2.0.....1					
11	6935GT	LOCKNUT,ELEC,1/2".....5					
12	13585GT	OUTLET, 110V.....1 <i>North America</i>					
--	35003GT	RECEPTACLE, BRITISH, 110V.....1					
13	6178GT	NUT,NYLOCK,10-32.....1					
14	5094GT	SCREW,RHM,10-32 X .5.....1					
15	43181GT	CAPACITOR,TIME DELAY.....1					
16	19274GT	RELAY,SPDT,12V(AUTO)**.....1					
17	13268GT	CLAMP,0.75,#12 X 1/4,RUB CUSH.....1					
18	27115GT	GASKET,UPPER CONTROL BOX.....1					
19	52365GT	CONTROL BOX W/LID & DECAL.....1 <i>includes index numbers 6, 18 and threaded inserts</i>					
--	23404GT	NUTSERT,1/4-20,STEEL CAD PLTD.....1					
20	45437GT	COVER,GFCI,WEATHERPROOF.....1 <i>includes mounting fasteners</i>					
--	33629GT	PLATE,UK POWER TO PLATFORM.....1 <i>British</i>					
--	33724GT	KIT,GASKET,UK POWER TO PLAT.....1 <i>British</i>					
21	43960GT	WIRE CABLE,16/4 CON.TPE JKT.....60-inches					
22	43960GT	WIRE CABLE,16/4 CON.TPE JKT.....840-inches					
23	48533GT	WIRE CABLE,18GA/19 CON.BNDREX.....816-inches S-45					
24	12960GT	CABLE SQUEEZE CONN.,XTRA LRG...2					
25	14041GT	LOCKNUT,ELECTRIC,3/4".....2					
26	43955GT	WIRE CABLE,12/3 CON.TPE JKT.....840-inches					

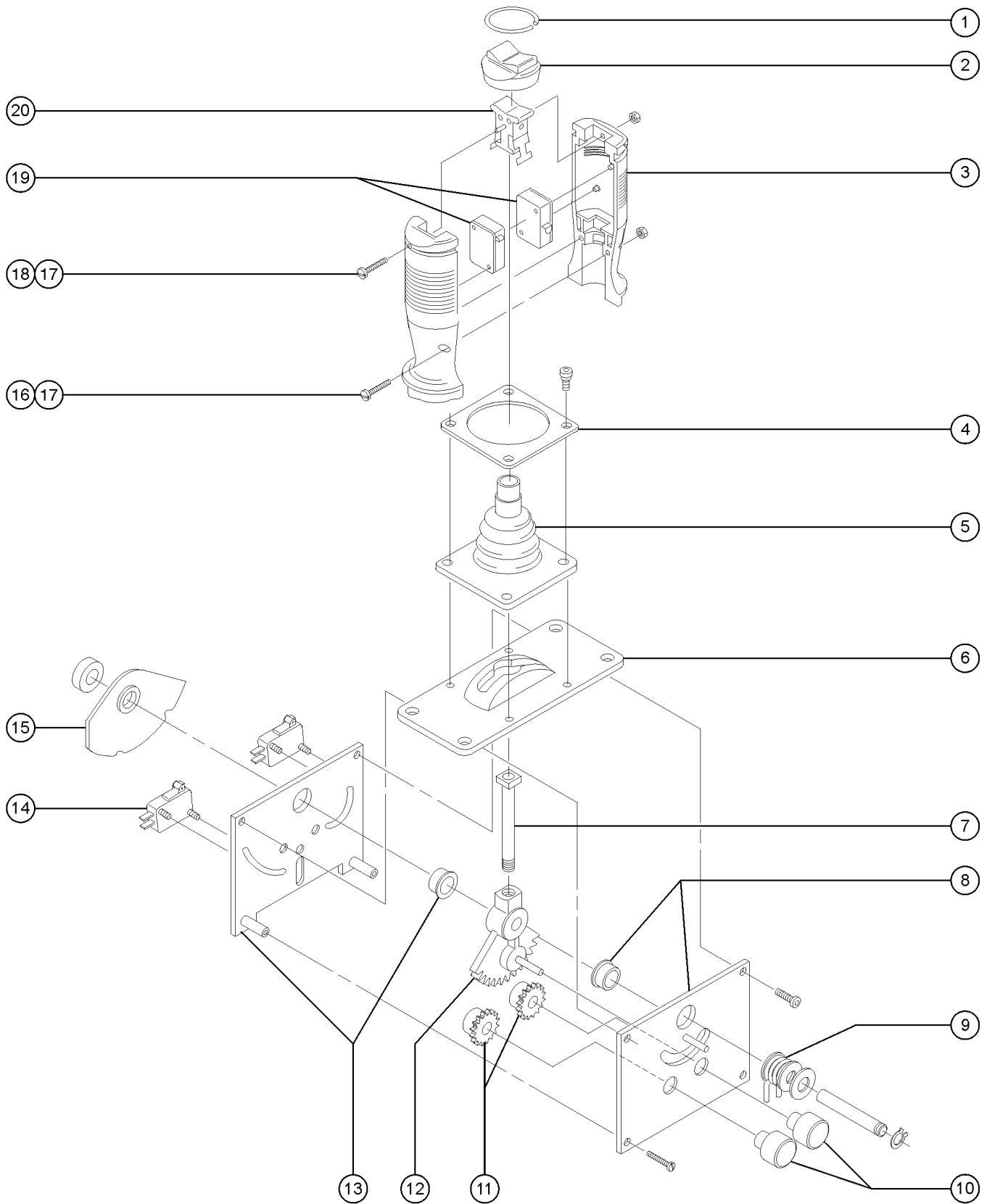
705.1 Platform Controls - View 2



705.1 Platform Controls - View 2

Item	Part No.	Description	Qty.	Item	Part No.	Description	Qty.
--	52402GT	PLAT.CNTRL.BOX COMPLETE-S40*		--	66812GT	BUTTON,PUSH,RED MUSHROOM HEAD.....	1
--	62083GT	PLAT.CNTRL.BOX COMPLETE-S45		--	66818GT	CONTACT,NC.....	1
1		Ref., JOYSTICK,MULT AXIS CONT,OEM***.....	1	--	66821GT	BASE,WITHOUT CONTACTS.....	1
		<i>refer to 707.1</i>		15	27033PGT	SUPPORT,WRIST,PAINTED-BLUE.....	1
2	128202GT	SWITCH TOGGLE ASSY DPDT 3P MOM.....	3	16	8914GT	SCREW,HHC,1/4-20 X .625.....	2
		<i>includes mounting fasteners</i>		17	6091GT	NUT,NYLOCK,1/4-20.....	2
--	27246GT	BOOT,TOGGLE SWITCH,SHORT*.....	3	18		Ref., JOYSTICK CONTROLLER,12V.....	1
--	54692GT	SPACER,NYLON,.718 X .526 X.219.....	3			<i>refer to 706.1</i>	
3	128200GT	SWITCH TOGGLE ASSY SPDT 3P MOM.....	3	19	19274GT	RELAY,SPDT,12V(AUTO)**.....	1
		<i>includes mounting fasteners</i>		20	49819GT	SCREW,PHILLIPS,PHM,10-32 X .5	
--	27246GT	BOOT,TOGGLE SWITCH,SHORT*.....	1	21	6146GT	WASHER,FLAT,MS,#10,Y.....	1
--	54692GT	SPACER,NYLON,.718 X .526 X.219.....	1	22	6178GT	NUT,NYLOCK,10-32.....	1
4	128201GT	SWITCH TOGGLE ASSY DPDT 2P MOM.....	1	23	122513GT	KIT,HORN SVC BB&SM BOOM.....	1
		<i>includes mounting fasteners</i>		--	146478GT	BOOT(BELLOWS),E-STOP,BLACK	
--	27246GT	BOOT,TOGGLE SWITCH,SHORT*.....	1	--	66813GT	BUTTON,PUSH,BLACK W/SEAL ***.....	1
--	54692GT	SPACER,NYLON,.718 X .526 X.219.....	1	--	66815GT	BASE, W/1 N.O. CONTACTS***.....	1
5	128200GT	SWITCH TOGGLE ASSY SPDT 3P MOM.....	2	--	66816GT	CONTACT,N.O.***.....	1
		<i>includes mounting fasteners</i>		Footnotes			
--	27246GT	BOOT,TOGGLE SWITCH,SHORT*.....	2	1: Quantity listed for this item is approximate. Actual quantity may vary to ensure proper fit.			
--	54692GT	SPACER,NYLON,.718 X .526 X.219.....	2				
6	229567GT	PLUG, SANTOPRENE .5 BLACK DOME.....	3				
		<i>Gasoline/LPG models</i>					
7	824879GT	LIGHT,LED IND. RED 12V NH.....	2				
--	824879GT	LIGHT,LED IND. RED 12V NH.....	1				
		1					
8	128205GT	SWITCH TOGGLE ASSY DPDT 2P MNT.....	1				
		<i>includes mounting fasteners</i>					
--	27246GT	BOOT,TOGGLE SWITCH,SHORT*.....	1				
9	128206GT	SWITCH TOGGLE ASSY DPDT 3P MNT.....	1				
		<i>includes mounting fasteners</i>					
--	27246GT	BOOT,TOGGLE SWITCH,SHORT*.....	1				
10	128204GT	SWITCH TOGGLE ASSY SPDT 2P MNT.....	1				
		<i>Gasoline/LPG models; includes mounting fasteners</i>					
--	27246GT	BOOT,TOGGLE SWITCH,SHORT*.....	1				
--	54692GT	SPACER,NYLON,.718 X .526 X.219.....	1				
11	6090GT	SCREW,HHC,1/4-20 X .75.....	3				
12	6356GT	WASHER,LOCK,.25.....	3				
13	6638GT	WASHER,FLAT,USS,1/4"Y.....	3				
14	122514GT	KIT,ESTOP SVC BB&SM BOOM.....	1				
		<i>includes parts 66812, 66818 and 66821</i>					

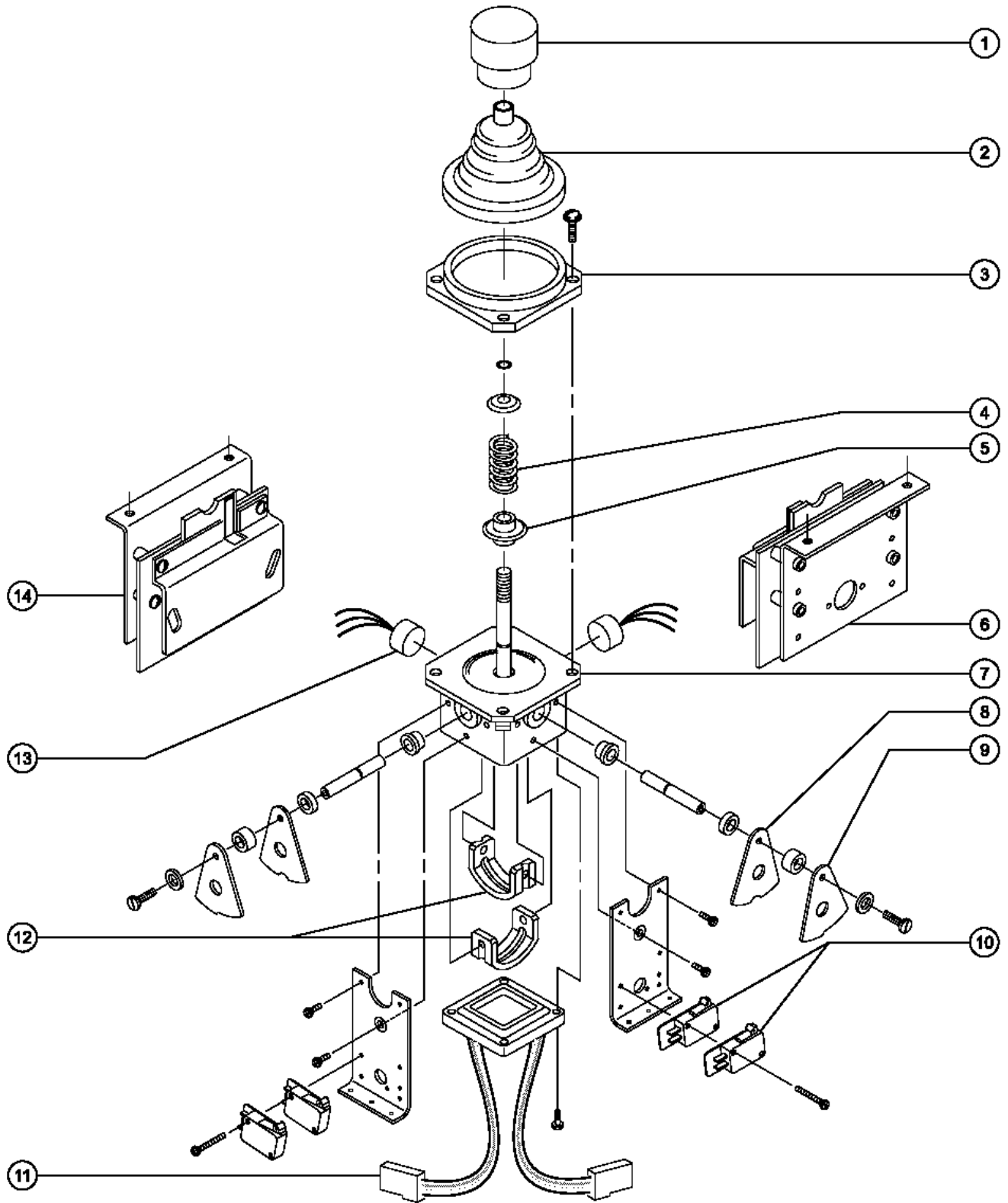
706.1 Joystick Controller - Drive/Steer Functions



706.1 Joystick Controller - Drive/Steer Functions

Item	Part No.	Description	Qty.
--	20424GT	JOYSTICK CONTROLLER,12V <i>OEM joystick, contains all shown service parts</i>	
--	20424HGT	JOYSTICK CONTROLLER,12V <i>aftermarket joystick replacement</i>	
1	25882GT	LOCK RING.....	1
2	25881GT	BOOT,THUMB 20424 JOYSTICK.....	1
3	25883GT	HANDLE HALF,JOYSTICK (20424).....	2
--	49887GT	NUT & BOLT KIT (25883).....	1
--	72245GT	KIT, JOYSTICK HANDLE <i>includes handles, rocker and nut/bolt kit</i>	
4	44221GT	COLLAR, BOOT RETAINING.....	1
5	22368GT	BOOT (20424).....	1
6	25884GT	COVER CASTING,20424 CONTROLLER.....	1
7	44211GT	SHAFT,W/NF STYL BLOCK,(20424)*.....	1
8	65535GT	POT PLATE ASSEMBLY (20424)..... <i>includes bearing and terminal strip</i>	1
--	52778GT	BEARING,FLANGED,.376ID (20424).....	2
9	58209GT	SPRING,RETURN***.....	1
10	22364GT	POTENTIOMETER (20424).....	2
11	22367GT	SPUR GEAR (20424).....	2
12	44212GT	GEAR CASTING,20424 CONTROLLER*.....	1
--	52778GT	BEARING,FLANGED,.376ID (20424)	
--	65536GT	SWITCH PLATE ASSEMBLY(20424)..... <i>includes bearing and stand-offs</i>	2
14	22365GT	SWITCH (20424).....	2
15	22366GT	CAM ASSY (20424).....	1
16	52776GT	SCREW,HEX,M4X0.7X10MM (20424)*.....	2
17	52777GT	NUT,HEX,M4 X 0.7 MM (20424)***.....	3
18	52775GT	SCREW,HEX,M4X0.7X30MM (20424)*.....	1
19	23680GT	SWITCH,HANDLE,20424.....	2
20	23688GT	ROCKER ASSY,HANDLE (20424)***.....	1

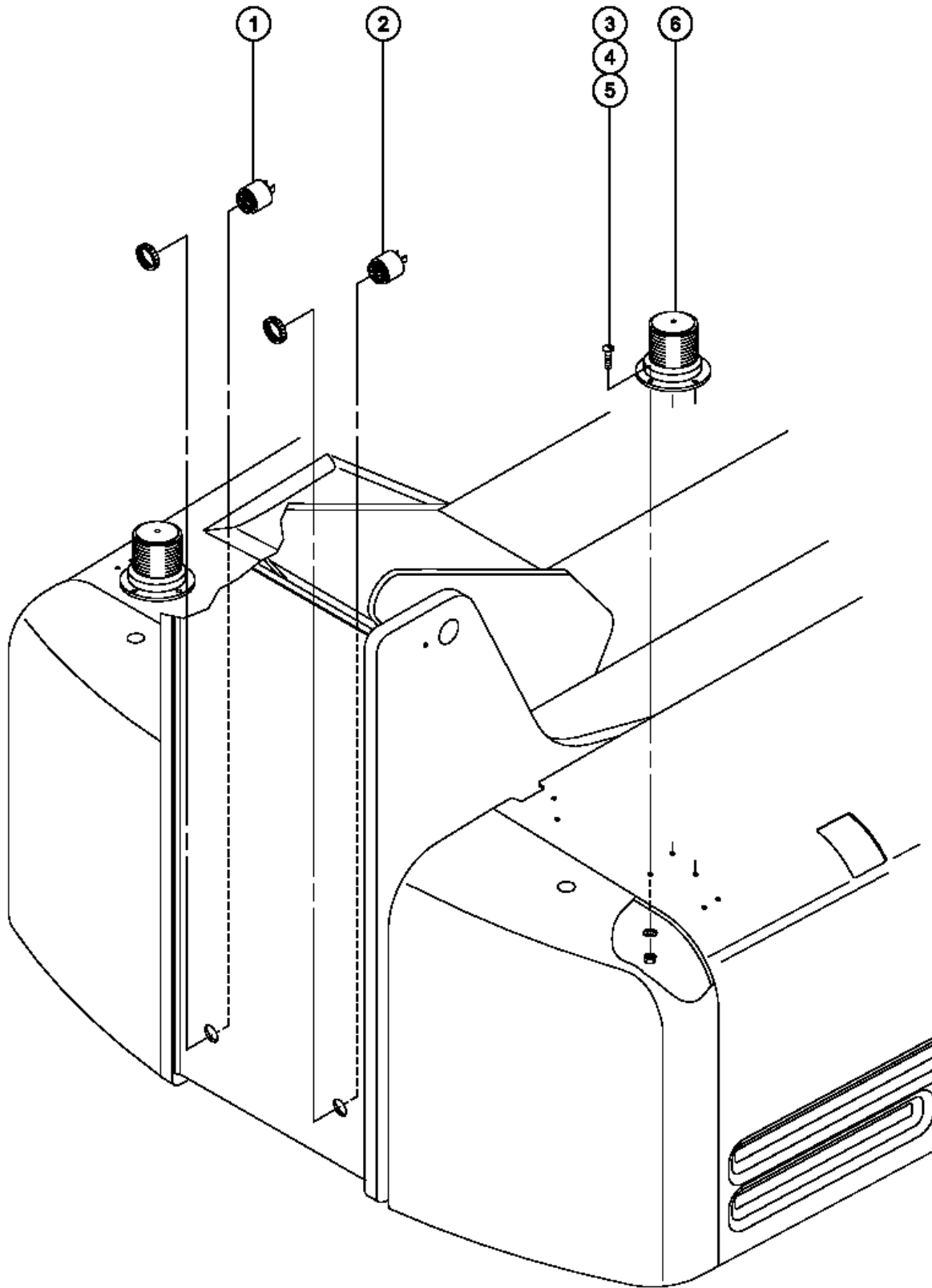
707.1 Joystick Controller - Boom Functions, Multi-axis



707.1 Joystick Controller - Boom Functions, Multi-axis

Item	Part No.	Description	Qty.
--	53073GT	JOYSTICK,MULT AXIS CONT,OEM*** <i>OEM joystick, contains all shown service parts</i>	
--	53073HGT	JOYSTICK,MULT AXIS CONT <i>aftermarket joystick replacement</i>	
--	72278GT	JOYSTICK,MULT AXIS,W/O PCB <i>joystick without pc boards</i>	
1	27133GT	HANDLE,CAP,CONTROLLER.....	1
2	27134GT	BOOT,CONTROLLER..... <i>includes 46272</i>	1
3	46272GT	FLANGE-JOYSTICK MOUNTING,44988.....	1
4	27511GT	SPRING,24493 CONTROLLER.....	1
5	31283GT	BUSHING,SPRING SEAT.....	1
6	52585GT	PCB,11179CD,(LIFT)***	1
7	52587GT	SHAFT & HOUSING ASSY.....	1
8	52588GT	DRIVE GEAR - INSIDE #53073.....	2
8A	58477GT	SHAFT (53073)***	2
9	52589GT	DRIVE GEAR - OUTSIDE #53073.....	2
10	19712GT	MICROSWITCH,V3L-139-D8.....	4
11	58923GT	SADDLE BRCKT40613,34419,53073*.... <i>harness shown for illustration purpose only</i>	1
12	37948GT	SADDLES-SET(24493,40613,53073*....	1
13	52591GT	POTENTIOMETER-JOYSTCK(53073)....	2
13	65827GT	ADAPTER (53073,52591) **	2
14	52586GT	PCB,11179AB, (SWING)***	1

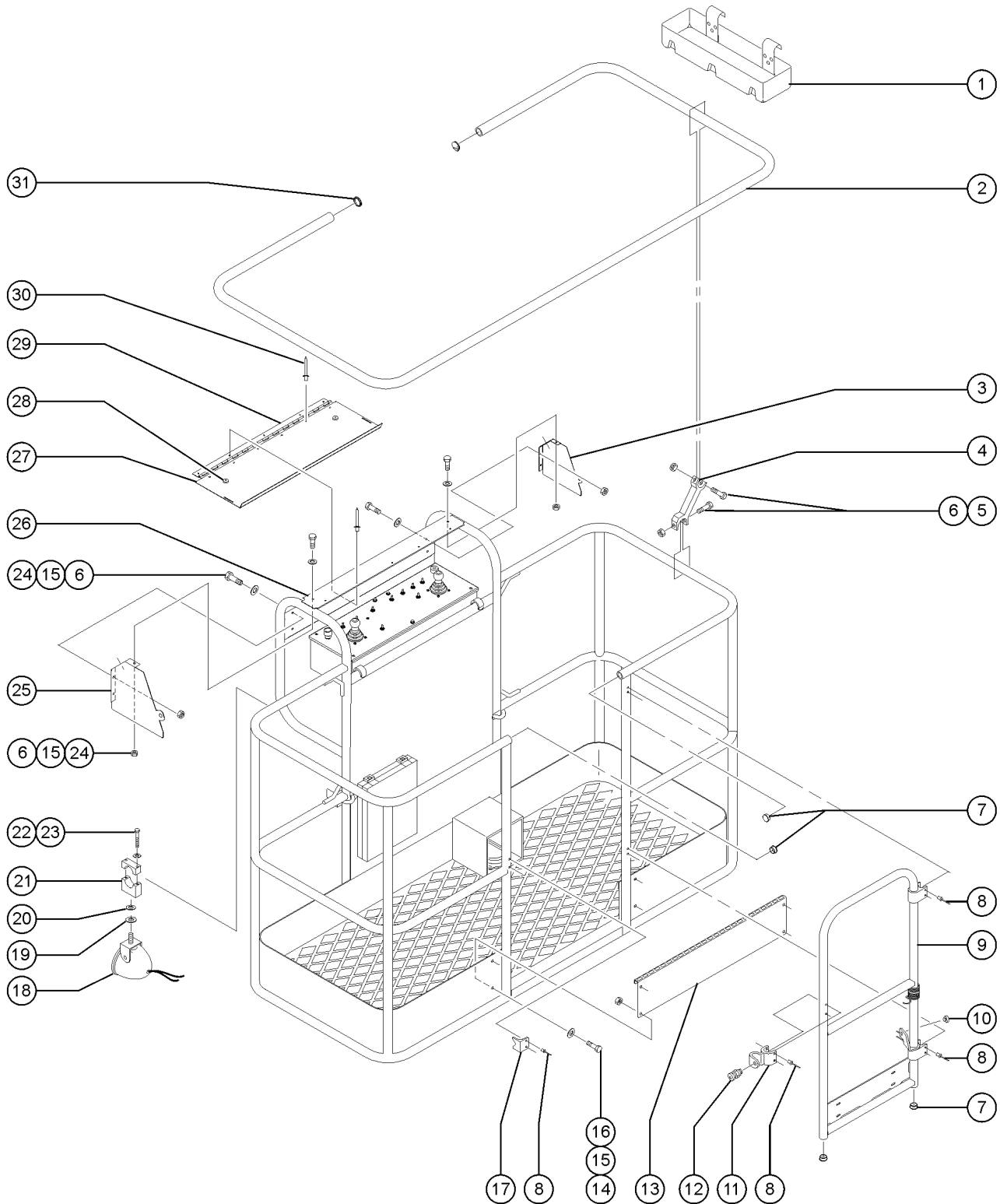
801.1 Alarm and Beacon Package



801.1 Alarm and Beacon Package

Item	Part No.	Description	Qty.
--	46985GT	ALARM PKG,S-40***	
1	45462GT	ALARM,CHIME TONE 5-25VDC***1 <i>Does not include 72326 nut</i>	
--	72326GT	NUT - PLASTIC,RING FOR ALARMS.....1	
2	18963GT	ALARM,INTERMITTENT TONE 6-30V*...1 <i>Does not include 72326 nut</i>	
--	72326GT	NUT - PLASTIC,RING FOR ALARMS.....1	
3	6147GT	SCREW,RHM,10-32 X 1.....6	
4	6146GT	WASHER,FLAT,MS,#10,Y.....6	
5	6178GT	NUT,NYLOCK,10-32.....6	
6	56704GT	STROBE,FIREBOLT,12-80VDC,AMB**...2 <i>(replaced 20189)</i>	
--	122019GT	FLASHTUBE,U SHAPED,360DEG,BULB	
--	226393GT	FLASHTUBE,STRAIGHT,360DEG,BULB	
--	72282GT	LENS,AMBER,STROBE,FIREBOLT.....2	

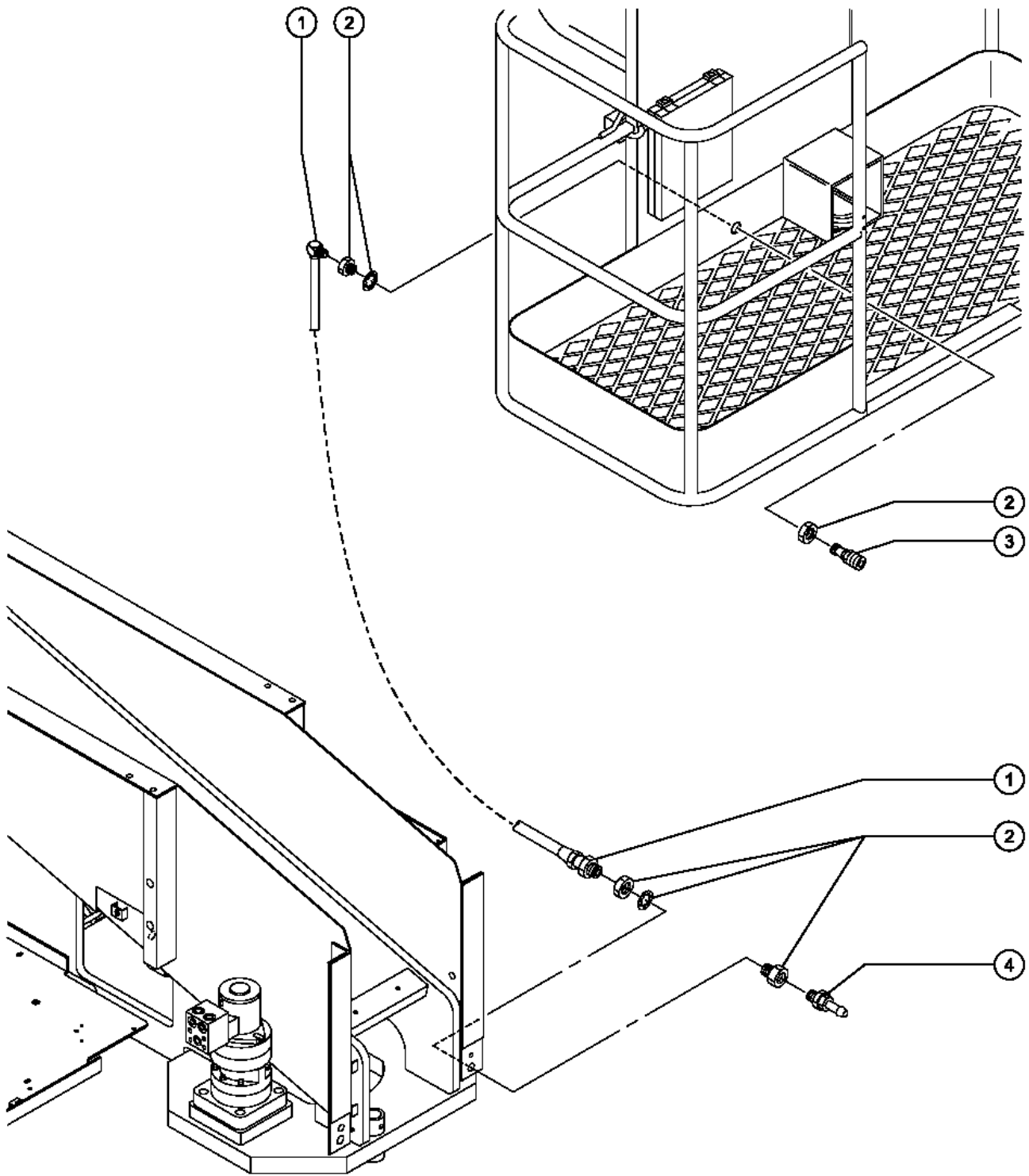
802.1 Platform Options



802.1 Platform Options

Item	Part No.	Description	Qty.	Item	Part No.	Description	Qty.
--	119950GT	KIT,FIELD INSTALL,SWING GATE		26	119562PGT	GUARD,PLATFORM CNTRL PANEL PTD	
--	28856-SGT	PLAT.PINCH GUARD,8',1.3		--	119642GT	KIT,PLAT CONTROL PANEL GUARD** <i>includes part 119562P, required for first time installation</i>	
--	34321-SGT	OPTION,WORKLIGHT,12 VOLT		27	89915PGT	COVER,CONTROL BOX LID	
--	53157-SGT	PINCH GUARD,6'(1.31")SERVICE**		--	119795GT	KIT,CONTROL BOX COVER <i>includes part 89915P, index number 26 is required for first time installation</i>	
1	9599-SGT	TOOL TRAY.....	1	28	43392GT	BUMPER,BATTERY BOX & RAILS	
2	1259704GT	PINCH GUARD RAIL,6' PLATFORM..... <i>includes 55753 bumpers</i>	1	29	111526GT	HINGE,PLAT CONTROL BOX COVER	
--	52661GT	PINCH GUARD RAIL,8' PLATFORM**.... <i>includes 2 each index number 31</i>	1	30	54486GT	RIVET,ALUM,ALUM,3/16BUTTONHEAD	
3	119797GT	CONTROL BOX COVER, RIGHT SIDE*		31	55753GT	BUMPER, PLASTIC, 1.25 O.D.....	2
4	139958GT	KIT, AUX TOP RAIL SUPPORT.....	10				
5	4266GT	SCREW,HHC,1/4-20 X 2.....	20				
6	6889GT	NUT,LP NYLOCK,1/4-20.....	20				
7	31120GT	PLUG,NYLON 1.187 BLACK DOMED....	4				
8	7265GT	RIVET,STEEL,P, .25 X .375.....	14				
9	128368GT	KIT,SWING GATE W/SPRING..... <i>includes 2 each index number 7</i>	1				
9A	119950GT	KIT,FIELD INSTALL,SWING GATE <i>includes 128368, 1487, 1488, and 33674</i>					
--	1487GT	GATE LATCH CASTING--DRILLED					
--	1488GT	RAILING CATCH CASTING--DRILLED					
--	33674GT	PIN,LOCK,SHORT***					
--	9596GT	HINGE CASTING <i>Special welding requirements for installation of this component. Strongly suggest ordering 128368 OR contact Genie Service for welding requirements.</i>					
10	43392GT	BUMPER,BATTERY BOX & RAILS.....	1				
11	1487GT	GATE LATCH CASTING--DRILLED.....	1				
12	63311GT	SNAP PIN.....	1				
13	54817P-SGT	TOEBOARD,PLTFM ENTRY EUR,PNTD*.....	1				
14	8915GT	SCREW,HHC,1/4-20 X 1.25.....	4				
15	6638GT	WASHER,FLAT,USS,1/4"Y.....	4				
16	6091GT	NUT,NYLOCK,1/4-20.....	6				
17	1488GT	RAILING CATCH CASTING--DRILLED...	1				
18	107858GT	WORKLIGHT,48 VOLT.....	2				
18A	35960GT	BULB,WORKLIGHT,12V 35W					
19	6036GT	WASHER,LOCK,.625 PLTD.....	1				
20	6035GT	WASHER,FLAT,USS,5/8",Y.....	1				
21	35956GT	BRACKET,WORK LIGHT MOUNT 5/16".....	2				
22	6145GT	SCREW,HHC,1/4-20 X 1.5.....	4				
23	6356GT	WASHER,LOCK,.25.....	4				
24	6090GT	SCREW,HHC,1/4-20 X .75.....	2				
25	119796GT	CONTROL BOX COVER,LEFT SIDE**					

803.1 Air Line to Platform



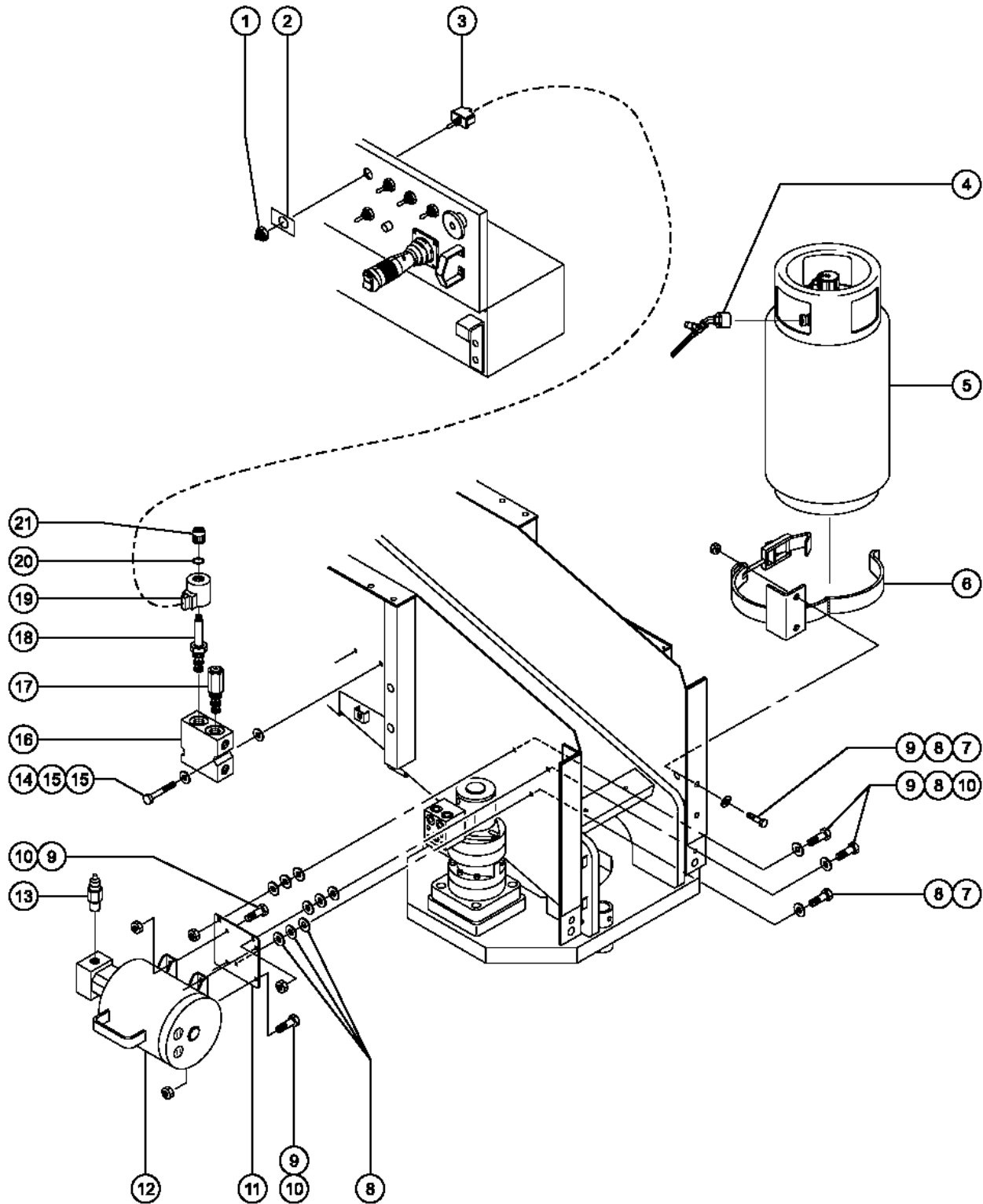
803.1 Air Line to Platform

Item	Part No.	Description	Qty.
--	30620-SGT	S40 AIRLINE TO PLATFORM	
1	49177-71294GT	HOSE ASSEMBLY,1/2".....1 1	1
2	49212GT	FEMALE BULKHEAD CONNECTOR-8...2	
3	49215GT	MPT,CPLR,1/4"SER,3/8"X18.....1	1
4	49214GT	MALE PIPE THD,1/4" SER,3/8"X18.....1	1

Footnotes

1: Hose End - Female, JIC 37°, Swivel (Parker No. 30682-8), Hose End - Female, JIC 37°, Swivel (Parker No. 30682-8) and Hose, 1/2 inch, Low Pressure (Parker No. 801-8)

804.1 Generator and Spare LPG Tank



804.1 Generator and Spare LPG Tank

Item	Part No.	Description	Qty.	Item	Part No.	Description	Qty.
--	30630GT	S40,60,80SPARE L.P.TANK W/BRKT		--	58954GT	O-RING,SPACER #115*** <i>for pump</i>	
--	46979GT	GEN.S40 3000W SERV.SYNFLEX <i>for models with Synflex hoses</i>		--	T111608GT	SEAL,RETAINING RING <i>for pump</i>	
--	46981GT	GEN S40 2000W SERV OPT <i>for models with Synflex hoses</i>		--	T111609GT	SEAL,SHAFT <i>for pump</i>	
--	52583GT	GENERATOR OPTION, 2500 WATT <i>for models with Synflex hoses</i>		--	T111610GT	SPACER <i>for pump</i>	
--	52647GT	GENERATOR OPT. 2000W(PARKER)** <i>for models with Parker hoses</i>		--	T111611GT	BEARING,MOTOR <i>for pump</i>	
--	52648GT	GENERATOR OPT.-2500W(PARKER) <i>for models with Parker hoses</i>		--	T111612GT	RETAINING RING <i>for pump</i>	
--	52649GT	GENERATOR OPT.-3000W(PARKER) <i>for models with Parker hoses</i>		--	T111613GT	SHAFT,MOTOR <i>for pump</i>	
1	27246GT	BOOT,TOGGLE SWITCH,SHORT*.....1		12C	111381GT	GEN,HYD,3000W,110V,60HZ.....1 <i>includes index number 13</i>	
2	133518GT	DECAL, PATCH, GEN,ALC-500.....1		--	147836GT	SEAL, GASKET, .00075" *GOLD* <i>for pump</i>	
3	128205GT	SWITCH TOGGLE ASSY DPDT 2P MNT.....1 <i>includes mounting fasteners</i>		--	147837GT	SEAL, GASKET, .0005" *SILVER* <i>for pump</i>	
--	54692GT	SPACER,NYLON,.718 X .526 X.219.....1		--	147838GT	SEAL, GASKET, .0010" <i>for pump</i>	
4	25967GT	HOSE ASSEMBLY,LP GAS-86" LNG**....1		--	147839GT	ASSM, GEN. ONLY, 110V, 60HZ	
5	53605GT	TANK, 7 GAL/33.5 POUND, LP.....1		--	32732GT	RECTIFIER ASSEMBLY	
6	53120-SGT	LP.TANK BRACKET TALL WLDMNT.....1 <i>from SN 2022</i>		--	52000GT	BRUSH ASSEMBLY	
--	30712GT	LP.TANK BRKT WLDMT.,SHORT.....1 <i>to SN 2021</i>		--	52001GT	HYDRAULIC MOTOR 3000W GENER	
7	6175GT	SCREW,HHC,3/8-16 X 1.....4		--	58402GT	BRIDGE,50A FULL WAVE**	
8	5397GT	WASHER,FLAT,USS,5/16",Y.....15		--	58944GT	BRUSH 3/8 X 1/4 X 15/16(36928)	
9	7713GT	NUT, LP NYLOCK, 3/8-16.....6		--	58954GT	O-RING,SPACER #115*** <i>for pump</i>	
10	6019GT	SCREW,HHC,3/8-16 X 1.25 GRD 5.....6		--	T111608GT	SEAL,RETAINING RING <i>for pump</i>	
11	34876P-SGT	PLATE,GENERATOR MOUNTING.....1		--	T111609GT	SEAL,SHAFT <i>for pump</i>	
12A	58301GT	GENERATOR,2000W,HYDRAULIC***.....1 <i>includes index number 13</i>		--	T111610GT	SPACER <i>for pump</i>	
--	32732GT	RECTIFIER ASSEMBLY		--	T111611GT	BEARING,MOTOR <i>for pump</i>	
--	32734GT	BRUSH ASSEMBLY		--	T111612GT	RETAINING RING <i>for pump</i>	
--	32736GT	MOTOR,HYDRAULIC GENERATOR		--	T111613GT	SHAFT,MOTOR <i>for pump</i>	
--	58402GT	BRIDGE,50A FULL WAVE**		13	32735GT	VALVE,PRI. FLOW REG 4.3.....1 <i>for 2000W & 2500W generators</i>	
12B	36928GT	GENERATOR,2500W HYD.220/50HZ <i>includes index number 13</i>		14	4266GT	SCREW,HHC,1/4-20 X 2.....2	
--	147836GT	SEAL, GASKET, .00075" *GOLD* <i>for pump</i>		15	6638GT	WASHER,FLAT,USS,1/4"Y.....4	
--	147837GT	SEAL, GASKET, .0005" *SILVER* <i>for pump</i>		16	53976GT	MANIFOLD,GENERATOR.....1 <i>includes index numbers 17 through 21</i>	
--	147838GT	SEAL, GASKET, .0010" <i>for pump</i>		17	44950GT	VALVE,RELIEF,1500 PSI***.....1	
--	32732GT	RECTIFIER ASSEMBLY					
--	52085GT	BRUSH HOLDER ASSY, 2500W GENER					
--	52086-RGT	MOTOR -HYD.2500W GENER REFURB.					
--	58402GT	BRIDGE,50A FULL WAVE**					

804.1 Generator and Spare LPG Tank
(continued)

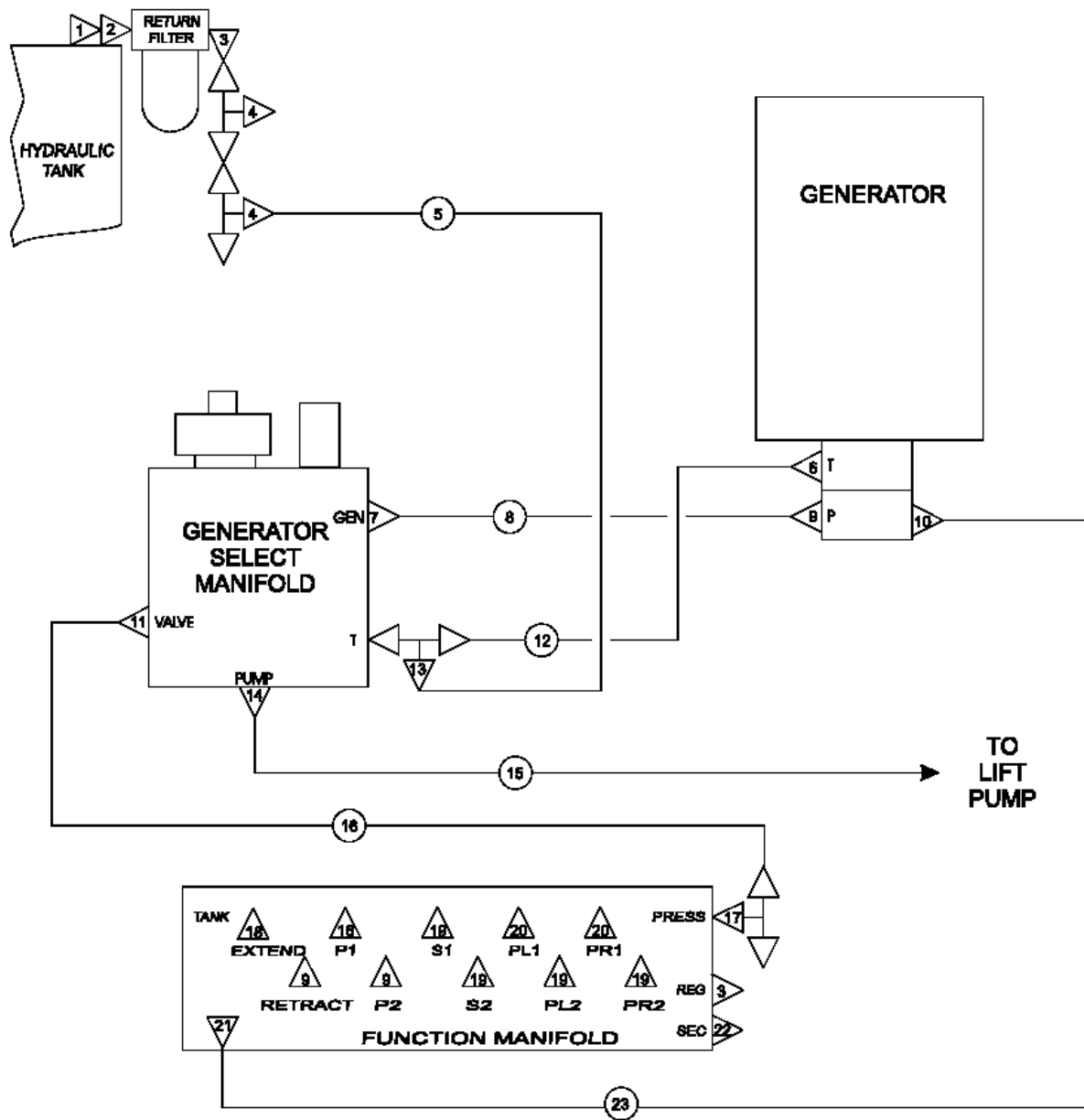
Item	Part No.	Description	Qty.
18	19969GT	VALVE,SOLENOID (18660)**1 <i>includes index numbers 19 through 21</i>	
19	27535GT	COIL,12V.DO1 VALVE.....1	
--	45782GT	DIODE,6 AMP,200 PIV,BULK.....1	
20	45914GT	O-RING, DO1 VALVE.....1	
21	33568GT	NUT, CP521-1 VALVE.....1	

804.1 Generator and Spare LPG Tank
(continued)

This Page Intentionally Left Blank

805.1 Hydraulic Hoses and Fittings - Generator Option

LEGEND	
	FITTING
	HOSE ASSEMBLY
	UNION



805.1 Hydraulic Hoses and Fittings - Generator Option

Item	Part No.	Description	Qty.
--	49612GT	O-RING KIT (ORFS FITTINGS)	
--	49613GT	PLUG AND CAP KIT-SERVICE,ORFS*	
1	48986GT	CONN,520102-16.....	1
2	49512GT	ELBOW,90DEG,FEM,1"NPT.....	1
3	49515GT	ELBOW,90D,520202-12-16.....	2
4	48964GT	FITTING,TEE,RUN,SWIVEL52043212....	2
5	49142-7062GT	HOSE ASSEMBLY,1/2".....	1
		1	
6	49203GT	ELBOW,45D,520320-10-8.....	1
7	48933GT	CONN,520120-8***.....	3
8	49143-2979GT	HOSE ASSY,1/2,90 FEM,STR FEM.....	2
		2	
9	48937GT	ELBOW,45D,520320-8.....	3
10	48905GT	CONN,520120-4***.....	1
11	48960GT	FITTING,CONN,520120-12***.....	1
12	65513GT	HOSE ASSEMBLY, 1/2".....	1
		3	
13	48935GT	TEE,RUN,520428-8.....	1
14	48958GT	CONN,520120-10-12.....	1
15	49101-7835GT	HOSE ASSEMBLY,5/8".....	1
		4	
16	49101-5910GT	HOSE ASSEMBLY, 5/8".....	1
		4	
17	48954GT	TEE,BRANCH,520429-10.....	1
18	48934GT	CONN,LONG,520122-8.....	2
19	48916GT	FITTING,CONN,520120-6.....	4
20	48917GT	CONN,LONG,520122-6.....	2
21	48912GT	CONN,520120-4-6***.....	1
22	48930GT	FITTING,CONN,520120-6-8***.....	1
23	49117-3391GT	HOSE ASSY,1/4,90 FEM,STR FEM.....	1
		5	

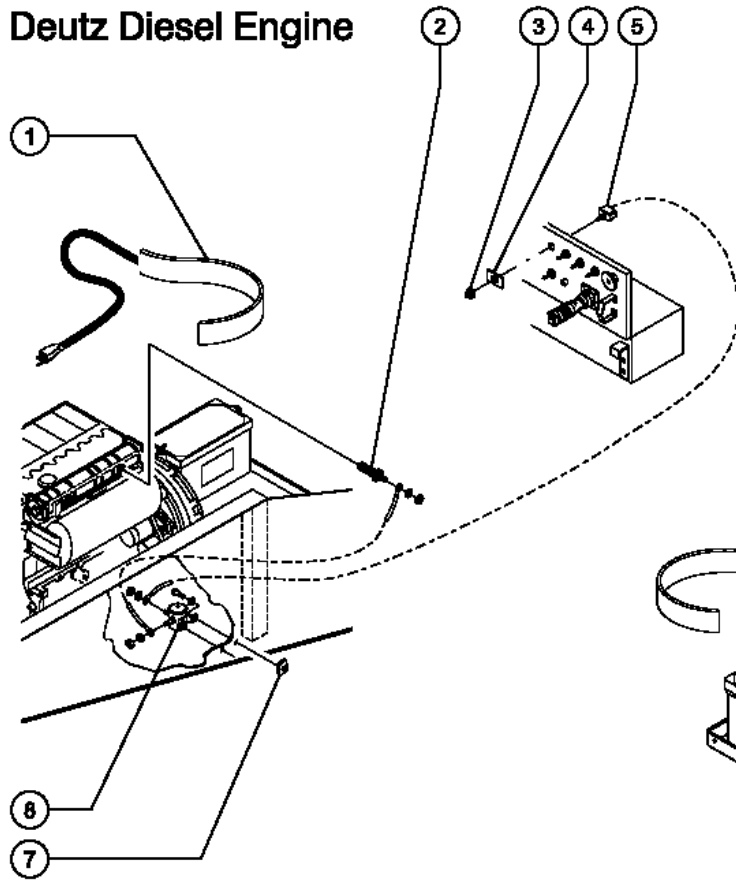
Item	Part No.	Description	Qty.
------	----------	-------------	------

Footnotes

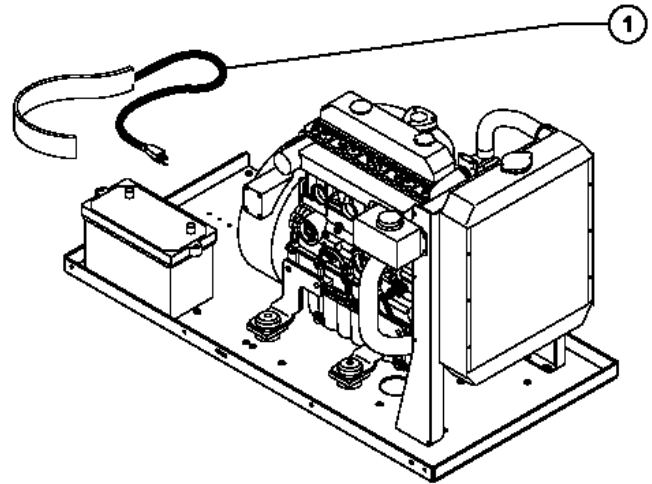
- 1:** Hose End - Female, Swivel, Short, ORFS (Parker No. 1J943-12-8), Hose End - Female, Swivel, 90°, ORFS (Parker No. 1J943-8) and Hose, 1/2 inch (Parker No. 451TC-8)
- 2:** Hose End - Female, Swivel, 90°, ORFS (Parker No. 1J943-8), Hose End - Female, Swivel, ORFS (Parker No. 1JC43-8) and Hose, 1/2 inch (Parker No. 451TC-8)
- 3:** Hose End -Female, Swivel, ORFS (Parker No. 1J943-10-8), Hose End - Female, Swivel, 90°, ORFS (Parker No. 1J943-8) and Hose, 1/2 inch (Parker No. 451TC-8)
- 4:** Hose End - Female, Swivel, 90°, ORFS (Parker No. 1J943-12-10), Hose End - Female, Swivel, Straight, ORFS (Parker No. 1JC43-10) and Hose, 5/8 inch (Parker No. 381-10)
- 5:** Hose End - Female, Swivel, 90°, ORFS (Parker No. 1J943-4), Hose End - Female, Swivel, ORFS (Parker No. 1JC43-4) and Hose, 1/4 inch (Parker No. 451 TC-4)

806.1 Cold Start Package - Ford, Perkins & Deutz Engines

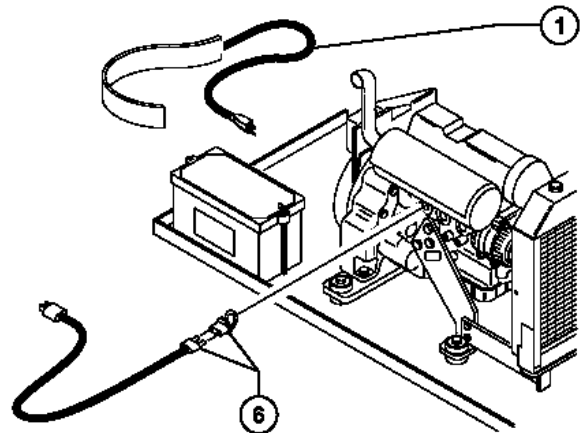
Deutz Diesel Engine



Perkins Diesel Engine



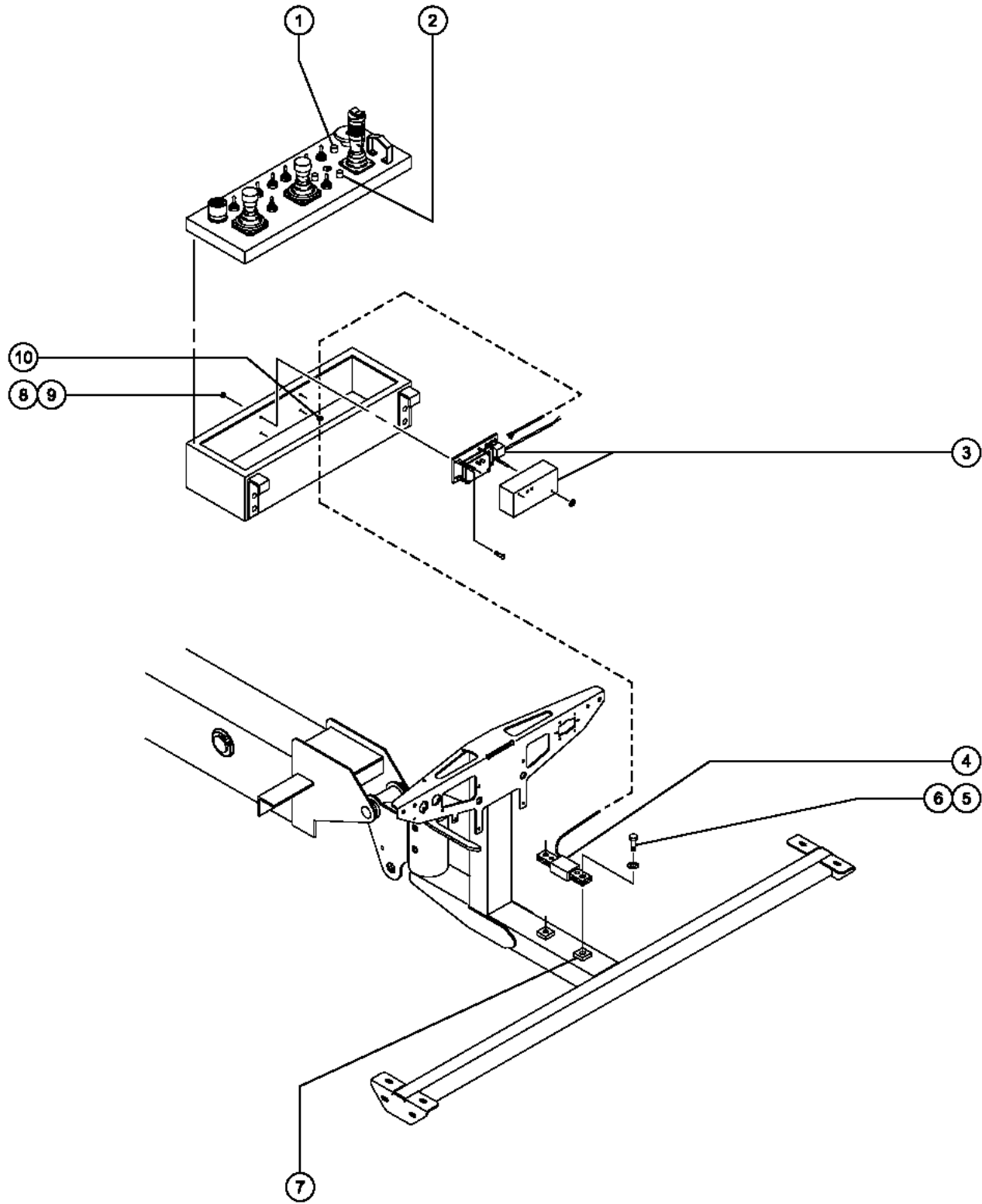
Ford Gasoline/LPG Engine



806.1 Cold Start Package - Ford, Perkins & Deutz Engines

Item	Part No.	Description	Qty.
--	53156GT	COLD START,FORD, BIG BOOM	
--	53159-SGT	COLD START PKG,DEUTZ,BIG BOOM	
--	53982GT	COLD START PKG,PERKINS,BB	
1	28853GT	BLANKET,BATTERY.....	2
2	31408GT	GLOW PLUG,L1011..... <i>Deutz Diesel models</i>	1
3	27246GT	BOOT,TOGGLE SWITCH,SHORT*..... <i>Deutz Diesel models</i>	1
4	32726GT	DECAL,OPTION GLOW PLUGS*** <i>Deutz Diesel models</i>	1
5	128200GT	SWITCH TOGGLE ASSY SPDT 3P MOM..... <i>includes mounting fasteners; Deutz Diesel models</i>	1
6	35610GT	HEATER,FREEZE PLUG,FORD LRG423..... <i>Gasoline/LPG models</i>	1
7	56912GT	SPRING CLIP,1/4-20,.025-.15X.54,ZAG.....	2
8	27155GT	SOLENOID,12V CONTINUOUS*** <i>Deutz Diesel models</i>	1

807.1 Load Sensor Option



807.1 Load Sensor Option

Item	Part No.	Description	Qty.
--	102093GT	KIT,LOADSENSE,UPGRD,S40/45 OEM <i>from SN 6345 to 7000</i>	
1	824879GT	LIGHT,LED IND. RED 12V NH.....1 <i>Diesel models</i>	
--	229567GT	PLUG, SANTOPRENE .5 BLACK DOME.....1 <i>Gasoline/LPG models</i>	
2	824879GT	LIGHT,LED IND. RED 12V NH.....1 <i>Gasoline/LPG models</i>	
--	229567GT	PLUG, SANTOPRENE .5 BLACK DOME.....1 <i>Diesel models</i>	
3		Ref. MODULE,LOAD SENSE,W/12V RELAY.....1 <i>(Component no longer available)</i>	
4	56765GT	LOAD CELL BENDING TYPE.....1	
5	8255GT	SCREW,HHC,3/8-16 X .75.....2	
6	57201GT	WASHER,FLAT,313, HARDENED.....2	
7	63397GT	BLOCK,LOAD SENSOR.....2	
8	12344GT	NUT,NYLOCK,6-32.....4	
9	49820GT	SCREW,PHILLIPS,PHM,6-32 X .5.....4	
10	42646GT	GROMMET,RUBBER .25 X .50"OD.....1	

Part Number Index

The Part Number Index is a numeric index of all part numbers included in this manual. The index shows what page(s) the part is used on.

Part Number	Page	Part Number	Page	Part Number	Page	Part Number	Page
101726GT	81	1280665GT	99	19969GT	154	25817GT	15, 17, 33, 111
101727GT	77	128200GT	95, 141, 159	20193GT	23-24, 39-40	25837GT	97
102093GT	161	128201GT	95, 97, 141	20224GT	21, 27, 37, 43, 84	25881GT	143
102119GT	53-54	128202GT	95, 141	20262GT	133, 135	25882GT	143
102143GT	113	128204GT	95, 141	20424GT	143	25883GT	143
102144GT	115	128205GT	141, 153-154	20424HGT	143	25884GT	143
102192-SGT	15	128206GT	141	20776GT	97	25929GT	51
102278GT	19, 35	128368GT	149	20880GT	53-54, 63, 67	25967GT	75, 77, 153-154
102616GT	84	128454PGT	123-124, 131	20973GT	133, 135	25974GT	97
102677GT	103	128482GT	131	20980GT	27, 43	25994GT	11
102680GT	91-92	128483GT	131	21121GT	95, 133, 135	27010GT	51, 53-54
102802GT	39-40	128501GT	131	21130GT	27, 43, 63, 67	27033PGT	141
102803GT	39-40	128513GT	123-124, 131	21141GT	75, 77, 79, 81	27034GT	57
102992GT	133, 135	128515GT	123-124, 131	21142GT	23-24, 35, 39-40	27035GT	119-120
10597GT	113, 115, 119-120	128519GT	131	21143GT	23-24, 35, 39-40	27067GT	53-54, 61, 65
10598GT	57	128534GT	123-124, 131	21144GT	23-24, 35, 39-40	27089GT	75, 77, 79, 81
106421GT	119-120	1286606GT	23-24, 35, 39-40	21145GT	23-24, 35, 39-40	27115GT	137, 139
106422GT	123-124	1286607GT	23-24, 39-40	21146GT	23-24, 35, 39-40	27133GT	145
10775GT	137, 139	128724GT	131	21148GT	23-24, 35, 39-40	27134GT	145
107858GT	149	12906GT	99, 101, 115	21149GT	23-24, 35, 39-40	27142GT	53-54
109802GT	61, 67	12960GT	97, 137, 139	21166GT	19	27155GT	97, 159
111172GT	119-120	13002GT	63, 71, 75, 77, 99, 101, 111	21175GT	73, 91-92	27204GT	13
111381GT	153-154	13004GT	23-24, 39-40, 111	21465GT	71, 75, 77, 79, 81	27205GT	13
111453GT	39-40	13014GT	57	21496GT	27, 43, 63, 67	27206GT	13
111454GT	39-40	13064GT	57, 61, 73, 87-88, 91-92, 111	21604GT	123-124	27207GT	13
111526GT	149	13066GT	23-24, 35, 40, 91-92	21618GT	53-54	27246GT	95, 141, 153-154, 159
111648GT	91-92	13268GT	139	21935GT	84	27287GT	95
111705GT	84	133518GT	13, 153-154	219437GT	53-54, 57, 67	27377GT	99, 101
11413GT	27, 43	13482GT	133, 135	22052GT	137, 139	27507GT	51
11637GT	91-92	13585GT	137, 139	22279GT	53-54	27511GT	145
119404GT	99	13775GT	119-120	22349GT	103	27532GT	27, 43
119536PGT	131	13852GT	119-120, 123-124	22364GT	143	27535GT	154
119542GT	131	139451GT	133, 135	22365GT	143	27564GT	11, 13
119562PGT	149	139709GT	59	22366GT	143	27643GT	91-92
119619GT	15, 17, 33	139958GT	149	22367GT	143	27643GT	91-92
119642GT	149	14041GT	97, 137, 139	22368GT	143	27761GT	21, 37
119795GT	149	144161GT	99	223763GT	83-84, 87-88	27801GT	84
119796GT	149	146160GT	87-88	22432GT	133	27802GT	83-84
119797GT	149	146165GT	83-84	22433GT	133	27804GT	84
119950GT	149	146176GT	83-84, 87-88	22434GT	133	27807GT	84
121599GT	97	146177GT	83-84, 87-88	22541GT	91-92, 111	27814GT	53-54, 59, 73, 84
122019GT	147	146478GT	95, 141	22578GT	63	27832GT	84
122058GT	57, 63, 73	147094GT	95	226393GT	147	27915GT	63
122281PGT	35	147289GT	87-88	226499GT	11	27916GT	54, 63
122348GT	23-24, 35, 39-40	147290GT	87-88	226500GT	11	27943GT	57
122366GT	95	147836GT	153-154	226501GT	11	28076GT	57, 59, 71
122512GT	95	147837GT	153-154	22672GT	51	28125GT	99, 101
122513GT	141	147838GT	153-154	22700GT	57, 61, 63, 65	28131GT	133, 135
122514GT	95, 141	147839GT	153-154	22811GT	23-24, 40, 92	28157GT	11
122944GT	119-120, 123-124	14815GT	15, 17, 33	22813GT	84	28158GT	11
12344GT	137, 139, 161	1487GT	149	22832GT	117	28159GT	11
12443GT	133, 135	1488GT	149	229352GT	11	28160GT	11
1253843GT	113, 115	1505GT	97	229353GT	11	28161GT	11, 13
1254826GT	63	15243GT	97	22942GT	67	28164GT	11
1255452GT	15, 17, 33, 111	16584GT	61, 65	229567GT	95, 141, 161	28165GT	13
1255653GT	63	17626GT	133, 135	22965GT	53-54, 61, 65	28171GT	11
1256267GT	113, 115	17712GT	103	229768GT	135	28174GT	11, 13
1259054GT	51	18189GT	57, 63, 73	23057GT	51, 63, 65	28175GT	11
1259704GT	149	18396GT	23-24, 39-40	23154-SGT	15, 17, 33	28176GT	13
1260218GT	87-88	18503GT	53-54	23404GT	97, 137, 139	28177GT	11
1262218GT	97	18505GT	35	23680GT	143	28181GT	11
1262634GT	111, 123-124	18665GT	97	23688GT	143	28234P-SGT	57
1264947GT	87-88	18963GT	147	24038GT	57	28235GT	11, 13
1267807GT	53-54, 63, 67	19274GT	139, 141	24039GT	91-92	28236GT	13
1268229GT	53-54, 63, 67	19418GT	91-92	24470GT	53-54	28298GT	97
1271437GT	23-24, 35, 39-40	19440GT	15, 17, 33	24552GT	51	28301GT	99, 101
1271438GT	23-24, 39-40	19487GT	75, 77, 79, 81	24675GT	87-88	28310GT	97
1271439GT	23-24, 39-40	19491GT	91-92, 111, 117	25072P-SGT	117	28352GT	15, 17, 33
1271440GT	23-24, 39-40	19506GT	95	25375GT	27, 43	28443GT	133, 135
1271441GT	23-24, 39-40	19712GT	145	25388GT	99	28646GT	91-92, 99
1272303GT	133, 135			25567GT	79	28647GT	51
1274506GT	113, 115			25571P-SGT	53-54	28656GT	51
1279268GT	53-54, 71			25683GT	33, 119-120	28678GT	133, 135
				25807GT	97	28717GT	53-54, 57
				25808GT	97		

Part Number	Page	Part Number	Page	Part Number	Page	Part Number	Page
28750GT	21, 27, 29, 31, 37, 43, 45, 49, 83-84, 105-106, 127, 129	30731GT	113, 115	32682GT	24, 40	34164GT	63, 67
28829GT	75	30732GT	111	32695GT	61	34265GT	59
28853GT	159	30733GT	111	32698GT	59	34276GT	111
28856-SGT	149	30734GT	15, 17, 33, 111	32708GT	133	34321-SGT	149
29066GT	53-54, 73	30735GT	15, 17, 24, 33, 40	32709GT	133	34344GT	115
29073GT	63, 67	30737GT	15, 33	32710GT	133, 135	34358P-SGT	103
29080GT	113, 115	30738GT	113, 115	32712GT	113	34370GT	103
29137GT	79, 81	30741GT	113	32713GT	111	34447GT	37, 39-40
29291GT	91-92	30743-SGT	99	32722GT	120, 123-124	34448GT	21, 23-24
29314GT	99, 101	30744-SGT	101	32723GT	27, 43	34619GT	53-54
29350GT	133	30747-SGT	33	32724GT	27, 43	34769GT	139
29382GT	91-92	30747GT	15, 17	32725GT	27, 43, 84	34876P-SGT	153-154
29436GT	53-54, 61, 65	30748GT	113, 115	32726GT	13, 159	34927P-SGT	57
29550GT	59	30769P-SGT	63	32731GT	91-92	34929-SGT	57
29555GT	59	30783P-SGT	91-92	32732GT	153-154	34942P-SGT	57
29557GT	63	30784-975GT	57, 63, 73	32734GT	153-154	34943P-SGT	57
29559GT	61	30785-1000GT	63, 67	32735GT	153-154	34954GT	117
29560GT	63	30794GT	137, 139	32736GT	153-154	34961GT	91-92
29606GT	53-54	30797GT	27, 43	32748GT	59	35003GT	137, 139
29616GT	53-54	30802P-SGT	23-24, 40	32749GT	59	35586GT	59
29737GT	27, 37, 43	30805GT	63	32755GT	13	35599GT	11
29739GT	53-54, 61, 65	30806GT	61	32948GT	87-88	35610GT	159
29744GT	88	30808GT	24, 40	32949GT	87-88	35675GT	123-124
29764GT	119-120	30809GT	24, 40	32955GT	87-88	35818GT	53-54
29868GT	87-88, 99, 101	30810GT	51, 67	32959GT	87-88	35934GT	97
29883GT	57, 61, 73, 87-88	30823GT	120, 123-124	32962GT	87-88	35949P-SGT	99, 101
30080GT	13	30884GT	27, 43	32963GT	87-88	35956GT	149
30138GT	113, 115	30885GT	27, 43	32964GT	87-88	35960GT	149
30143GT	57, 63, 73	30891GT	57, 63, 73	32967GT	87-88	36188GT	113
30144GT	57, 63, 73	30894P-SGT	101	32975GT	84	36203GT	53-54
30179GT	75, 79	30960P-SGT	103	33024GT	53-54, 61, 65	36204P-SGT	117
30190GT	15, 33	30966GT	63	33240P-SGT	63	36208GT	51
30219GT	119-120, 123- 124	30967GT	63	33241P-SGT	63	36388GT	99, 101
30220GT	113	30968GT	84	33412GT	35	36593GT	117
30230P-SGT	53-54, 63	30971GT	54	33418GT	59, 71, 73	36603GT	15, 17, 23-24, 33, 39-40
30255GT	119-120, 123- 124	30973GT	99, 101	33428GT	113, 115, 123- 124	36858GT	35
30286GT	119-120	30997GT	97, 137, 139	33432GT	35	36859GT	35
30369GT	53-54, 59, 73	31060GT	13	33455GT	87-88	36928GT	153-154
30370GT	15, 33, 111, 119- 120, 123-124	31078GT	119-120	33503GT	11	37002GT	53-54, 65
30430GT	99	31100GT	84	33511GT	83-84	37003GT	61
30438GT	61	31106GT	15, 33, 111	33520GT	21, 37	37017GT	53-54
30444GT	87-88	31120GT	149	33521GT	37	37033GT	63
30468GT	99	31283GT	145	33555GT	99, 101	37050GT	27, 43
30469GT	51	31406GT	37	33568GT	154	37097GT	23-24, 35, 39-40
30472GT	113	31408GT	159	33629GT	137, 139	37187GT	87-88
30490GT	79, 81	31411GT	117	33674GT	149	37192GT	87-88
30546P-SGT	75, 79	31493GT	91-92	33724GT	137, 139	37497GT	113
30558 32681GT	27	31498GT	119-120, 123- 124	33729GT	61	37505GT	59, 71
30558GT	43	31500GT	91-92	33946GT	87-88	37929GT	92
30581GT	113	31502GT	92	33952GT	13	37948GT	145
30582GT	113	31506GT	75, 77, 79, 81	33957GT	51	37950GT	59
30584GT	75, 79	31507GT	75, 77, 79, 81	33960GT	51	38620GT	113, 115
30620-SGT	151	31524GT	75, 77, 79, 81	33963GT	51	38621GT	115
30630GT	153-154	31658GT	75, 77, 79	33964GT	51	38859GT	119-120
30660GT	61	32284-SGT	33	33965GT	57	39591GT	137, 139
30662-SGT	111	32284GT	33	33966GT	51	40145GT	19
30670-SGT	117	32285-SGT	33	33968GT	51	40146GT	19
30671-SGT	117	32285GT	33	33969GT	57	40434GT	13
30674-SGT	61	32309GT	51	33970GT	51	40610GT	133
30677GT	87-88	32339GT	57, 123-124	33972GT	51	40653GT	117
30679-SGT	57, 59, 71, 73	32399GT	15, 17, 33	33988GT	53-54	40983GT	91-92
30690GT	24, 40	32611GT	53-54, 61, 65	33994GT	21, 27, 29, 31, 37, 43, 45, 49, 83-84, 105-106, 127, 129	41029GT	117
30691GT	24, 40	32637GT	97, 137, 139	33996GT	97	41030GT	117
30711GT	75, 77	32638GT	97, 137, 139	34052GT	97	41031P-SGT	117
30712GT	153-154	32639GT	137, 139	34053GT	97	41398GT	23-24, 40
30718P-SGT	87-88	32651-SGT	33	34055GT	97	41489GT	92
30727GT	119-120	32652-SGT	17	34056GT	97	41750GT	117
30728GT	119-120	32653GT	23-24, 39-40	34057GT	97	41912GT	23-24, 39-40
30729GT	113	32657GT	13	34058GT	97	41918GT	23-24, 40
30730GT	113	32669GT	87-88	34059GT	97	41921GT	23-24
		32673GT	15, 17, 33	34058GT	51, 69	41922GT	23-24, 40
		32675GT	35	34059GT	63	42191GT	35
		32676GT	19, 35	34124GT	115	42646GT	161
		32680GT	23-24, 40	34162-3150GT	63, 67		
		32681GT	27, 43				

Part Number Index (continued)

Part Number	Page	Part Number	Page	Part Number	Page	Part Number	Page
4266GT	27, 43, 53-54, 59, 87-88, 117, 149, 153-154	46677GT	117	48977GT	105-106	49177-71294GT	151
42766GT	67	46751P-SGT	117	48984GT	105-106	49203GT	157
43128GT	117	46765GT	117	48986GT	105-106, 157	49212GT	151
43169GT	119-120, 123- 124	46768GT	103	48988GT	105-106	49214GT	151
43181GT	139	46769GT	103	48994GT	106	49215GT	151
43191P-SGT	117	46936PGT	117	48997GT	21, 27, 37, 43, 84	49381GT	69
43255GT	83-84	46979GT	153-154	48998GT	105-106	49384GT	71
43392GT	149	46981GT	153-154	49036GT	88	49386GT	51
43595GT	11, 13	46985GT	147	49101-3285GT	105-106	49407GT	63
43597GT	21	46990GT	103	49101-5910GT	157	49408GT	51, 63, 69
43609GT	88	4828GT	15, 33, 57, 75, 77, 79, 81, 103, 119-120, 123-	49101-7835GT	157	49457-SGT	91-92
43647GT	11, 13		135	49104-10809GT	31, 49	49468GT	87-88
43663GT	11	48425GT	57	49107-10213-SGT	45	49512GT	105-106, 157
43683GT	91-92	48470GT	75, 77, 79, 81	49115-4014GT	105-106	49513GT	105-106
43955GT	97, 137, 139	48471GT	51	49116-8662GT	129	49515GT	105-106, 157
43956GT	99	48473P-SGT	53-54	49117-1691GT	105-106	49529GT	91-92
43960GT	97, 111, 117, 133, 135, 137, 139	48477GT	51	49117-3391GT	157	49532-SGT	99
44064GT	61, 63, 65	48516GT	117	49117-7641GT	29, 31, 45, 49	49534GT	99
44081-SGT	117	48533GT	97, 137, 139	49117-8616GT	129	49535P-SGT	99, 101
44211GT	143	48542GT	91-92	49119-1778GT	129	49536GT	99, 101
44212GT	143	48642GT	84	49119-2678GT	127	49537P-SGT	101
44221GT	143	48647GT	84	49119-3228GT	127	49612GT	21, 27, 29, 31, 37, 43, 45, 49, 83-84, 105-106, 127, 129, 157
44341PGT	91-92	48648GT	83-84, 87-88	49119-6078GT	45	49613GT	21, 27, 29, 31, 37, 43, 45, 49, 83-84, 105-106, 127, 129, 157
44367GT	91-92	48649GT	83-84, 87-88	49119-68278GT	129		
44611GT	91-92	48684GT	88	49120-49381GT	127, 129		
44743GT	133, 135	48879GT	127, 129	49120-50181GT	127		
44769GT	13	48880GT	21, 27, 37, 43, 84	49120-50185-SGT	129		
44950GT	153-154	48884GT	61	49121-4313GT	127, 129		
44981GT	13	48886GT	129	49122-10211GT	127, 129		
44986GT	13	48887GT	91-92	49122-9111GT	127, 129	49693GT	133, 135
45043GT	19	48892GT	127, 129	49124-1453-SGT	49	49735GT	51
45074GT	15, 17, 33	48896GT	31, 49	49124-1453GT	31	49740GT	54
45107GT	19	48900GT	129	49125-5970GT	31, 49	49741GT	11
45108GT	19	48904GT	29, 45, 105-106	49126-3933GT	105-106	49743GT	97
45110GT	19	48905GT	105-106, 157	49126-4133GT	105-106	49816GT	99, 101
45111GT	19	48906GT	29, 45	49128-1109-SGT	49	49817GT	51
45112GT	19	48910GT	105-106	49128-1109GT	31	49819GT	141
45113GT	19	48911GT	29, 45, 127, 129	49128-2309GT	105-106	49820GT	161
45114GT	19	48912GT	127, 129, 157	49128-2359GT	105-106	49881GT	51
45139GT	133	48913GT	129	49128-2384GT	105-106	49887GT	143
45161GT	75, 77, 79, 81	48915GT	29, 31, 45, 49	49128-2609GT	105-106	49898GT	51
45171GT	57	48916GT	31, 49, 105-106, 127, 129, 157	49128-2859GT	105-106	49914GT	59
45200GT	133	48917GT	106, 127, 129, 157	49128-4784GT	105-106	49915GT	59
45201GT	133	48919GT	29, 45, 127, 129	49128-5909GT	29, 45	49917GT	61
45209GT	57, 61, 73	48920GT	29	49129-10275GT	127, 129	49919GT	61
45313GT	133	48922GT	75, 77, 79, 81, 105-106	49130-2332GT	29, 45	49921GT	61
45383GT	137, 139	48930GT	31, 49, 106, 157	49130-2357GT	31, 49	49923GT	63
45385GT	97, 137	48933GT	106, 127, 129, 157	49130-3832GT	105-106	49924GT	63
45435GT	51	48934GT	106, 127, 129, 157	49133-13640-SGT	127, 129	49929GT	61
45437GT	137, 139	48935GT	31, 45, 49, 105- 106, 157	49135-2089GT	105-106	50144-SGT	119-120, 133, 135
45454GT	35, 65	48936GT	31, 49	49135-3389-SGT	61	5094GT	139
45455GT	73, 75, 77	48937GT	45, 157	49138-3266GT	105-106	52000GT	153-154
45462GT	147	48942GT	105-106	49139-2968GT	105-106	52001GT	153-154
45483GT	27, 43, 91-92	48943GT	31, 49	49139-4518GT	29, 45	52055GT	11, 13
45495GT	23-24, 35, 39- 40, 91-92	48946GT	29, 45, 105-106	49141-6063-SGT	49	52076GT	51
45543GT	87-88	48947GT	105-106	49141-6063GT	31	52077GT	51
45546GT	137, 139	48948GT	45	49141-7813-SGT	45	52078GT	51
45553GT	35	48950GT	105-106	49142-7062GT	157	52081GT	133, 135
45782GT	63, 154	48953GT	29, 45, 105-106	49143-1204-SGT	49	52082GT	133, 135
45873GT	19	48954GT	106, 157	49143-1204GT	31	52083GT	133, 135
45912GT	53-54, 59, 73, 84, 123-124	48957GT	105-106	49143-2979GT	157	52085GT	153-154
45914GT	84, 154	48958GT	157	49149-1826GT	29, 45	52086GT	153-154
45916GT	87-88	48960GT	29, 45, 105-106, 157	49149-3401GT	105-106	52086-RGT	153-154
45921GT	84	48963GT	29, 45	49150-3730GT	105-106	52087GT	23-24, 35, 39- 40, 91-92
46014GT	75, 77, 79, 81	48964GT	105-106, 157	49151-4648GT	105-106	52155GT	13
46131GT	51, 53-54	48969GT	105-106	49156-2606GT	29, 45	52179GT	75, 77
46198GT	11, 13			49157-4335GT	29, 45	5224GT	131
46272GT	145			49158-6433GT	105-106	52250GT	13
46674GT	53-54, 61, 65			49159-3518GT	105-106	52352GT	63
				49159-3818GT	105-106	52353GT	61
				49159-3868GT	105-106	52365GT	137, 139
				49159-4268GT	105-106	52402GT	133, 135, 137, 141
				49163-57894GT	127	52415GT	83-84
				49171-2499GT	105-106	52416GT	83-84
				49172-7388GT	29, 45		
				49176-2779GT	91-92, 99		

Part Number	Page	Part Number	Page	Part Number	Page	Part Number	Page
52417GT	84	53760-SGT	95	6019GT	53-54, 87-88,	62262GT	124
52440GT	99	53761-SGT	95		91-92, 99, 101,	62267GT	123-124
52441GT	101	53820GT	95		111, 133, 135,	62268GT	87-88
52443GT	101	53821PGT	51		153-154	62273GT	123-124
52537GT	63, 67	53832GT	51, 53-54	6021GT	15, 17, 23-24,	62414GT	87-88
52564GT	53-54	53882GT	101		33, 35, 39-40,	62417GT	119-120, 123-
52566GT	51	53903GT	99, 101		53-54, 61, 71,	124	
52570GT	51	53909GT	57, 59, 71		75, 77, 87-88,	62420GT	67
52573GT	51	53910GT	53-54		91-92, 99, 101,	62421GT	67
52575GT	51	53945GT	63, 67		103, 111, 113,	62422GT	67
52577GT	51	53948GT	67		115, 117, 123-	62423GT	69
52579GT	51	53951GT	67		124, 131	62466GT	92
52580GT	51	53952GT	54, 63	6024GT	57, 59, 71, 87-	62506GT	123-124
52583GT	153-154	53961GT	53-54, 61, 65		88, 111	62959GT	13
52585GT	145	53962GT	53-54, 61, 65	6033GT	23-24, 39-40,	62960GT	13
52586GT	145	53964GT	53-54, 61, 65		53-54, 61, 65,	63118GT	103
52587GT	145	53976GT	153-154		91-92, 113, 115,	63155GT	15, 17, 33
52588GT	145	5397GT	61, 63, 65, 71,		119-120	63202GT	113, 115
52589GT	145		75, 77, 79, 81,	6035GT	57, 149	63206GT	111
52591GT	145		87-88, 99, 101,	6036GT	57, 61, 73, 87-	63210GT	123-124
52592GT	53-54		103, 131, 133,		88, 149	63213GT	123-124
52639GT	11		135, 153-154	60370-SGT	119-120, 135	63311GT	149
52645GT	97	53982GT	159	6037GT	61, 65	63313GT	65
52647GT	153-154	54486GT	149	60521GT	63	63326PGT	65
52648GT	153-154	54527-SGT	123-124	60790GT	57	63342GT	113, 115
52649GT	153-154	54535GT	67	60857GT	53-54	63346GT	111
52650-SGT	103	54627GT	19, 23-24, 35,	6086GT	15, 17, 33	63350GT	123-124
52651GT	99		39-40	6090GT	19, 23-24, 35,	63353GT	123-124
52652GT	51	54692GT	95, 141, 153-154		40, 57, 61, 63,	63362PGT	71
52653GT	117	54817P-SGT	133, 135, 149		67, 71, 73, 91-	63363PGT	71
52654GT	117	54862GT	51		92, 95, 97, 117,	63364PGT	71
52656GT	51	55753GT	149		131, 133, 135,	63397GT	161
52658GT	53-54, 63	56057GT	97		141, 149	63399PGT	67
52661GT	149	56704GT	147	6091GT	27, 43, 51, 53-	63400PGT	71
52726GT	21, 37	56765GT	161		54, 71, 73, 87-	63413GT	71
52762GT	51, 53-54	56911GT	23-24, 39-40		88, 97, 99, 101,	63414GT	71
52775GT	143	56912GT	19, 23-24, 35,		113, 115, 117,	63418GT	71
52776GT	143		40, 53-54, 117,		123-124, 131,	63419GT	71
52777GT	143		131, 159		133, 135, 141,	63426GT	53-54
52778GT	143	57201GT	161		149	63427GT	53-54
52866GT	67	58116GT	15, 17, 33	6095GT	57	63432GT	117
52882GT	115	58209GT	143	6096GT	23-24, 39-40,	63433GT	117
52943GT	88	58210GT	75, 77, 79, 81		61, 65, 91-92	63457PGT	73
52966GT	13	58211GT	75, 77, 79, 81	6097GT	53-54, 57, 61,	63461GT	11
52967GT	13	58256GT	63		63, 65, 75, 77,	63462GT	71
53023GT	75, 77, 79, 81	58301GT	153-154		87-88, 101, 103,	63463GT	67
53024GT	53-54	58402GT	153-154		113, 115, 117,	63464PGT	65
53037GT	11	58415GT	67		119-120	6356GT	19, 23-24, 35,
53073GT	145	58438GT	23-24, 35, 39-40	6115GT	73, 117		40, 53-54, 57,
53073HGT	145	58448GT	35	61306-SGT	123-124		61, 63, 73, 87-
53078P-SGT	101	58459GT	23-24	6145GT	117, 149		88, 91-92, 95,
53079P-SGT	101	58477GT	145	6146GT	23-24, 39-40,		97, 99, 101, 111,
53081GT	15, 17, 33	58489GT	87-88		99, 101, 141, 147		117, 120, 123-
53113P-SGT	103	58589GT	39-40	6147GT	147		124, 141, 149
53120-SGT	75, 77, 153-154	58900GT	51	6175GT	15, 17, 24, 33,	65355GT	69
53122-SGT	87-88	58915GT	92		40, 53-54, 61,	65453GT	51
53124GT	54	58916GT	91-92		65, 71, 75, 77,	65454GT	51
53125GT	51	58917GT	53-54, 63		87-88, 91-92,	65455GT	51
53127-SGT	103	58923GT	145		103, 113, 115,	65456GT	51
53156GT	159	58944GT	153-154		119-120, 153-	65473GT	71
53157-SGT	149	58954GT	153-154		154	65477GT	99
53159-SGT	159	58958GT	91-92	6178GT	51, 91-92, 97,	65478GT	101
53197GT	115	58967GT	51		99, 101, 133,	65487GT	65
53200GT	115	58994GT	84		135, 139, 141,	65488GT	69
53219GT	115	59050GT	15, 33, 111, 119-		147	65490GT	69
53290-SGT	57		120	6179GT	117	65491GT	69
53354GT	115	59076GT	15, 17, 33	6198GT	57, 91-92	65492GT	69
53386GT	33, 35	59169GT	15, 17, 33	62072GT	11	65493GT	69
53387GT	33, 35	59263GT	111	62073GT	13	65494GT	69
53425-SGT	57	59266GT	15, 119-120	62074GT	11	65495GT	65
53527GT	75, 77, 79, 81	59267GT	119-120, 123-	62075GT	13	65496GT	69
53605GT	153-154		124	62080GT	87-88	65497GT	67
53613GT	15, 17, 33	59445GT	111	62081GT	91-92	65498GT	67
5365GT	27, 43, 63, 67	6002GT	35, 63, 75, 77,	62083GT	133, 135, 139,	65499GT	65
53758-SGT	95		99, 101		141	65500GT	67
53759-SGT	95			62249GT	59	65501GT	67

Part Number Index (continued)

Part Number	Page	Part Number	Page	Part Number	Page	Part Number	Page
65503GT	65	73205GT	39-40	81693GT	119-120	T108075GT	119-120, 123-124
65504GT	65	73212GT	39-40	81694GT	111		
65505GT	69	7339GT	53-54, 91-92	8170GT	57, 63, 73	T108076GT	119-120, 123-124
65506GT	69	73455GT	35	8177GT	23-24, 35, 39-40, 53-54		
65507GT	69	73490GT	39-40	8178GT	77, 81	T108077GT	123-124
6550GT	133, 135	73491GT	39-40	8179GT	117, 123-124	T108078GT	123-124
65513GT	157	73575GT	23-24, 39-40	81941GT	51	T108079GT	123-124
65515GT	15, 17	73593GT	77, 81	8220GT	15, 17, 33	T111608GT	153-154
65516GT	15, 17	73612GT	57	82242GT	13	T111609GT	153-154
65518GT	84	73613GT	57	82366GT	11	T111610GT	153-154
65535GT	143	73616GT	124	824164GT	119-120, 123-124	T111611GT	153-154
65536GT	143	73634GT	23-24, 39-40	82469GT	13	T111612GT	153-154
65608GT	23-24, 40, 92	73764GT	19	824879GT	95, 141, 161	T111613GT	153-154
65766GT	59	73806GT	111	825019GT	15, 17, 24, 33, 40, 111, 119-120, 123-124	T114678GT	63
65770GT	51, 53-54	73807GT	119-120, 123-124				
65810GT	67						
65815GT	63	73840PGT	63				
65827GT	145	73858GT	23-24, 40				
65842GT	119-120, 123-124	73860GT	91-92	8255GT	15, 17, 33, 35, 101, 103, 111, 113, 115, 117, 131, 161		
	124	73894GT	91-92				
6584GT	27, 43, 63, 67	73895GT	91-92	82767GT	13		
65879GT	83-84	73918GT	92	83005GT	123-124		
6595GT	99	73923GT	39-40	83006GT	124		
6606GT	97	73924GT	39-40	84128GT	84		
6607GT	83-84, 87-88, 91-92, 111, 117	73925GT	39-40	8516GT	57, 119-120, 123-124		
6637GT	101, 113, 115, 120	73928GT	119-120				
		73969GT	113	88356-11165GT	117		
6638GT	19, 23-24, 35, 40, 51, 53-54, 57, 59, 63, 65, 67, 71, 73, 87-88, 91-92, 95, 97, 99, 101, 111, 113, 117, 120, 131, 133, 135, 141, 149, 153-154	73993GT	63, 67	88356-146R5GT	111		
		73994GT	117	8843GT	137, 139		
		74389GT	15, 17, 33	88455GT	51		
		75073GT	99, 101	88457GT	53-54		
		75395GT	119-120, 123-124	88516GT	119-120, 123-124		
		75466GT	91-92	88832GT	97		
		75468GT	111	89064GT	91-92		
		75469GT	119-120	89065GT	15, 17, 33		
		75470GT	111	89066GT	15, 17, 33		
		75658GT	92	89099GT	15, 33		
		75659GT	92	89100GT	15		
		75677GT	91-92	8914GT	63, 97, 117, 141		
		75682GT	92	8915GT	51, 53-54, 99, 101, 131, 133, 135, 149		
		75683GT	92				
		75684GT	91-92	89312GT	123-124		
		75685GT	91-92	89617GT	87-88		
		75686GT	91-92	89785GT	61		
		77026GT	23-24, 39-40	89801GT	123-124		
		77027GT	23-24, 39-40	89803GT	24, 40		
		77046GT	11	89836GT	13		
		77069GT	87-88	89871-3348GT	29, 45		
		77071GT	87-88	89871-3848GT	29, 45		
		7713GT	71, 117, 123-124, 133, 135, 153-154	89871-3948GT	29, 45		
				89872GT	113, 115		
		77170GT	57	89885GT	91-92		
		77181GT	131	89915PGT	149		
		77219GT	51	94077GT	87-88		
		77239GT	23-24, 40	94374-2930GT	29		
		77240GT	23-24, 40	94374-5230GT	105-106		
		77303GT	119-120, 123-124	94374-5530GT	105-106		
				94374-5930GT	105-106		
		77482GT	69	94397GT	123-124		
		77874GT	119-120	94398GT	119-120		
		77875GT	123-124	94920GT	91-92		
		77877GT	119-120, 123-124	94922GT	51		
				9596GT	149		
		77885GT	53-54	9599-SGT	149		
		79456GT	131	97128GT	117		
		81007GT	117	97887GT	13		
		81030GT	88	97890GT	11, 13		
		81043GT	59, 84, 123-124	T106954GT	91-92		
		81044GT	84, 88	T106955GT	91-92		
		81175GT	123-124	T106956GT	91-92		
		81196GT	59	T106960GT	91-92		
		81578GT	111				
		81640GT	131				
		81692GT	111				

The Part Description Index is an alphabetical index of all part descriptions included in this manual. The index shows what page(s) the part is used on.

5

5/16-18 X 2.25 LG.FLG.LCK.SCRW.....35

A

ACTUATOR, FORD EFI PRECISION.....51
 ADAPTER (53073,52591) **.....145
 ADAPTER,LP VENTURI.....51
 ADAPTER,PIPE NIPPLE.....105-106
 ADAPTER,THROTTLE ACTUATOR***.....51
 ADPTR,ST. THR 3/4-16 FEM PIPE.....67
 ADPTR,STR FEM INV 45D 1/4X1/4.....67
 AIR CLEANER.....63
 AIR CLEANER BRACKET, PAINTED.....67
 AIR CLEANER,FORD EFI***.....54
 AIR CLEANER,NELSON***.....67
 AIR INTAKE BRACKET, PAINTED.....73
 ALARM PKG,S-40***.....147
 ALARM,CHIME TONE 5-25VDC***.....147
 ALARM,INTERMITTENT TONE 6-30V*.....147
 ALARM,WARBLE TONE 5-30 VDC***.....137, 139
 ALTERNATOR, DEUTZ F3L10/F4L10*.....59
 ALTERNATOR, PERKINS (53883).....65
 ALTERNATOR,LRG-423 RE-BUILT*.....51
 ANDERSON HOUSING,15-45 AMP BLK.....133
 ANDERSON HOUSING,15-45 AMP RED...133
 ANDERSON HOUSING,15-45,AMP,WHT...133
 ANGLE,CABLE TRACK TUBE,PAINTED.....117
 ANGLE,RELAY MOUNTING.....97
 ASSM, GEN. ONLY, 110V, 60HZ.....153-154
 ASSY, CIRCUIT BREAKER 15A.....95
 ASSY, MED. PRESS. FILTER, SAE8.....53-54, 63, 67
 ASSY,6FT PLAT DUAL LG,BLANK W/SIDE SWING GATE.....133, 135
 ASSY,RELAY SOCKET, AUTO.....97
 ASSY,TIRE/WHEEL,LH,RT,NM,W/SEA.....39-40
 ASSY,TIRE/WHEEL,RH,RT,NM,W/SEA.....39-40

B

BACKING PLATE, HOSE BLOCK, JIB.....131
 BAFFLE, AIR CLEANER (27915)**.....67
 BAFFLE, PERKINS, S40, PAINTED*.....71
 BAFFLE,AIR,DEUTZ,PAINTED GRAY.....101
 BAFFLE,AIR,FORD,PAINTED.....101
 BALL STUD**.....99, 101
 BALL,CHECK (32810).....87-88
 BAR,AXLE ROTATION STOP,NON-OSC.....24, 40
 BAR,AXLE ROTATION STOP,OSC. **.....24, 40
 BAR,HYD.SWIVEL MOUNT PAINTED.....91-92
 BASE, W/1 N.O. CONTACTS***.....141
 BASE,WITHOUT CONTACTS.....95, 141
 BATT.CABLE,00,POS.,RED,50".....57, 63, 73
 BATTERY CABLE,1/0 GA,BLK 30".....57, 63, 73
 BATTERY HOLD DOWN,GROUP 31.....57, 63, 73
 BATTERY,12V,1000 CCA GRP 31.....57, 63, 73

BEARING.....115
 BEARING KIT (45553) TORQUE HUB.....23-24, 35, 39-40
 BEARING KIT, AUSCO***.....23-24, 40, 92
 BEARING KIT,BRAKE,MICO.....23-24, 40
 BEARING KIT,MICO.....91-92
 BEARING KIT,PLAT ROTATOR,SUPER.....119-120, 123-124
 BEARING KIT,ROTATOR,9K***.....119-120, 123-124
 BEARING KIT,TORQUE HUB (20193).....23-24, 39-40
 BEARING RACE (LARGE) (45873).....19
 BEARING RACE (SMALL) (45873).....19
 BEARING, POLYGON P2055 (59105).....15, 119-120
 BEARING,1.00IDX1.25ODX1.00L.....15, 17, 33, 111
 BEARING,1.25ID X 1.5OD X 0.69L.....113
 BEARING,1.25IDX1.5ODX1.00L.....15, 33, 111, 119-120, 123-124
 BEARING,1.50IDX2.00ODX1.50LG.....113, 115
 BEARING,1.5IDX1.75ODX1.0L.....23-24, 39-40
 BEARING,1.5IDX1.75ODX1.5L,PTFE...15, 17, 33
 BEARING,FL,1.25ID X 1.41OD X 1...119-120, 123-124
 BEARING,FL,1.25IDX1.5ODX1.25L.....123-124
 BEARING,FLANGED,376ID (20424).....143
 BEARING,MOTOR.....153-154
 BEARING,POLYGON,20DU12.....33, 119-120
 BEARING,SERIES 3000.....91-92
 BELLCRANK ASSY W/BEARINGS.....123-124
 BELT,SERPENTINE,LRG425 EFJ***.....51
 BELT,TIMING,FORD LRG423/425EFI.....51, 53-54
 BELT,V KIT, PERKINS 704-30.....69
 BELT,V, DEUTZ DIESEL ENGINE.....59
 BLANKET,BATTERY.....159
 BLOCK,LOAD SENSOR.....161
 BOLT, CARRIAGE, 3/8-16 X 1.50, G5.....57
 BOLT,CARRIAGE,1/4-20 X 1.00,G2.....131
 BOLT,CARRIAGE,1/4-20 X 2.75,G2.....131
 BOLT-FLANGE,M6 X 22MM(52573).....51
 BOOT (20424).....143
 BOOT(BELLOWS),E-STOP,BLACK.....95, 141
 BOOT,BATTERY TERMINAL,RED.....57, 63, 73
 BOOT,CONTROLLER.....145
 BOOT,SOLENOID,29073.....63, 67
 BOOT,THUMB 20424 JOYSTICK.....143
 BOOT,TOGGLE SWITCH,SHORT*.....95, 141, 153-154, 159
 BOTTLE, COOLANT RECOVERY, 2QT.....53-54, 71
 BRACKET, CABLE CLAMP.....117
 BRACKET, PANEL WIRE MOUNTING.....95
 BRACKET,ACTUATOR ARM MTG,PTD.....63
 BRACKET,AIR CLEANER MTG.PAINT.....63
 BRACKET,AIR CLEANER PERKINS.....67
 BRACKET,AIR FILTER,FORD GAS PT.....53-54
 BRACKET,AUX.PUMP MNT.PAINTED.....87-88
 BRACKET,COVER HINGE,BLUE.....99, 101
 BRACKET,HOSE CLAMP,PAINTED.....131

BRACKET,HYDRAULIC FILTER PNT.....63
 BRACKET,LIMIT SWITCH EXT,BLUE*.....117
 BRACKET,MAP SENSOR,PAINTED.....51
 BRACKET,SOLENOID MTG,PAINTED.....63
 BRACKET,TOGGLE SWITCH.....97
 BRACKET,WORK LIGHT MOUNT 5/16".....149
 BRACKET-FUEL FILTER (52567).....51
 BRAKE ASSEMBLY,TURNTABLE ROT**.....91-92
 BRAKE,MICO,1200 IN/LB***.....23-24, 39-40
 BRAKE,SWING,2800 IN/LB.....92
 BRIDGE,50A FULL WAVE**.....153-154
 BRKT,AIR CLEANER ORIENTATION**.....54, 63
 BRUSH 3/8 X 1/4 X 15/16(36928).....153-154
 BRUSH ASSEMBLY.....153-154
 BRUSH HOLDER ASSY, 2500W GENER.....153-154
 BULB,WORKLIGHT,12V 35W.....149
 BULKHEAD,FEMALE X 4.....99
 BUMPER, PLASTIC, 1.25 O.D.....149
 BUMPER,BATTERY BOX & RAILS.....149
 BUMPER,RUBBER***.....53-54
 BUMPER,RUBBER,.75 X .50H,STUD...99, 101
 BUMPER,RUBBER-1 X 1.25.....99, 101
 BUSHING,POLYGON,BM5121.....111, 123-124
 BUSHING,SPRING SEAT.....145
 BUTTON,PUSH,BLACK W/SEAL***.....141
 BUTTON,PUSH,RED MUSHROOM HEAD.....95, 141

C

CABLE CLAMP.....117
 CABLE CLAMP ASSEMBLY,S40.....117
 CABLE COVER,JIB***.....123-124
 CABLE SQUEEZE CONN.....97
 CABLE SQUEEZE CONN.,XTRA LRG.....97, 137, 139
 CABLE TIE,11.5" BLACK.....133, 135
 CABLE TIE,4" BLK,HEAT RESISTNT.....95, 133, 135
 CABLE TRACK TRAY ASSY W/TRIM.....117
 CABLETRACK,PLATED, 41 LINK.....117
 CAM ASSY (20424).....143
 CAP, COOLANT RET SYS(54071).....53-54, 71
 CAP, SIDE OIL FILL, PERKINS.....65
 CAP,DIAGNOSTIC NIPPLE.....21, 27, 37, 43, 84
 CAP,DISENGAGE-45553 TORQUE HUB.....23-24, 35, 39-40
 CAP,DUST,45873 HUB KIT.....19
 CAP,FILLER BREATHER,3 MICRON**.....75, 77, 79, 81
 CAP,FUEL,DIESEL,1/8"VENT(GRN).....81
 CAP,FUEL,GAS,1/8"VENT(RED).....77
 CAP,FUEL,GREEN*.....79
 CAP,FUEL,RED***.....75
 CAP,OIL FILLER, PERKINS.....67
 CAP,OIL FILLER,DEUTZ,DIESEL***.....63
 CAP,RADIATOR,FORD***.....57
 CAP,RADIATOR,PERKINS/FORD.....71
 CAPACITOR,TIME DELAY.....139
 CARRIER TERMINAL(5 PER BLOCK).....97
 Check Valve.....27, 43, 83-84
 CLAMP PAIR,DUAL HOSE.....35

Part Description Index (continued)

CLAMP, AIR CLEANER (27915)**.....63	CONNECTOR, DEUTZ FUEL SHUTOFF*....63	DECAL KIT, INSTR, S40 GAS.....11, 13
CLAMP, HOSE (53883).....69	CONNECTOR, 520120-4 SPEC.....129	DECAL KIT, INSTRUCT, S40 DIESEL.....11, 13
CLAMP, 0.75, #12 X 1/4, RUB CUSH.....139	CONTACT, N.O.***.....95, 141	DECAL, ENGINE SPEC, PERKINS.....11
CLAMP, 1.13, #18 X 1/4, RUB CUSH.....53-54	CONTACT, NC.....95, 141	DECAL, GENIE LOGO 14" LONG.....11
CLAMP, 1.63, #26 X 3/8, RUB CUSH.....131	CONTACTOR, LIMIT SWITCH.....91-92, 111, 117	DECAL, LABEL - CHEVRON RANDO.....11
CLAMP, 1.75, #28 X 3/8, RUB CUSH*.....57, 123-124	CONTROL BOX COVER, RIGHT SIDE*.....149	DECAL, PATCH, GEN, ALC-500.....13, 153-154
CLAMP, 2.75, #44 X 1/4, RUB CUSH*.....73, 75, 77	CONTROL BOX COVER, LEFT SIDE*.....149	DECAL, POWER TO PLATFORM 230V**.....11, 13
CLAMP, HOSE 2 5/16-3 1/4.....63, 67	CONTROL BOX W/LID & DECAL.....137, 139	DECAL, ARROW BLUE.....13
CLAMP, HOSE, .63.....51, 53-54	CONTROLLER, GLOW PLUG (53883).....73	DECAL, ARROW YELLOW LRG 9".....13
CLAMP, HOSE, 1.25***.....51	COOLER-HYDRAULIC OIL.....103	DECAL, COSMETIC, 4 X 2.....13
CLAMP, HOSE, 1.75.....51	CORROSION INHIBITOR, FOAM.....97, 137, 139	DECAL, COSMETIC, 4 X 4.....13
CLAMP, HOSE, 1.75, LINED.....57	Counterbalance Valve.....83-84	DECAL, COSMETIC, GENIE S-40***.....11
CLAMP, HOSE, 2.25" DIA.....57	COUPLER, PUMP / MOTOR (36179).....87-88	DECAL, COSMETIC, GENIE S-45***.....11
CLAMP, HOSE, 2.50****.....51	COUPLER, HUB, 15 TOOTH 7/16BOLT*.....53-54, 61, 65	DECAL, COSMETIC, S-45.....13
CLAMP, HOSE, 3.00".....54	COUPLER, PUMP TO MOTOR (32810).....87-88	DECAL, COSMETIC, S40.....13
CLAMP, HOSE, BOTTOM, MOLDED.....117	COVER ASSY W/DECAL, DIE, RH BIGB.....101	DECAL, COSMETIC, S40, 10".....13
CLAMP, HOSE, SIZE .25 TO .63.....71, 75, 77, 79, 81	COVER ASSY W/DECAL, GAS, RH.....101	DECAL, COSMETIC, S45, 10".....13
CLAMP, HOSE, TOP, MOLDED.....117	COVER ASSY W/DECAL, WRD, RH BB.....101	DECAL, DANGER DO NOT ALTER SWTC.....13
CLAMP, JIB HOSE/CABLE.....131	COVER ASSY W/DECALS, L.H. BB.....99	DECAL, DANGER, ELEC. HAZ. STAY CLR.....11, 13
CLAMP, JIB HOSE/CABLE, ARCTIC.....131	COVER ASSY W/DECALS, LH B/B SQ.....99	DECAL, DANGER, GEN SAFETY RULES.....11, 13
CLAMP, MUFFLER, 2 1/4" ID.....61	COVER CAP, TORQUE HUB***.....23-24, 35, 39-40	DECAL, DANGER, NO SMOKING ***.....11
CLAMP, RUB CUSH, 0.75, #12 X 3/8*.....35, 65	COVER CASTING, 20424 CONTROLLER...143	DECAL, DANGER, TILT ALARM.....13
CLAMP, TWO HOSE.....131	COVER PLATE, COUNTERWGHT, PTD.....103	DECAL, DANGER, TIP-OVER, TIRES***.....11, 13
CLEVIS YOKE -1/4-28, PLTD W/PIN.....27, 43, 63, 67	COVER PLT, COUNTERWGHT, PNTD.....103	DECAL, GND CONT PNL, S45/S60/80.....11
CLIP, AIR CLEANER END CAP***.....67	COVER SUPPORT WELDMNT LH.....99	DECAL, INSTR, MAX SIDE FRC, ANSI.....13
COIL WITH DE CONNECTOR.....83-84, 87-88	COVER SUPPORT WELDMNT RH.....101	DECAL, INSTR, SIDE FRC/WIND, AUS.....13
COIL, 12V, 19972/21623/29069.....84	COVER, CHASSIS ASSY W/DECALS.....24, 40	DECAL, INSTR, FOOTSWITCH OPER.....13
COIL, ELECTRONIC IGN., FORD.....51	COVER, DUCT, WIRING.....97	DECAL, LABEL, AIR LINE 110 PSI.....13
COIL, 10V.....88	COVER, ENGINE HOSES/CABLES.....123-124, 131	DECAL, LABEL, DIESEL FUEL.....11
COIL, 12V, 19970, 19971.....84	COVER, CABLE TRACK.....117	DECAL, LABEL, FUEL SELECT PATCH.....13
COIL, 12V, DO1 VALVE.....154	COVER, CONTROL BOX LID.....149	DECAL, LABEL, LFT/DRV SELECT.....13
COIL, GREEN W/ 2 PIN CONNECTOR*.....123-124	COVER, ENGINE SIDE (F30-1011F).....61	DECAL, LABEL, LIGHTS***.....13
COIL, SOLENOID, 10DSD 10V, W/DIOD.....84, 88	COVER, FRONT DEUTZ ENGINE.....59	DECAL, LABEL, LIQUID PROPANE.....11
COIL, SOLENOID, 10V.....53-54, 59, 73, 84	COVER, GFCI, WEATHERPROOF.....137, 139	DECAL, LABEL, MANUAL NOT HERE.....13
COIL, SOLENOID, 8 DSD 10V, W/DIO*.....59, 84, 123-124	COVER, KNOCK OUT HOLE, 4 PER BAG.....137, 139	DECAL, LABEL, UNLEADED GAS ONLY.....11
COLD START PKG, DEUTZ, BIG BOOM.....159	COVER, NON-STEER AXLE "BLUE".....23-24, 40	DECAL, LABEL, WHEEL LOAD S-40.....11
COLD START PKG, PERKINS, BB.....159	COVER, SUPPORT WELDMNT, LH.....99	DECAL, LABEL, WHEEL LOAD S-45.....11
COLD START, FORD, BIG BOOM.....159	COVER-FRONT TRNTBLE W/DE S40**.....103	DECAL, LANYARD ANCHORAGE POINT.....13
COLLAR, BOOT RETAINING.....143	COVER-FRONT TRNTBLE W/DECA S45...103	DECAL, NOTICE, FUNCTION ENABLE*.....11
C O M P R . L I N K , M A C H I N E D , G N D	COVER-HINGED, GRND CNTRL.....99	DECAL, NOTICE, AIR INLET***.....11
CONTR*.....123-124	COVR W/DECL, DR. CHAS. NONSTEER.....24, 40	DECAL, NOTICE, DEUTZ ENG SPEC.....11
CONN, 520120-4-6 0.030 ORIFICE.....129	COVR W/DECLS, DR. CHAS. STR. END.....19, 35	DECAL, NOTICE, FORD EFI ENG SPEC.....11
CONN, SQZ, 1/2NPT .38-.50, SM**.....97, 99, 137, 139	COW CATCHER, PLASTIC.....117	DECAL, NOTICE, HAZARDOUS MAT'LS*.....11
CONN, 070103-4, .030 ORI.....105-106	CTWT, CAST, 400 LBS, LH.....103	DECAL, NOTICE, MAX LOAD 500 LBS.....13
CONN, 520102-16.....105-106, 157	CTWT, CAST, 400 LBS, RH.....103	DECAL, NOTICE, OPER INST. IC***.....11, 13
CONN, 520102-6-6.....75, 77, 79, 81, 105-106	CVR ASSY W/DECALS, DRV CHASS ST.....19, 35	DECAL, NOTICE, SHUTOFF VALVES.....11
CONN, 520120-10-12.....157	CYLINDER, EXT. 2.5" X 163.5".....113, 115	DECAL, NOTICE, TIRE PRESSURE.....11
CONN, 520120-12-16.....105-106	CYLINDER, EXT. 2.5" X 163.5"***.....113	DECAL, OPTION GLOW PLUGS***.....13, 159
CONN, 520120-16.....105-106	CYLINDER, JIB (STICK BOOMS).....123-124	DECAL, PLATFORM CONTROL PANEL.....13
CONN, 520120-4***.....105-106, 157	CYLINDER, LIFT, S40.....111	DECAL, PLATFORM CONTROL PANEL**.....13
CONN, 520120-4-6***.....127, 129, 157	CYLINDER, MASTER.....111	DECAL, PLATFORM CTRL PANEL***.....13
CONN, 520120-4-6, .035, ORI.....129	CYLINDER, MASTER, S40***.....111	DECAL, PLATFORM CTRL PANEL, S40.....13
CONN, 520120-8***.....106, 127, 129, 157	CYLINDER, OSCILLATE S40/45.....15, 33	DECAL, PLATFORM CTRL, S40/S45.....13
CONN, 520120-8-10.....29, 45, 105-106	CYLINDER, SLAVE, 3 X 11.38***.....123-124	DECAL, POWER TO PLATFORM 115V.....11, 13
CONN, 520120-8-12.....45	CYLINDER, SLAVE, S40/45.....119-120	DECAL, PROTCTR, CLEAR, PLATE*.....13
CONN, LONG, 520122-6.....106, 127, 129, 157	CYLINDER, STEER***.....15, 17, 33	DECAL, PROTCTR, CLEAR, PLATE, S40.....13
CONN, LONG, 520122-8.....106, 127, 129, 157		DECAL, PROTECT, CLEAR, PLAT. S40**.....13
CONN, RECEP 120AC/15A DOMESTIC.....99		DECAL, TRIANGLE, BLUE.....13
CONN, TEE, UNION, 520401-6, ORFS.....31, 49		DECAL, TRIANGLE, YELLOW.....13
CONN, SQZ, 1/2NPT .38-.50, 90DEG.....91-92		DECAL, USE DEXRON***.....11
CONNECTOR ASSY, FOOTSWITCH S40...133		DECAL, WARN, CRUSH HAZARD HAND....11, 13
		DECAL, WARN, CRUSH HAZARD PLAT.....11
		DECAL, WARN, FALL HAZARD.....11

D

D03 Valve.....83-84

DECAL, WARN, IMPROPER OPERATION.....13	FILTER ASY,M PRESS,SAE8,WOIND* (77139).....53-54, 63, 67	GASKET,PUMP TO DC MTR.(32810).....87-88	
DECAL, WARNING-COMPART ACCESS.....11	FILTER ELEMENT-10 MIC.***.....53-54, 63, 67	GASKET,THERM.HSNG O-RING.....51	
DIAGNOSTIC FEMALE Q-DSCNT.....21, 27, 37, 43, 84	FILTER FOR FUEL/WTR SEP,22290.....67	GASKET,TIMMING CASE COVER.....69	
Diagnostic Fitting.....21, 27, 43	FILTER MOUNT BRACKET.....53-54, 63	GASKET,UPPER CONTROL BOX.....137, 139	
Diagnostic fitting.....37	FILTER, FUEL LRG 425/423 EFI.....75, 77	GASKET-VENTURI BEAM (FORD).....51	
Diagnostic Nipple.....83-84	FILTER, OIL, FORD.....51	GATE LATCH CASTING--DRILLED.....149	
Differential Sensing, 150 psi.....83-84	FILTER,AIR***.....67	GAUGE,FUEL,SIDE MOUNT.....75, 79	
Differential Sensing, 150 psi.....83-84	FILTER,AIR,ELEMENT***.....54, 63	GAUGE,OIL PRESSURE W/O SENDER.....95	
Differential Sensing Valve.....27, 43, 83-84	FILTER,ELEMENT,BETA(5)=1000.....53-54	GAUGE,OIL TEMP.....95	
DIN RAIL,23.75".....97	FILTER,ELEMENT,BETA(6)=200.....75, 77, 79, 81	GAUGE,VOLTAGE.....95	
DIODE BLOCK SUPPRESSION.....97	FILTER,FUEL,PERKINS.....67	GAUGE,WATER TEMP.....95	
DIODE,6 AMP,200 PIV,BULK.....63, 154	FILTER,FUEL/WTR SEP, DTZ 1008.....63	GAUGE-SIGHT,LHA-LGTB***.....75, 77, 79, 81	
DIPSTICK (53883).....67	FILTER,OIL,DEUTZ F4L1011F.....63	GEAR CASTING,20424 CONTROLLER*.....143	
DIPSTICK, OIL LEVEL,LRG425 EFI.....51	FILTER,OIL,DEUTZ,REPLACEMENT.....63	GEN S40 2000W SERV OPT.....153-154	
DIPSTICK-F3L1011F (DEUTZ).....63	FILTER,OIL,FORD.....51	GEN,HYD,3000W,110V,60HZ.....153-154	
DISC KIT DRIVE TURNTABLE Z-60*.....92	FILTER,OIL,PERKINS 704-30 (BB).....67	GEN.S40 3000W SERV.SYNFLEX.....153-154	
DISCONNECT ROD-45553 TQ.HUB.....23-24, 35, 39-40	FITTING, M18 X 8, 52MO187.....61	GENERATOR OPT.2000W(PARKER)**.....153-154	
DOOR LATCH,BASE CONTROL BOX.....99	FITTING,1/4 MPT 5/16 BARB.....75, 77, 79, 81	GENERATOR OPT.-2500W(PARKER).....153-154	
DRIVE GEAR - INSIDE #53073.....145	FITTING,CONN,520120-12***.....29, 45, 105-106, 157	GENERATOR OPT.-3000W(PARKER).....153-154	
DRIVE GEAR - OUTSIDE #53073.....145	FITTING,CONN,520120-6.....31, 49, 105-106, 127, 129, 157	GENERATOR OPTION, 2500 WATT.....153-154	
E			
EDC ASSY,SAUER,M46***.....53-54, 61, 65	FITTING,CONN,520120-6-8***.....31, 49, 106, 157	GENERATOR,2000W,HYDRAULIC***.....153-154	
ELBOW,45D,140339-16.....105-106	FITTING,CONN,520120-8-6.....31, 49	GENERATOR,2500W HYD.220/50HZ.....153-154	
ELBOW,45D,520320-10-8.....157	FITTING,ELBOW,45D,520320-12***.....29, 45	GLAND NUT ASSEMBLY.....113, 115	
ELBOW,45D,520320-6.....29	FITTING,TEE,RUN,SWIVEL52043212.....105-106, 157	GLOW PLUG,L1011.....159	
ELBOW,45D,520320-8.....45, 157	FITTINGS, LIFT PUMP INLET PORT.....67	GROMMET,RUBBER .25 X .50"OD.....161	
ELBOW,90 DEGR,RUBBER,2.5" I.D.*.....63, 67	FLANGE-JOYSTICK MOUNTING,44988.....145	GROMMET,RUBBER,1.0X0.094X1.375.....135	
ELBOW,90D, 070202-4.....91-92	FLASHTUBE, STRAIGHT,360DEG,BULB....147	GROUND CNTRL BOX W/DECALS S-40.....97	
ELBOW,90D,520202-12-16.....105-106, 157	FLASHTUBE,U SHAPED,360DEG,BULB...147	GUARD, HOSE PROTECTOR.....33, 35	
ELBOW,90D,520220-10.....105-106	Flow Divider/Combiner.....21	GUARD, FOOT SWITCH, W/DECAL STEEL.....133, 135	
ELBOW,90D,520220-4-4.....29, 45, 105-106	Flow Divider/Combiner Valve.....37	GUARD, PLATFORM CNTRL PANEL PTD.....149	
ELBOW,90D,520220-4-6***.....29, 45, 127, 129	Flow Regulator, 0.1 gpm.....83-84	GUARD-FAN, DEUTZ ENG,F4L1011F.....59	
ELBOW,90D,520220-6.....29, 31, 45, 49	Flow Regulator, 0.6 gpm.....83-84		
ELBOW,90D,520220-8-12.....105-106	Flow Regulator, 2.0 gpm (without oscillating axle OR 3.5 gpm with oscillating axle).....83-84	H	
ELBOW,90D,520220-8-6.....105-106	FLYWHEEL COVER,CASTING***.....61	HANDLE HALF,JOYSTICK (20424).....143	
ELBOW,90DEG,FEM,1"NPT.....105-106, 157	FLYWHEEL FLANGE, GREEN PLASTIC.....53-54, 61, 65	HANDLE,CAP,CONTROLLER.....145	
ELBOW,90DEG.3/8MPT-5/8 BARB.....53-54	FOOT SWITCH***.....133, 135	HARNASS ASSY, FOOTSWITCH.....133	
ELBOW,SWIVEL 90D, 520221-6.....127, 129	FUEL FILTER W/SEP,DEUTZ,1008.....63	HARNASS,PLUG, NON-LOAD WEIGHING...97	
ELBOW,SWIVEL 90D, 520221-8.....127, 129	FUEL INJECTOR, LRG-425 EFI.....51	HARNASS,RPM SOLENOID RELAY***.....63, 67	
ELEMENT-5 MIC, PAPER, W/BYPASS.....53-54, 63, 67	FUEL LINE INJ. DEUTZ F4L1011F.....61	HARNASS,TILT ALARM,12V.....87-88	
END CAP,AIR FILTER-27915&49740.....53-54, 63	FUEL PRESSURE REG,425EFI***.....51	HEATER,FREEZE PLUG,FORD LRG423...159	
END HEAD, 32810 POWER UNIT.....87-88	FUEL PUMP RELOCATION KIT.....51	HINGE CASTING.....149	
END PLATE,WAGO.....137, 139	FUEL TANK,H/D PLASTIC W/DECAL*.....77, 81	HINGE,.375X.120THK.,SLOTTED.....99, 101	
END SET,STEEL43482,43483,43484.....117	FUSE,13 AMP,220V PLUG.....99	HINGE,PLAT CONTROL BOX COVER.....149	
ENGINE PERFORMANCE MODULE T1**.....53-54	G		
ENGINE,DEUTZ D2011L031.....59	GAS STRUT,250 LBS FORCE***.....99, 101	HORN,12VDC,SPADE TERMINALS***.....111	
ENGINE,FORD LRG 425,EFIZ45.....51	GAS STRUT,CONNECTOR (28301).....99	Hose Assembly - Components: @ 10 inches (25 cm).....49	
EVACUATOR VALVE-AIR CLEANER.....67	GASKET - THROTTLE BODY, 425EFI.....51	Hose Assembly - Components: @ 100 inches (253 cm).....45	
EXHAUST,TAIPIPE,DEUTZ,S40.....61	GASKET, FORD OIL DRAIN.....53-54	Hose Assembly - Components: @ 12 inches (31 cm).....49	
EXTENSION BOOM TUBE ASSY. S-45.....115	GASKET, THERMOSTAT (53883).....69	Hose Assembly - Components: @ 16 inches (41 cm).....129	
EXTRUSION,RUBBER BUMPER STRIP.....75, 77, 79	GASKET, WATER PUMP.....51	Hose Assembly - Components: @ 58 inches (147 cm).....49	
F			
FAN SHROUD, PAINTED.....71	GASKET,0.0005,SILVER (32810).....87-88	Hose Assembly - Components: @ 76 inches (192 cm).....45	
FAN, LSG423/LRG425.....51	GASKET,0.00075,GOLD (32810).....87-88	Hose Assembly - Components: @ 9 inches (23 cm).....49	
FAN, PERKINS (53883).....69	GASKET,0.001,AMBER (32810).....87-88	HOSE ASSEMBLY, 1/2".....157	
FAN,OIL COOLER***.....103	GASKET,ADAPTER PLATE,425EFI***.....51	HOSE ASSEMBLY, 3/8".....29, 45	
FEMALE BULKHEAD CONNECTOR-8.....151	GASKET,EXHAUST.....61		
FILTER ASSEMBLY W/IND L,PAPER.....75, 77, 79, 81	GASKET,EXHAUST***.....53-54		
	GASKET,GBOX,S80/85 2008.....97		
	GASKET,LP ADAPTER.....51		
	GASKET,MUFFLER PERKINS(53883).....65		

Part Description Index (continued)

- HOSE ASSEMBLY, 5/8".....105-106, 157
 HOSE ASSEMBLY, 1".....105-106
 HOSE ASSEMBLY, 1****.....105-106
 HOSE ASSEMBLY, 1/2".....29, 45, 105-106, 151, 157
 HOSE ASSEMBLY, 1/4".....91-92, 99, 105-106, 127, 129
 HOSE ASSEMBLY, 1/4" FEM/FEM.....129
 HOSE ASSEMBLY, 3/4".....29, 45
 HOSE ASSEMBLY, 3/4" STR-STR.....29, 45
 HOSE ASSEMBLY, 3/4" STR-STR***.....29, 45
 HOSE ASSEMBLY, 3/8".....29, 31, 45, 49, 105-106, 127, 129
 HOSE ASSEMBLY, 5/8".....105-106, 157
 HOSE ASSEMBLY, LP GAS-86" LNG**.....75, 77, 153-154
 HOSE ASSY 3/8".....61
 HOSE ASSY, 1/2, 45 FEM, STR FEM.....31
 HOSE ASSY, 1/2, 90 FEM, STR FEM.....31, 157
 HOSE ASSY, 1/4, 45 FEM, STR FEM.....129
 HOSE ASSY, 1/4, 90 FEM, STR FEM.....29, 31, 45, 49, 105-106, 129, 157
 HOSE ASSY, 1/4, STR FEM, STR FEM.....45, 127, 129
 HOSE ASSY, 3/4, 45 FEM, STR FEM.....29, 45, 105-106
 HOSE ASSY, 3/4, 90 FEM, STR FEM.....29, 45, 105-106
 HOSE ASSY, 3/4, 90 FEM, STR FEM**.....105-106
 HOSE ASSY, 3/4, STR FEM, STR FEM.....105-106
 HOSE ASSY, 3/8, 45 FEM, STR FEM.....105-106
 HOSE ASSY, 3/8, 90 FEM, STR FEM.....31
 HOSE ASSY, FORD OIL DRAIN 1/2".....53-54
 HOSE COVER, LWR CABLE TRK, BLUE.....117
 HOSE END, 90 DEG., .63 HS X. 25 MPT.....53-54
 HOSE END, MALE. 25 X .25 MPT***.....79, 81
 HOSE GUIDE, JIB.....131
 HOSE HANGER, DRIVE CHASSIS, PTD.....35
 HOSE, UPPER RADIATOR.....57
 HOSE, WATER PUMP (53383).....69
 HOSE, 1/4 FUEL LINE, SAE 30R7.....79, 81
 HOSE, 3/4, LP.....53-54
 HOSE, 5/16 FUEL, SAE 30R7.....75, 77, 79, 81
 HOSE, AIR INT. 2.5 IDX 12" W/450.....54
 HOSE, AIR INTAKE 2.25" I.D.....63
 HOSE, AIR INTAKE 2.5 ID X 6.5.....51
 HOSE, AIR INTAKE 2.5" I.D.....63, 67
 HOSE, AIR INTAKE 2.75" I.D.***.....63
 HOSE, FIRE RES., 5/8 ID, BULK.....51, 53-54
 HOSE, LOWER RADIATOR, Z45.....57
 HOSE, UPPER RADIATOR, Z45.....51
 HOSE, WATER INLET, LRG 425 EFI.....51, 53-54
 HOUR METER, 10-80 VOLTS***.....95
 HOUSING, THERMOSTAT (53883).....69
 HUB ASSEMBLY MODEL#60-8***.....19
 HYD SWIVEL, 7 PORT, S40/60.....91-92
 HYDRAULIC MOTOR 3000W GENER.....153-154
 HYDRAULIC SWIVEL, 7 PORT, S40.....91-92
 HYDRAULIC SWIVEL, 9 PORT***.....91-92
 HYDRAULIC TANK ASSY, S40/80***.....75, 77, 79, 81
- I**
 INJECTOR - DEUTZ F4L1011F.....61
 INJECTOR PUMP - DEUTZ F4L1011F.....61
- INNER CONE - MODEL 60-8.....19
 ISOLATOR, VIBRATION.....53-54, 57, 67
 ISOLATOR, VIBRATION, LG, RD&WH***.....57, 59, 71
- J**
 JIB BOOM ASSY W/WORD DECAL.....123-124, 131
 JOYSTICK CONTROLLER, 12V.....143
 JOYSTICK, MULT AXIS CONT.....145
 JOYSTICK, MULT AXIS CONT, OEM***.....145
 JOYSTICK, MULT AXIS, W/O PCB.....145
- K**
 KEY, LATCH, 1 PAIR (28125).....99, 101
 KEYSWITCH, 3 POS. MNTND. DR WKEY**.....95
 KEYSWITCH, CONTACTS LOCK.....95
 KIT, AUX TOP RAIL SUPPORT.....149
 KIT, JOYSTICK HANDLE.....143
 KIT, LEVEL SENSOR, 6 PIN CONN.....87-88
 KIT, O-RING.....27, 43
 KIT, CONTROL BOX COVER.....149
 KIT, COVER, TORQUE HUB, 45553***.....23-24, 35, 39-40
 KIT, ESTOP SVC BB&SM BOOM.....95, 141
 KIT, FIELD INSTALL, SWING GATE.....149
 KIT, FORD EFI UPDATE, BASE***.....51
 KIT, GASKET, UK POWER TO PLAT.....137, 139
 KIT, HORN SVC BB&SM BOOM.....141
 KIT, KEYSWITCH SVC BB & SM BOOM.....95
 KIT, LOADSENSE, UPGRD, S40/45 OEM.....161
 KIT, PLAT CONTROL PANEL GUARD**.....149
 KIT, SEAL& BEARING, ARC, ROT. 9K**.....123-124
 KIT, SWING GATE W/SPRING.....149
 KIT, TORQUE HUB COVER (45553)**.....35
 KIT, WHEEL LOAD DECAL S40 2ND.....11
 KIT, WHEEL LOAD DECAL S45 2ND.....11
- L**
 LATCH, FLUSH CUP***.....99, 101
 LATCH, SLIDE, FLUSH MOUNT STYLE.....99
 LATCH, T-HANDLE, 5 SIDED W/KEYS*.....99, 101
 LATCH, TURNTABLE FLUSH STYLE.....99, 101
 LENS, AMBER, STROBE, FIREBOLT.....147
 LEVEL, BUBBLE, 2 DEGREE *.....23-24, 39-40
 LEVER ALTERNATOR, (53883).....69
 LIGHT, LED IND. RED 12V NH.....95, 141, 161
 LIMIT SWITCH BRKT, DRIVE, PAINT.....91-92
 LIMITER PC BOARD, HORSEPOWER.....137, 139
 LINING KIT, AUSCO (73918)***.....92
 LINING KIT, AUSCO BRAKE***.....23-24, 40
 LINING KIT, MICO BRAKE.....23-24, 40
 LINING REPAIR KIT (41915).....92
 LINKAGE ROD.....27, 43
 LOAD CELL BENDING TYPE.....161
 LOCK RING.....143
 LOCKNUT, ELEC, 1/2".....97, 99, 137, 139
 LOCKNUT, ELECTRIC, 1" NPT.....97
 LOCKNUT, ELECTRIC, 3/4".....97, 137, 139
 LP TANK BRACKET TALL W/LDMNT.....75, 77, 153-154
 LP TANK BRKT W/LDMT., SHORT.....153-154
 LP TANK BRKT W/LDMT., TALL.....75, 77
 LUG BOLT, 5/8-18, WHEEL HUB***.....19
- LUG, WHEEL STUD, 5/8-18, W1/4HB**.....23-24, 35, 39-40
- M**
 MALE PIPE THD, 1/4" SER, 3/8" X 18.....151
 MANIFOLD, GENERATOR.....153-154
 MANIFOLD, JIB SELECT***.....124
 MANIFOLD, MULTI-FUNCTION, S40/45.....83-84, 87-88
 MANIFOLD, MULTI-FUNCTION S40.....83-84, 87-88
 MANIFOLD, OSCILLATION.....27, 43
 MANIFOLD, ROTATOR, CB***.....119-120, 123-124
 MANIFOLD, S40/45 BRAKE, NC 2 POS.....59
 MANIFOLD, STR/OSC, S40.....88
 MANIFOLD, STR/OSC, S40.....88
 MANIFOLD, TRACTN, 4WD, (S) SERIES*.....37, 39-40
 MANIFOLD, TURNTABLE ROTATION***.....91-92
 MANUAL BOX W/DECALS***.....133, 135
 MAP SENSOR, EFI.....51
 MICROSWITCH, 13482 FOOTSWITCH.....133, 135
 MICROSWITCH, V3L-139-D8.....145
 MIDRAIL GUIDE (HOOK).....133, 135
 MODULE, IGNITION/START, 12/24V.....97
 MOTOR -HYD. 2500W GENER REFURB.....153-154
 MOTOR, 12V DC (32810/32811) APU.....87-88
 MOTOR, 12V DC, APU (53236).....87-88
 MOTOR, 12VDC, 77066.....87-88
 MOTOR, HYD, 25CC FIXED***.....35
 MOTOR, HYDRAULIC GENERATOR.....153-154
 MOTOR, HYDRAULIC, AXIAL PORTS***.....23-24, 40
 MOTOR, SWING DRIVE (53147).....91-92
 MOTOR, TURNTABLE ROTATION***.....91-92
 MOUNT, RAD. SUPPT, LH, BLUE.....57
 MPT, CPLR, 1/4" SER, 3/8" X 18.....151
 MUFFLER BRACKET, PAINTED.....65
 MUFFLER, PERKINS.....65
 MUFFLER, DEUTZ.....61
 MUFFLER, FORD LRG S40-60-80***.....53-54
- N**
 NIPPLE, DIAGNOSTIC, #4.....21, 27, 37, 43, 84
 NIPPLE, DIAGNOSTIC, #6 PORT***.....105-106
 NON-STEER AXLE ASSY, S40.....23-24, 39-40
 NUT & BOLT KIT (25883).....143
 NUT - PLASTIC, RING FOR ALARMS.....137, 139, 147
 NUT - WING, AIR FILTER, 425EFI.....53-54, 63
 NUT, CP521-1 VALVE.....154
 NUT, LP NYLOCK, 3/8-16...71, 117, 123-124, 133, 135, 153-154
 NUT, EXHAUST MANIFOLD-FORD, LRG.....53-54
 NUT, HEX, 1/4-28.....27, 43, 63, 67
 NUT, HEX, 5/16-18, GR5.....61, 65
 NUT, HEX, JAM, 1-8.....15, 17, 33
 NUT, HEX, M4 X 0.7 MM (20424)***.....143
 NUT, LOCKING-LG. FLANGE, 5/16-18.....53-54
 NUT, LOCKING-LRG. FLANGE, 3/8-16.....57

Part Description Index (continued)

RIVET,ALUM,ALUM,3/16BUTTONHEAD....149	SCREW,HHC,3/8-16 X 1.25 GRD 5.....53-54,	SEAL KIT,2" BORE,1" ROD***.....15, 17, 33
RIVET,STEEL,P .25 X .375.....99, 149	87-88, 91-92, 99, 101, 111, 133, 135, 153-154	SEAL KIT,2.0" BORE CYLINDERS**.....15, 17, 33
ROCKER ASSY,HANDLE (20424)***.....143	SCREW,HHC,3/8-16 X 2.....131	SEAL KIT,2.5" BORE,1.5" ROD***.....15, 33, 111, 119-120
ROD END,.375 X 2.25,ZAG.....15, 17, 33, 111	SCREW,HHC,3/8-16 X 2.25.....15, 33	SEAL KIT,3" BORE,1.5" RD.....111
ROD END,.375X3.69,ZAG.....15, 17, 24, 33, 40, 111, 119-120, 123-124	SCREW,HHC,3/8-16 X 2.5.....77, 81	SEAL KIT,8K ROTATOR***.....119-120, 123-124
ROD END,.5 X 3.75,ZAG.....113, 115	SCREW,HHC,3/8-16 X 3.25.....123-124	SEAL KIT,ARCTIC,ROTATOR 8.2K**.....119-120
ROLLER ARM,LIMIT SWITCH***.....117	SCREW,HHC,3/8-16 X 6.....117	SEAL KIT,BRAKE,MICO.....23-24
ROLLER ARM-LIMIT SWITCH.....91-92	SCREW,HHC,3/8-16 X1.25FULL THR.....115	SEAL KIT,BRAKE,TURNTABLE ROT**.....92
ROLLER,UHMW.....117	SCREW,HHC,5/16-18 X 1 GR5.....63, 71, 75, 77, 99, 101, 111	SEAL KIT,CONTROL VALVE.....27, 43
ROTATOR ASSEMBLY,8.2K***.....119-120, 123-124	SCREW,HHC,5/16-18 X 3.25.....87-88	SEAL KIT,CYL (63210).....123-124
ROTATOR,PLAT JIB,160 DEG***.....123-124	SCREW,HHC,5/8-11 X 1.75 GRD.8.....57, 61, 73, 87-88	SEAL KIT,CYL,S40 (63202).....113, 115
ROTATOR,PLAT,NON-JIB.....119-120	SCREW,HHC,5/8-11 X 3 GRD.8.....23-24, 39-40, 111	SEAL KIT,CYL,S40 MASTER(81692).....111
RUE RING,1.00.....15, 17, 33	SCREW,HHC,5/8-11 X 4.0 GR8.....57, 59, 71	SEAL KIT,CYL,S40 SLAVE (81693).....119-120
	SCREW,HHC,M10 X 25MM,GR 8.8.....57	SEAL KIT,CYL,S45 MASTER(81694).....111
	SCREW,HHC,M10 X 30MM.....61, 63, 65	SEAL KIT,CYL,S65 (63213).....123-124
	SCREW,HHC,M12 X 30.....69	SEAL KIT,HYDRAULIC CYLINDER***.....119-120
	SCREW,HHC,M14 X 30.....71	SEAL KIT,LIFT PUMP (53961)***.....53-54, 61, 65
	SCREW,HHC,M14 X 55.....59	SEAL KIT,MICO.....91-92
	SCREW,HHC,M6 X 20MM,GR8.8.....63	SEAL KIT,MOTOR TURNTABLE***.....91-92
	SCREW,HHC,M8 X 20MM.....51, 63, 65	SEAL KIT,OSC.CYL.....15
	SCREW,HHC,M8 X 30MM,GRD 8.8.....51	SEAL KIT,PLAT ROTATE***.....119-120, 123-124
	SCREW,HHC,M8 X 40.....51	SEAL KIT,S40 EXT.CYL.(35459).....113
	SCREW,HHC,M8 X 50.....69	SEAL KIT,SAUER-DANFOSS M46***.....53-54, 61, 65
	SCREW,HHC,M8 X 60MM X 1.25.....51	SEAL KIT,STEER CYL (89065).....15, 17, 33
	SCREW,PHIL,PHM,10-24X1.5 ZINC.....23-24, 39-40	SEAL KIT,SUNSTRAND.....23-24, 35, 40
	SCREW,PHILLIPS,PHM,10-32 X .5.....141	SEAL KIT,SWIVEL (44367).....91-92
	SCREW,PHILLIPS,PHM,10-32 X .75.....99, 101	SEAL KIT,SWIVEL (48542).....91-92
	SCREW,PHILLIPS,PHM,10-32 X1.25.....51	SEAL KIT,SWIVEL (73895).....91-92
	SCREW,PHILLIPS,PHM,6-32 X .5.....161	SEAL KIT,TORQUE HUB (20193).....23-24, 35, 39-40
	SCREW,PHM,10-24X.50,SELF TAP.....57	SEAL KIT,UNIVERSAL,9K ROTATOR*.....119-120, 123-124
	SCREW,RHM,10-32 X .5.....139	SEAL KIT,VALVE (48647).....84
	SCREW,RHM,10-32 X .75.....97	SEAL KIT-3" BORE X 1.5" ROD.....111
	SCREW,RHM,10-32 X 1.....147	SEAL, CAP.....91-92
	SCREW,RHM,10-32 X 1.25.....117	SEAL, GASKET, .0005" *SILVER*.....153-154
	SCREW,RHM,10-32 X 1.5.....91-92, 111	SEAL, GASKET, .00075" *GOLD*.....153-154
	SCREW,RHM,6-32 X .5.....137, 139	SEAL, GASKET, .0010".....153-154
	SCREW,SHC,1/2-13X5.0 GR 5 ZINC.....23-24, 40	SEAL, O-RING LIP.....91-92
	SCREW,SHC,1/4-20 X 2.....87-88	SEAL, POLY, CHAMFER.....91-92
	SCREW,SHC,10-24 X 1.250 (D01).....87-88	SEAL, SHAFT, 60511 APU.....87-88
	SCREW,SHC,10-24 X 2.....83-84	SEAL,O-RING,SQUARE.....91-92
	SCREW,SHC,3/8-16 X .75,BLACK.....119-120	SEAL,RETAINING RING.....153-154
	SCREW,SHC,3/8-16 X 1.....53-54	SEAL,SHAFT.....91-92, 153-154
	SCREW,SHC,5/8-16-18 X 2,PLATED.....92	SEAL,SHAFT-SUNDSTRAND***.....53-54, 61, 65
	SCREW,SHC,5/8-11 X 1.75.....91-92	SEAL-GREASE,MODEL 60-8.....19
	SCREW,SHC,5/8-11 X 3.00,A574...23-24, 35, 39-40, 91-92	SEAL/BEARING KIT (45043,54840).....19
	SCREW,SHC,5/8-11 X 4,A574.....73, 91-92	SENDING UNIT,OIL PRESS.,DEUTZ.....63
	SCREW,SHC,5/8-11X1.75 GR 5 ZIN.....91-92	SENDING UNIT,OIL PRESS.,DEUTZ*.....63
	SCREW,SHS,10-24 X .625.....27, 43, 63, 67	SENDING UNIT,OIL PRESSURE***.....51, 67
	SCREW,SHS,5/16-18 X 3.25.....92	SENDING UNIT,OIL TEMP.....63
	SCREWDRIVER,TERMINAL BLOCK.....97	SENDING UNIT,TMP,FRD,GM,PRK704.....51, 69
	SEAL KIT (CYL PN 30529).....111	SENDING UNIT-H20TMP LRG425EFI*.....51
	SEAL KIT (CYL PN 30585).....15, 17, 33	SENSOR, CRANK POSITION.....51
	SEAL KIT (W1B) TORQUE HUBS.....23-24, 35, 39-40	SENSOR,AIR TEMP,LRG-425 EFI***.....51
	SEAL KIT CYL,S40 (63206).....111	SENSOR,CAM,EFI***.....51
	SEAL KIT, AUSCO (73918).....92	SENSOR,COOLANT TEMP*.....51
	SEAL KIT, 37185 PUMP.....87-88	SENSOR,LEVEL,4.5 DEG.....87-88
	SEAL KIT, 58958 SWING MOTOR.....91-92	SENSOR,O2,LRG 425 EFI***.....53-54
	SEAL KIT, APU.....87-88	
	SEAL KIT, AUSCO BRAKE***.....23-24, 40	
	SEAL KIT, SOLENOID VALVE.....123-124	

S

S40 AIRLINE TO PLATFORM.....151

S40 NM RT TIRE,LH.....39-40

S40 NM RT TIRE,RH.....39-40

S40,60,80SPARE L.P.TANK W/BRKT.....153-154

SADDLE BRCKT40613,34419,53073*.....145

SADDLES-SET(24493,40613,53073*.....145

SCR,M 10X40 LG HEX FLG. SERR.....53-54

SCREW, HCC, 3/8-16 X 1.50.....57, 119-120, 123-124

SCREW, HHC, 1/4-20 X .5.....53-54, 91-92

SCREW,BLEEDER,M5X0.8.....119-120, 123-124

SCREW,FHM,10-32 X .75.....133, 135

SCREW,FHM,10-32 X 1.5.....51

SCREW,FHS,3/8-16 X 1.75.....103

SCREW,HEX,M4X0.7X10MM (20424)*.....143

SCREW,HEX,M4X0.7X30MM (20424)*.....143

SCREW,HHC,1-8 X 11,GRD 5***.....119-120

SCREW,HHC,1-8 X 12IN GRD.2***.....119-120

SCREW,HHC,1/2-13 X 1.25 GR5.....113, 115, 119-120

SCREW,HHC,1/2-13 X 1.5.....23-24, 35, 39-40, 53-54

SCREW,HHC,1/2-13 X 2 GR5...23-24, 39-40, 61, 65, 91-92

SCREW,HHC,1/2-13 X 3.....57

SCREW,HHC,1/2-13 X 4.....15, 17, 33

SCREW,HHC,1/2-13 X 5 BLACK.....23-24, 40, 91-92

SCREW,HHC,1/4-20 X .625.....63, 97, 117, 141

SCREW,HHC,1/4-20 X .75.....19, 23-24, 35, 40, 57, 61, 63, 67, 71, 73, 91-92, 95, 97, 117, 131, 133, 135, 141, 149

SCREW,HHC,1/4-20 X 1.....53-54, 67, 71, 73, 87-88, 97, 99, 101, 133, 135

SCREW,HHC,1/4-20 X 1.25.....51, 53-54, 99, 101, 131, 133, 135, 149

SCREW,HHC,1/4-20 X 1.5.....117, 149

SCREW,HHC,1/4-20 X 1.75.....101, 113, 115, 120

SCREW,HHC,1/4-20 X 2.....27, 43, 53-54, 59, 87-88, 117, 149, 153-154

SCREW,HHC,1/4-20 X 2.25.....117, 123-124

SCREW,HHC,1/4-20 X 3.5.....73, 117

SCREW,HHC,1/4-20 X 4.....27, 43

SCREW,HHC,3/8-16 X .75.....15, 17, 33, 35, 101, 103, 111, 113, 115, 117, 131, 161

SCREW,HHC,3/8-16 X 1.....15, 17, 24, 33, 40, 53-54, 61, 65, 71, 75, 77, 87-88, 91-92, 103, 113, 115, 119-120, 153-154

Part Description Index (continued)

VALVE,COUNTERBALANCE,1500 PSI.....91-92	WASHER,FLAT,USS,3/8",Y.....53-54, 57, 61, 63, 65, 75, 77, 87-88, 101, 103, 113, 115, 117, 119-120	WIRE CABLE,12/3 CON.TPE JKT.....97, 137, 139
VALVE,COUNTERBALANCE,3500 PSI.....84	WASHER,FLAT,USS,5/16",Y.....61, 63, 65, 71, 75, 77, 79, 81, 87-88, 99, 101, 103, 131, 133, 135, 153-154	WIRE CABLE,14/3 CON.TPE JKT*.....99
VALVE,DIFFERENTIAL SENSING.....27, 43	WASHER,FLAT,USS,5/8",Y.....57, 149	WIRE CABLE,16/2 SJO,BULK.....97
VALVE,DIFFERENTIAL SENSING***.....83-84	WASHER,LOCK,#10 PLTD.....83-84, 87-88, 91-92, 111, 117	WIRE CABLE,16/4 CON.TPE JKT.....97, 111, 117, 133, 135, 137, 139
VALVE,DRAIN,FORD,BLOCK,RAD.....53-54, 57	WASHER,LOCK,25.....19, 23-24, 35, 40, 53-54, 57, 61, 63, 73, 87-88, 91-92, 95, 97, 99, 101, 111, 117, 120, 123-124, 141, 149	WIRE CABLE,18/19 CON.TPRJKT.....97
VALVE,DUAL CB MANIFOLD.....120, 123-124	WASHER,LOCK,313.....61, 65	WIRE CABLE,18GA/19 CON.BNDREX.....97, 137, 139
VALVE,FLOW DIVIDER/COMBINER.....21, 37	WASHER,LOCK,375.....15, 17, 23-24, 33, 35, 39-40, 53-54, 61, 71, 75, 77, 87-88, 91-92, 99, 101, 103, 111, 113, 115, 117, 123-124, 131	WIRE LOOM,1.25 DIA.....133, 135
VALVE,FLOW REGULATOR 0.1 GPM.....84	WASHER,LOCK,625 PLTD.....57, 61, 73, 87-88, 149	WIRE LOOM,3/8 POLY SLIT.....133, 135
VALVE,FLOW REGULATOR 0.6GPM.....84	WASHER,LOCK,0.5".....23-24, 39-40, 53-54, 61, 65, 91-92, 113, 115, 119-120	WIRE,12/3 SJEOW,BK-WH-GR/YL.....137, 139
VALVE,FLOW REGULATOR 2 GPM.....87-88	WASHER,LOCK,M10.....57, 61, 63, 65	WIRING DUCT, 1.5 X 1.5.....97
VALVE,FLOW REGULATOR 2.0 GPM.....84	WASHER,LOCK,M12.....69	WLDMT.CABLE TRACK SUPP.TUBE***.....117
VALVE,FLOW REGULATOR 3.5 GPM**.....84	WASHER,LOCK,M14.....59, 71	WLDMT.CABLE TRACK TUBE S40.....117
VALVE,LOCK OFF,BEAM #FL-418.....51, 53-54	WASHER,LOCK,M6.....63	WLDMT.HYD.,SWIVEL MNT.,S40.....91-92
VALVE,PCV-FORD LRG***51	WASHER,LOCK,M8.....51, 63, 69	WORKLIGHT,48 VOLT.....149
VALVE,PRI. FLOW REG 4.3.....153-154	WASHER,NYLON,434 X.263X.049.....27, 43	
VALVE,PROPORTIONAL SOLENOID***.....84	WASHER,REDUCING 3/4" TO 1/2".....139	
VALVE,RELIEF 250 PSI***.....37	WASHER,SHIM,1.01 X 1.63 X.062.....113, 115	
VALVE,RELIEF 2900 PSI.....84	WASHER,SHIM,1.27 X 2.13 X .062.119-120, 123-124	
VALVE,RELIEF,1500 PSI***.....153-154	WASHER,SPINDLE.....19	
VALVE,RELIEF,1950 PSI,S40.....83-84	WASHER,STAR,#10,PLTD.....57	
VALVE,RELIEF,210 PSI.....21	WASHER,THRUST,1.5 X 3.5 X .187.....15, 17, 33	
VALVE,RELIEF,2200 PSI***.....83-84	WASHER,THRUST,TORQUE HUB.....23-24, 35, 39-40	
VALVE,SHUTTLE.....21, 37	WATER PUMP, PERKINS (53883).....69	
VALVE,SHUTTLE (30797).....27, 43	WEAR PAD,2.25 X 2.50 X .5.....117	
VALVE,SHUTTLE***.....27, 43, 91-92	WEAR PAD,3 X 1.5 X.625 W/NUTS.....131	
VALVE,SOLENOID (18660)***.....154	WEAR PAD,3 X 2 X .5 W/INSERT.....117	
VALVE,SOLENOID 3P4W.....88	WEAR PAD,4X2X.5 W/INSERT***.....57, 61, 73	
VALVE,SOLENOID N/C (SHORT)***.....123-124	WEAR PAD,5 X 1.5 X .625 W/NUTS...113, 115	
VALVE,SOLENOID N/O (LONG)***.....124	WEAR PAD,5 X 3 X .625 W/NUTS.....115	
VALVE,SOLENOID,10V W/DIODE.....59	WEAR PAD,6.5 X 5 X .75 W/NUTS.....113	
VALVE,SOLENOID,10V W/DIODE***.....59	WEAR PAD,CABLE TRACK.....117	
VALVE,SOLENOID,10V,2POS 3WAY**.....53-54, 73	WEAR PAD,EXTENSION CYLINDER.....115	
VALVE,SOLENOID,V2470DRT.....84	WELDMNT, CYLINDER MOUNTING.....111	
VALVE,UNLOADER,P.O.....27, 43	WELDMNT, ENGINE MODULE PLATE.....57, 59, 71, 73	
VALVE-SOLENOID, 2POS,3WAY,10V.....84	WELDMNT,CABLE TRACK GUIDE**.....117	
VENTURI,BEAM (FORD) ***.....51	WELDMNT,DEUTZ ENGINE MOUNT.....59	
VLV,MAN,3 POS/4 WAY,OPEN CTR.....43	WELDMNT,ENGINE MOUNT,INBOARD.....71	
	W E L D M E N T , E N G I N E MOUNT,OUTBOARD.....71	
	WELDMNT,EXHAUST SUPPORT.....61	
	WELDMNT,FRT AXLE OSC,ASSY.....15	
	WELDMNT,FUNCTION MANIFOLD MNT.....87-88	
	WELDMNT,HYD TANK MODULE.....87-88	
	WELDMNT,RADIATOR MOUNT LRG423...57	
	WELDMNT,RH,ENGINE MOUNT.....57	
	WELDMNT,ROD END.....15, 17, 33	
	WELDMNT,TIE ROD.....15, 17, 33	
	WELDMNT,TT COVER SUPPORT,RH.....101	
	WELMENT,DEUTZ ENGINE MOUNT.....59	
	WHEEL, 16.5 X 9.75 S40.....23-24, 35, 39-40	
	WHEEL, 16X10.....19	
	WHEEL, 19.5X14.00.....39-40	

W

Y

Yoke Assembly - Left Side.....33
Yoke Assembly - Right Side.....33
YOKE ASSEMBLY 2WD S40 LEFT.....15, 17
YOKE ASSEMBLY 2WD S40 RIGHT.....15, 17
YOKE ASSY,4WD,L.S.,S40.....33
YOKE ASSY,4WD,R.S.,S40.....33

Z

ZERK,GREASE,1/8 NPT.....91-92, 99

This Page Intentionally Left Blank

Fitting Cross References

Genie PN	Parker PN	Description	Genie PN	Parker PN	Description
12342	6-4 F5OX-S	CONNECTOR,STRAIGHT THREAD TO FLARE TUBE	42794	1 CR-S	ELBOW,90°,MALE PIPE
13757	4 R6X-S	RUN TEE,SWIVEL NUT,ORFS	42795	BV-0839	BALL VALVE
19685	12-10 C5OX-S	ELBOW,90°,STRAIGHT THREAD TO FLARE TUBE	42796	BV-0838	BALL VALVE
22664	12-10 C5OX	ELBOW,90°,STRAIGHT THREAD TO FLARE TUBE	42874	6-8 CLO-S	ELBOW,90°,MALE PIPE TO ORFS
27431	8-12 F5OX-S	CONNECTOR,STRAIGHT THREAD TO FLARE TUBE	42912	13943-6-4	HOSE END,90° FEMALE SWIVEL,JIC
28678	AS-B-33	SLEEVE,NYLON,1.81" ID	42920	BV-0840	BALL VALVE,90°
39871	6 WETX-WLN-S	UNION,90° BULKHEAD W/NUT,FLARE TUBE	42932	AS-B-17	SLEEVE,NYLON,1.22" ID
39872	4 R5OX-S	RUN TEE,STRAIGHT THREAD	42936	10243-2-4	HOSE END,FEMALE PIPE
39873	6 C5OX-S	ELBOW,90°,STRAIGHT THREAD TO FLARE TUBE	42953	1/2 DD-S	ELBOW,90°,FEMALE PIPE
39874	8-6 C5OX-S	ELBOW,90°,STRAIGHT THREAD TO FLARE TUBE	42956	6 WELO-WLNL-S	UNION,90° BULKHEAD W/NUT,ORFS
39875	4-6 C5OX-S	ELBOW,90°,STRAIGHT THREAD TO FLARE TUBE	45349	8 V5OX-S	ELBOW,45°,STRAIGHT THREAD TO FLARE TUBE
39876	6-8 C5OX-S	ELBOW,90°,STRAIGHT THREAD TO FLARE TUBE	45351	4 V5OX-S	ELBOW,45°,STRAIGHT THREAD TO FLARE TUBE
39877	4 F5OX-S	CONNECTOR,STRAIGHT THREAD TO FLARE TUBE	47223	10343-6-6	HOSE END,MALE,JIC
39878	6 F5OX-S	CONNECTOR,STRAIGHT THREAD TO FLARE TUBE	47419	PS690503-6-6	SWIVEL,90°,STRAIGHT THREAD TO 37° FLARE
39879	4-8 F5OX-S	CONNECTOR,STRAIGHT THREAD TO FLARE TUBE	48750	421-4	HOSE,1/4 INCH ID
39880	6-10 F5OX-S	CONNECTOR,STRAIGHT THREAD TO FLARE TUBE	48751	481TC-4	HOSE,1/4 INCH ID
39881	4-6 F5OX-S	CONNECTOR,STRAIGHT THREAD TO FLARE TUBE	48752	482TC-4	HOSE,1/4 INCH ID
39882	4-HP5ON-S	PLUG,STRAIGHT THREAD	48753	451TC-6	HOSE,3/8 INCH ID
39883	8-8 FTX-S	CONNECTOR,MALE PIPE TO FLARE TUBE	48754	482TC-6	HOSE,3/8 INCH ID
39885	269HB 12-12	ELBOW,90°,BEADED HOSE BARB TO MALE PIPE	48755	381-6	HOSE,3/8 INCH ID
39886	431-6	HOSE,3/8 INCH ID	48756	451TC-8	HOSE,1/2 INCH ID
39887	540N-2	HOSE,1/8 INCH ID	48757	482TC-8	HOSE,1/2 INCH ID
39888	801-8	HOSE,1/2 INCH ID	48758	381-8	HOSE,1/2 INCH ID
39889	801-12	HOSE,3/4 INCH ID	48759	381-10	HOSE,5/8 INCH ID
39890	10643-6-6	HOSE END,FEMALE SWIVEL,JIC	48760	451TC-10	HOSE,5/8 INCH ID
39891	13943-6-6	HOSE END,90° FEMALE SWIVEL,JIC	48761	482TC-12	HOSE,3/4 INCH ID
39892	13743-6-6	HOSE END,45° FEMALE SWIVEL,JIC	48762	451TC-12	HOSE,3/4 INCH ID
39894	30682-8-8	HOSE END,FEMALE SWIVEL,JIC	48763	772-12	HOSE,3/4 INCH ID
39895	30682-10-12	HOSE END,FEMALE SWIVEL,JIC	48764	881-16	HOSE,1 INCH ID
42286	8-8 CTX-S	ELBOW,90°,MALE PIPE TO FLARE TUBE	48765	772-16	HOSE,1 INCH ID
42756	8-12 CLO-S	ELBOW,90,MALE PIPE TO ORFS	48766	AS-B-15	SLEEVE,NYLON,1.06" ID
42757	8-12 FLO-S	CONNECTOR,MALE PIPE TO ORFS	48767	AS-B-22	SLEEVE,NYLON,1.42" ID
42758	4 JLO-S	UNION TEE,ORFS	48770	881-8	HOSE,1/2 INCH ID
42759	4-4 FLO-S	CONNECTOR,MALE PIPE TO ORFS			
42760	6-8 FLO-S	CONNECTOR,MALE PIPE TO ORFS			
42761	1J143-6-4	HOSE END,90° FEMALE SWIVEL,SEAL LOK			
42762	1J743-6-4	HOSE END,45° FEMALE SWIVEL,SEAL LOK			
42768	1JO43-4-4	HOSE END,MALE,SEAL LOK			
42776	601-8	HOSE,1/2 INCH ID			
42777	1J743-16-16	HOSE END,45° FEMALE SWIVEL,SEAL LOK			
42786	16 CLO-S	ELBOW,90°,MALE PIPE TO ORFS			
42787	16 R6LO-S	RUN TEE,SWIVEL NUT,ORFS			
42788	16-8 TRLO-BL-S	REDUCER,TUBE END TO SWIVEL,ORFS			
42789	6-6 CLO-S	ELBOW,90°,MALE PIPE TO ORFS			
42790	8-10 V5OLO-S	ELBOW,45°,STRAIGHT THREAD TO ORFS			
42791	3/4 CD-S	ELBOW,90°,MALE TO FEMALE PIPE			
42792	3/4 X 1/2 PTR-S	REDUCER,MALE TO FEMALE PIPE			
42793	1/2 CR-S	ELBOW,90°,MALE PIPE			

Fitting Cross References (Continued)

Genie PN	Parker PN	Description	Genie PN	Parker PN	Description
48771	881-10	HOSE,5/8 INCH ID	48847	13943-12-12	HOSE END,90° FEMALE SWIVEL,JIC
48772	381-4	HOSE,1/4 INCH ID	48848	10543-12-12	HOSE END,MALE,STRAIGHT THREAD
48773	AS-B-13	SLEEVE,NYLON,.86" ID	48849	1JC71-12-12	HOSE END,FEMALE SWIVEL,SEAL LOK
48800	1JC43-4-4	HOSE END,FEMALE SWIVEL,SEAL LOK	48850	1JS71-12-12	HOSE END,FEMALE SWIVEL,SEAL LOK
48801	1J743-4-4	HOSE END,45° FEMALE SWIVEL,SEAL LOK	48851	1J171-12-12	HOSE END,90° FEMALE SWIVEL,SEAL LOK
48802	1J943-4-4	HOSE END,90° FEMALE SWIVEL,SEAL LOK	48852	1J771-12-12	HOSE END,45° FEMALE SWIVEL,SEAL LOK
48804	1JM43-4-4	HOSE END,MALE,SEAL LOK, NO O-RING	48853	1J971-12-12	HOSE END,90° FEMALE SWIVEL,SEAL LOK
48805	10643-4-4	HOSE END,FEMALE SWIVEL,JIC	48854	1JC43-16-16	HOSE END,FEMALE SWIVEL,SEAL LOK
48806	13943-4-4	HOSE END,90° FEMALE SWIVEL,JIC	48855	1J943-16-16	HOSE END,90° FEMALE SWIVEL,SEAL LOK
48807	1JS43-4-4	HOSE END,FEMALE SWIVEL,SEAL LOK	48856	1J171-16-16	HOSE END,90° FEMALE SWIVEL,SEAL LOK
48808	3JC82-8-8	HOSE END,FEMALE SWIVEL,SEAL LOK	48857	1J971-16-16	HOSE END,90° FEMALE SWIVEL,SEAL LOK
48809	3JC82-12-12	HOSE END,FEMALE SWIVEL,SEAL LOK	48859	1JS43-8-4	HOSE END,FEMALE SWIVEL,SEAL LOK
48810	1JC43-6-4	HOSE END,FEMALE SWIVEL,SEAL LOK	48867	PD36BTL	DIAGNOSTIC NIPPLE,SEAL-LOK SWIVEL
48811	1J943-6-4	HOSE END,90° FEMALE SWIVEL,SEAL LOK	48873	6 PNLO-S	PLUG,TUBE END,ORFS
48812	1JC43-6-6	HOSE END,FEMALE SWIVEL,SEAL LOK	48874	6 PNTX-S	PLUG,FLARE TUBE
48813	1J143-6-6	HOSE END,90° FEMALE SWIVEL,SEAL LOK	48875	6 R6LO-S	RUN TEE,SWIVEL NUT,ORFS
48814	1J543-6-6	HOSE END,90° FEMALE SWIVEL,SEAL LOK	48877	4 F5OLO-SW/.025	CONNECTOR,STRAIGHT THREAD TO ORFS, W/.025 ORI
48815	1J743-6-6	HOSE END,45° FEMALE SWIVEL,SEAL LOK	48878	16-12 C5OLO-S	ELBOW,90°,STRAIGHT THREAD TO ORFS
48816	1J943-6-6	HOSE END,90° FEMALE SWIVEL,SEAL LOK	48879	8 C6LO-S	ELBOW,90°,SWIVEL NUT ORFS
48817	1JS43-6-8	HOSE END,FEMALE SWIVEL,SEAL LOK	48880	PD6-285	CAP,DIAGNOSTIC NIPPLE
48818	1J943-8-4	HOSE END,90° FEMALE SWIVEL,SEAL LOK	48881	6 HLO-S	UNION,ORFS
48819	1JC43-8-6	HOSE END,FEMALE SWIVEL,SEAL LOK	48883	8 P5ON-S	PLUG,STRAIGHT THREAD
48820	1J743-8-6	HOSE END,45° FEMALE SWIVEL,SEAL LOK	48884	8M18F87OMLO-S	CONNECTOR,METRIC,STRAIGHT THREAD TO ORFS
48821	1J943-8-6	HOSE END,90° FEMALE SWIVEL,SEAL LOK	48885	4 WGTX-WLN-S	CONNECTOR,BULKHEAD,FEMALE PIPE TO FLARE TUBE
48822	1JC43-8-8	HOSE END,FEMALE SWIVEL,SEAL LOK	48886	4 F5OLO-SW/2MM	CONNECTOR,MACHINED STRAIGHT THREAD TO ORFS
48823	1JS43-8-8	HOSE END,FEMALE SWIVEL,SEAL LOK	48887	4 CTX-S	ELBOW,90°,MALE PIPE TO FLARE TUBE
48824	1J143-8-8	HOSE END,90° FEMALE SWIVEL,SEAL LOK	48888	10-12 V5OLO-S	ELBOW,45°,STRAIGHT THREAD TO ORFS
48825	1J543-8-8	HOSE END,90° FEMALE SWIVEL,SEAL LOK	48890	4 S5OLO-S	BRANCH TEE,STRAIGHT THREAD TO ORFS
48826	1J743-8-8	HOSE END,45° FEMALE SWIVEL,SEAL LOK	48891	4 S6LO-S	BRANCH TEE,SWIVEL NUT TO ORFS
48827	1J943-8-8	HOSE END,90° FEMALE SWIVEL,SEAL LOK			
48828	1JC43-10-8	HOSE END,FEMALE SWIVEL,SEAL LOK			
48829	1JS43-10-8	HOSE END,FEMALE SWIVEL,SEAL LOK			
48830	1J743-10-8	HOSE END,45° FEMALE SWIVEL,SEAL LOK			
48831	1J943-10-8	HOSE END,90° FEMALE SWIVEL,SEAL LOK			
48833	1JC43-10-10	HOSE END,FEMALE SWIVEL,SEAL LOK			
48834	1J943-10-10	HOSE END,90° FEMALE SWIVEL,SEAL LOK			
48835	1JS43-10-12	HOSE END,FEMALE SWIVEL,SEAL LOK			
48836	1JC43-12-8	HOSE END,FEMALE SWIVEL,SEAL LOK			
48837	1JS43-12-8	HOSE END,FEMALE SWIVEL,SEAL LOK			
48838	1J743-12-8	HOSE END,45° FEMALE SWIVEL,SEAL LOK			
48839	1J943-12-8	HOSE END,90° FEMALE SWIVEL,SEAL LOK			
48840	1J943-12-10	HOSE END,90° FEMALE SWIVEL,SEAL LOK			
48841	1JC43-12-12	HOSE END,FEMALE SWIVEL,SEAL LOK			
48842	1JO43-12-12	HOSE END,MALE,SEAL LOK			
48843	1J143-12-12	HOSE END,90° FEMALE SWIVEL,SEAL LOK			
48844	1J543-12-12	HOSE END,90° FEMALE SWIVEL,SEAL LOK			
48845	1J743-12-12	HOSE END,45° FEMALE SWIVEL,SEAL LOK			
48846	1J943-12-12	HOSE END,90° FEMALE SWIVEL,SEAL LOK			

Fitting Cross References (Continued)

Genie PN	Parker PN	Description	Genie PN	Parker PN	Description
48892	6 C6LO-S	ELBOW,90°,SWIVEL NUT ORFS	48938	8 R6LO-S	RUN TEE,SWIVEL NUT,ORFS
48893	6 F5OHAO-S	UNION,STRAIGHT THREAD	48939	8 S6LO-S	BRANCH TEE,SWIVEL NUT TO ORFS
48894	8 WLO-WLNL-S	UNION,BULKHEAD,ORFS	48940	8 WJLO-WLNL-S	RUN TEE, BULKHEAD,ORFS
48895	DT-370-MSMO-5	VALVE,CHECK	48941	8-4 TRLO-S	REDUCER,TUBE END TO SWIVEL,ORFS
48896	6 JLO-S	UNION,TEE,ORFS	48942	8-6 C5OLO-S	ELBOW,90°,STRAIGHT THREAD TO ORFS
48897	DT-750-MSMS-5	VALVE,CHECK	48943	8-6 F5OLO-S	CONNECTOR,STRAIGHT THREAD TO ORFS
48898	DT-750-MOMS-5	VALVE,CHECK	48944	8-8 FLO-S	CONNECTOR,MALE PIPE TO ORFS
48899	DT-620-MOMS-5	VALVE,CHECK	48945	8 FTX-S	CONNECTOR,MALE PIPE TO FLARE TUBE
48900	4-6 F5OLO-SW/.035	CONNECTOR,STRAIGHT THREAD TO ORFS, W/.035 ORI	48946	8-10 F5OLO-S	CONNECTOR,STRAIGHT THREAD TO ORFS
48902	16-1 AOE4G-S	ELBOW,90° LONG,FEMALE PIPE TO STRAIGHT THREAD	48947	8-12 C5OLO-S	ELBOW,90°,STRAIGHT THREAD TO ORFS
48903	1 FF-S	NIPPLE,PIPE	48948	8-12 F5OLO-S	CONNECTOR,STRAIGHT THREAD TO ORFS
48904	4 C5OLO-S	ELBOW,90°,STRAIGHT THREAD TO ORFS	48949	8-16 F5OLO-S	CONNECTOR,STRAIGHT THREAD TO ORFS
48905	4 F5OLO-S	CONNECTOR,STRAIGHT THREAD TO ORFS	48950	10 C5OLO-S	ELBOW,90°,STRAIGHT THREAD TO ORFS
48906	4 R5OLO-S	RUN TEE,STRAIGHT THREAD	48951	10 CC5OLO-S	ELBOW,90° LONG,STRAIGHT THREAD TO ORFS
48907	4 V5OLO-S	ELBOW,45°,STRAIGHT THREAD TO ORFS	48952	10 F5OLO-S	CONNECTOR,STRAIGHT THREAD TO ORFS
48908	4 R6LO-S	RUN TEE,SWIVEL NUT,ORFS	48953	10 R5OLO-S	RUN TEE,STRAIGHT THREAD
48909	4 WJLO-WLNL-S	RUN TEE, BULKHEAD,ORFS	48954	10 S5OLO-S	BRANCH TEE,STRAIGHT THREAD TO ORFS
48910	4 GTX-S W/.030	CONNECTOR,FEMALE PIPE TO FLARE TUBE	48955	10 R6LO-S	RUN TEE,SWIVEL NUT,ORFS
48911	4-6 C5OLO-S	ELBOW,90°,STRAIGHT THREAD TO ORFS	48956	10-4 TRLO-BL-S	REDUCER,TUBE END TO SWIVEL,ORFS
48912	4-6 F5OLO-S	CONNECTOR,STRAIGHT THREAD TO ORFS	48957	10-6 TRLO-BL-S	REDUCER,TUBE END TO SWIVEL,ORFS
48913	4-6 F5OLO-SW/.030	CONNECTOR,STRAIGHT THREAD TO ORFS, W/.030 ORI	48958	10-12 F5OLO-S	CONNECTOR,STRAIGHT THREAD TO ORFS
48914	4-8 F5OLO-S	CONNECTOR,STRAIGHT THREAD TO ORFS	48959	12 C5OLO-S	ELBOW,90°,STRAIGHT THREAD TO ORFS
48915	6 C5OLO-S	ELBOW,90°,STRAIGHT THREAD TO ORFS	48960	12 F5OLO-S	CONNECTOR,STRAIGHT THREAD TO ORFS
48916	6 F5OLO-S	CONNECTOR,STRAIGHT THREAD TO ORFS	48961	12 R5OLO-S	RUN TEE,STRAIGHT THREAD
48917	6 FF5OLO-S	CONNECTOR,LONG,STRAIGHT THREAD TO ORFS	48962	12 S5OLO-S	BRANCH TEE,STRAIGHT THREAD TO ORFS
48918	6 R5OLO-S	RUN TEE,STRAIGHT THREAD	48963	12 V5OLO-S	ELBOW,45°,STRAIGHT THREAD TO ORFS
48919	6 S5OLO-S	BRANCH TEE,STRAIGHT THREAD TO ORFS	48964	12 R6LO-S	RUN TEE,SWIVEL NUT,ORFS
48920	6 V5OLO-S	ELBOW,45°,STRAIGHT THREAD TO ORFS	48965	12 CLO-S	ELBOW,90°,MALE PIPE TO ORFS
48921	6 FLO-S	CONNECTOR,MALE PIPE TO ORFS	48966	12 FLO-S	CONNECTOR,MALE PIPE TO ORFS
48922	6-6 FLO-S	CONNECTOR,MALE PIPE TO ORFS	48967	12 JLO-S	UNION TEE,ORFS
48923	6 P5ON-S	PLUG,STRAIGHT THREAD	48968	12 WLO-WLNL-S	UNION,BULKHEAD,ORFS
48925	6 WELO-S	UNION,90° BULKHEAD,ORFS	48969	12 WJLO-WLNL-S	RUN TEE, BULKHEAD,ORFS
48926	6-4 C5OLO-S	ELBOW,90°,STRAIGHT THREAD TO ORFS	48970	12 WELO-WLNL-S	UNION,90° BULKHEAD W/NUT,ORFS
48927	6-4 F5OLO-S	CONNECTOR,STRAIGHT THREAD TO ORFS			
48928	6-4 V5OLO-S	ELBOW,45°,STRAIGHT THREAD TO ORFS			
48929	6-8 C5OLO-S	ELBOW,90°,STRAIGHT THREAD TO ORFS			
48930	6-8 F5OLO-S	CONNECTOR,STRAIGHT THREAD TO ORFS			
48931	6-10 F5OLO-S	CONNECTOR,STRAIGHT THREAD TO ORFS			
48932	8 C5OLO-S	ELBOW,90°,STRAIGHT THREAD TO ORFS			
48933	8 F5OLO-S	CONNECTOR,STRAIGHT THREAD TO ORFS			
48934	8 FF5OLO-S	CONNECTOR,LONG,STRAIGHT THREAD TO ORFS			
48935	8 R5OLO-S	RUN TEE,STRAIGHT THREAD			
48936	8 S5OLO-S	BRANCH TEE,STRAIGHT THREAD TO ORFS			
48937	8 V5OLO-S	ELBOW,45°,STRAIGHT THREAD TO ORFS			

Fitting Cross References (Continued)

Genie PN	Parker PN	Description	Genie PN	Parker PN	Description
48971	12 G5G5JG5-S	TEE,FEMALE STRAIGHT THREAD	49612	PKT02586	O-RING KIT (ORFS FITTINGS)
48972	12 XHL6-S	ADAPTER, 37° MALE TO SWIVEL ORFS	49613	PKT06276	PLUG AND CAP KIT-SERVICE,ORFS
48973	12-1/2 F5OG-S	ADAPTER,FEMALE PIPE TO STRAIGHT THREAD	49728	10143-12-12	HOSE END, MALE PIPE
48974	12-10 C5OLO-S	ELBOW,90°,STRAIGHT THREAD TO ORFS	49729	16-1 F5OG-S	ADAPTER,FEMALE PIPE TO STRAIGHT THREAD
48975	12-10 F5OLO-S	CONNECTOR,STRAIGHT THREAD TO ORFS	49814	12-8 FLO-S	CONNECTOR,MALE PIPE TO ORFS
48976	12-16 C5OLO-S	ELBOW,90°,STRAIGHT THREAD TO ORFS	49829	DT-500-MOMF-5	VALVE,CHECK
48977	12-16 F5OLO-S	CONNECTOR,STRAIGHT THREAD TO ORFS	49831	881-12	HOSE,3/4 INCH ID
48978	12-16 V5OLO-S	ELBOW,45°,STRAIGHT THREAD TO ORFS	49834	16 JLO-S	UNION TEE,ORFS
48980	12-16 FLO-S	CONNECTOR,MALE PIPE TO ORFS	49838	12-8 TRLO-BL-S	REDUCER,TUBE END TO SWIVEL,ORFS
48983	16 C5OLO-S	ELBOW,90°,STRAIGHT THREAD TO ORFS	49840	8 JLO-S	UNION TEE,ORFS
48984	16 F5OLO-S	CONNECTOR,STRAIGHT THREAD TO ORFS	49844	10-8 TRLO-BL-S	REDUCER,TUBE END TO SWIVEL,ORFS
48985	16 V5OLO-S	ELBOW,45°,STRAIGHT THREAD TO ORFS	49854	8 P5ON-S	PLUG,STRAIGHT THREAD
48986	16 FLO-S	CONNECTOR,MALE PIPE TO ORFS	49855	1JC43-16-12	HOSE END,FEMALE SWIVEL,SEAL LOK
48988	16 CD45-S	ELBOW,45°,MALE TO FEMALE PIPE	49859	4 P5ON-S	PLUG,STRAIGHT THREAD
48989	12 CD45-S	ELBOW,45°,MALE TO FEMALE PIPE	49861	4 FF5OLO-S	CONNECTOR,LONG,STRAIGHT THREAD TO ORFS
48990	8 CD45-S	ELBOW,45°,MALE TO FEMALE PIPE	49867	12-3/4 F5OG-S	ADAPTER,FEMALE PIPE TO STRAIGHT THREAD
48991	16-12 FLO-S	CONNECTOR,MALE PIPE TO ORFS	51152	6 R6X-S	RUN TEE,SWIVEL NUT,ORFS
48992	16-12 V5OLO-S	ELBOW,45°,STRAIGHT THREAD TO ORFS	51153	6-4 TRTX-S	REDUCER,TUBE END TO SWIVEL,ORFS
48993	XV501-12	BALL VALVE	51154	4-4 GTX	CONNECTOR,FEMALE PIPE TO FLARE TUBE
48994	XV501-16	BALL VALVE	51264	881-12	HOSE,3/4 INCH ID
48995	XV510P-12	BALL VALVE	51265	8 JLO-S	UNION TEE,ORFS
48996	XV510P-16	BALL VALVE	51508	6 BTX-S	NUT,FLARE TUBE
48997	PD341	DIAGNOSTIC NIPPLE, STRAIGHT THREAD	51580	12-8 TRLO-BL-S	TUBE END REDUCER,ORFS
48998	PD 361	DIAGNOSTIC NIPPLE, STRAIGHT THREAD	51628	6 R6X-S	RUN TEE,SWIVEL NUT,ORFS
48999	DT-500-MOMS-5	VALVE,CHECK	51735	3/8 HHP	PLUG,PIPE THREAD
49201	10 V5OLO-S	ELBOW,45°,STRAIGHT THREAD TO ORFS	51803	1J943-6-8	HOSE END,90° FEMALE SWIVEL,SEAL LOK
49202	1JC43-12-10	HOSE END,FEMALE SWIVEL,SEAL LOK	53023	125HBL-5-4	FITTING,HOSE BARB TO MALE PIPE
49203	10-8 V5OLO-S	ELBOW,45°,STRAIGHT THREAD TO ORFS	53497	PKT02585	O-RING KIT
49205	6 F5OHAO-S	UNION,STRAIGHT THREAD	53499	1JC71-16-16	HOSE END,FEMALE SWIVEL,SEAL LOK
49207	PD34BTL	DIAGNOSTIC NIPPLE,SEAL-LOK SWIVEL	53500	3-904	O-RING,STRAIGHT THREAD,-4
49209	8M18F870MX-S	CONNECTOR,METRIC,STRAIGHT THREAD TO FLARE TUBE	53501	3-906	O-RING,STRAIGHT THREAD,-6
49212	8 WGTX-WLN-S	CONNECTOR,BULKHEAD,FEMALE PIPE TO FLARE TUBE	53502	3-908	O-RING,STRAIGHT THREAD,-8
49213	30682-8-8	HOSE END,FEMALE SWIVEL,JIC	53503	3-910	O-RING,STRAIGHT THREAD,-10
49216	831-8	HOSE,1/2 INCH ID			
49217	33982-8-8	HOSE END,90° FEMALE SWIVEL,JIC			
49219	PS-B-35	SLEEVE,NYLON,2.19" ID			
49418	4-6 V5OLO-S	ELBOW,45°,STRAIGHT THREAD TO ORFS			
49511	DT370-MOMS-5	VALVE,CHECK			
49512	1 DD-S	ELBOW,90°,FEMALE PIPE			
49513	1 FF-S	NIPPLE,PIPE			
49514	10 HP5ON-S	PLUG,STRAIGHT THREAD			
49515	12-16 CLO-S	ELBOW,90°,MALE PIPE TO ORFS			
49517	6 HP5ON-S	PLUG,STRAIGHT THREAD			
49519	16-12 F5OLO-S	CONNECTOR,STRAIGHT THREAD TO ORFS			
49520	4 VTX-S	ELBOW,45°,MALE PIPE TO FLARE TUBE			
49530	16 C6LO-S	ELBOW,90°,SWIVEL NUT ORFS			

Fitting Cross References (Continued)

Genie PN	Parker PN	Description	Genie PN	Parker PN	Description
53535	3-912	O-RING, STRAIGHT THREAD, -12	61083	24 F5OLO-S	CONNECTOR, STRAIGHT THREAD TO ORFS
53536	4-PNLO-S	PLUG, TUBE END, ORFS	61086	20 R5OLO-S	RUN TEE, STRAIGHT THREAD
53537	6 PNLO-S	PLUG, TUBE END, ORFS	61090	24-20 F5OLO-S	CONNECTOR, STRAIGHT THREAD TO ORFS
53538	8 PNLO-S	PLUG, TUBE END, ORFS	61091	1J943-24-24	HOSE END, 90° FEMALE SWIVEL, SEAL LOK
53539	10 PNLO-S	PLUG, TUBE END, ORFS	61093	1J978-12-12	HOSE END, 90° FEMALE SWIVEL, JIC
53540	12 PNLO-S	PLUG, TUBE END, ORFS	61095	1JS43-20-16	HOSE END, FEMALE SWIVEL, SEAL LOK
53946	129HB-5-4	FITTING, 90° HOSE BARB TO MALE PIPE	61100	811-24	HOSE, 1 1/2 INCH ID
53951	8-1/4F50G-S	ADAPTER, FEMALE PIPE TO STRAIGHT THREAD	61130	1JS43-24-24	HOSE END, FEMALE SWIVEL, SEAL LOK
53980	6 S6LO-S	BRANCH TEE, SWIVEL NUT TO ORFS	61131	1JS78-12-12	HOSE END, FEMALE SWIVEL, SEAL LOK
54132	4 C6LO-S	ELBOW, 90°, SWIVEL NUT ORFS	61132	1J778-12-12	HOSE END, 45° FEMALE SWIVEL, JIC
54135	11343-16-16	HOSE END, MALE SWIVEL, PIPE	61152	139HB-6-4	ELBOW, 45°, BARB TO MALE PIPE
54283	8-10 C5OLO-S	ELBOW, 90°, STRAIGHT THREAD TO ORFS	61251	BV-0750	BALL VALVE
54428	8M18C870MLO-S	ELBOW, 90° METRIC, STRAIGHT THREAD TO ORFS	61259	4 CC5OLO-S	ELBOW, 90° LONG, STRAIGHT THREAD TO ORFS
54803	FS-F-16-10	SLEEVE, FIRE, .96" ID	61260	20-12 TRLO-BL	REDUCER, TUBE END TO SWIVEL, ORFS
54954	10143-2-4	HOSE END, MALE PIPE	61262	12 C6LO-S	ELBOW, 90°, SWIVEL NUT ORFS
55190	3/8 HP-S	PLUG, PIPE THREAD	61263	20 F5OHAO-S	UNION, STRAIGHT THREAD
55448	8 HLO-S	UNION, ORFS	61264	6-10 C5OLO-S	ELBOW, 90°, STRAIGHT THREAD TO ORFS
55839	6 F65OX-S	CONNECTOR, STRAIGHT THREAD TO 37° SWIVEL	61265	6 WNLO-WLNL-S	UNION, BULKHEAD 45°, ORFS
55968	10 C5OX-S	ELBOW, 90°, STRAIGHT THREAD TO FLARE TUBE	61268	4 WNLO-WLNL-S	UNION, BULKHEAD 45°, ORFS
56003	6 CC5OLO-S	ELBOW, 90° LONG, STRAIGHT THREAD TO ORFS	61269	4 WLO-WLNL-S	UNION, BULKHEAD, ORFS
56166	BV-0837	BALL VALVE, 90°	61272	12 AOEL6	ELBOW, 90°, STRAIGHT THREAD TO ORFS SWIVEL
56188	10143-8-6	HOSE END, MALE PIPE	61316	482TC-16	HOSE, 1 INCH ID
56233	2-011	O-RING, ORFS, -4	61321	6 JLO-S	UNION TEE, ORFS
56234	2-012	O-RING, ORFS, -6	61327	782-12	HOSE, 3/4 INCH ID
56235	2-014	O-RING, ORFS, -8	61328	881-24	HOSE, 1 1/2 INCH ID
56236	2-016	O-RING, ORFS, -10	61336	11943-20-24	HOSE END, 90° FLANGE HEAD
56237	2-018	O-RING, ORFS, -12	61345	12 WJLO-WLNL-S	RUN TEE, BULKHEAD, ORFS
56238	2-021	O-RING, ORFS, -16	61346	8 WNLO-WLNL-S 4	UNION, BULKHEAD 45°, ORFS
56352	6 WLNL-S	LOCKNUT, BULKHEAD	61569	33782-8-8	HOSE END, 45° FEMALE SWIVEL, JIC
56353	3J782-12-12	HOSE END, 45° FEMALE SWIVEL, SEAL LOK	61610	12 FF5OLO-S	CONNECTOR, LONG, STRAIGHT THREAD TO ORFS
56354	3J982-12-12	HOSE END, 90° FEMALE SWIVEL, SEAL LOK	61742	1/8 X 1.5 FFF	NIPPLE, PIPE
56604	10-8 F5OLO-S	CONNECTOR, STRAIGHT THREAD TO ORFS	63426	8 PNTX-S	PLUG, FLARE TUBE
56639	3JC82-10-10	HOSE END, FEMALE SWIVEL, SEAL LOK			
56640	3J982-10-10	HOSE END, 90° FEMALE SWIVEL, SEAL LOK			
56655	3JC82-8-10	HOSE END, FEMALE SWIVEL, SEAL LOK			
56676	10-8 C5OLO-S	ELBOW, 90°, STRAIGHT THREAD TO ORFS			
56776	471TC-6	HOSE, 3/8 INCH ID			
56777	471TC-8	HOSE, 1/2 INCH ID			
56789	811-16	HOSE, 1 INCH ID			
57884	3/8 FF	NIPPLE, PIPE			
59335	6 FNL-S	CAP, TUBE END			
59342	4 FNL-S	CAP, TUBE END			
59371	8 HP5ON-S	PLUG, STRAIGHT THREAD			
60653	BV-0751	BALL VALVE			
60806	125HB-3-4	FITTING, HOSE BARB TO MALE PIPE			
61064	5-1/4 F50G-S	ADAPTER, FEMALE PIPE TO STRAIGHT THREAD			
61079	4 WELO-WLNL-S	UNION, 90° BULKHEAD W/NUT, ORFS			
61080	6 WLO-WLNL-S	UNION, BULKHEAD, ORFS			

Fitting Cross References (Continued)

Genie PN	Parker PN	Description	Genie PN	Parker PN	Description
64271	4 WLO-WLNL-S	UNION,BULKHEAD,ORFS	75631	801-6	HOSE,3/8 INCH ID
64272	6 WLO-WLNL-S	UNION,BULKHEAD,ORFS	75654	20 F5OLO-S	CONNECTOR,STRAIGHT THREAD TO ORFS
65776	8 F65OL-S	CONNECTOR,STRAIGHT THREAD TO ORFS SWIVEL	75655	1J943-20-20	HOSE END,90° FEMALE SWIVEL,SEAL LOK
65880	6001012	O-RING KIT	75656	881-20	HOSE,1-1/4 INCH ID
66154	6 WTX-WLNS	UNION,BULKHEAD,FLARE TUBE	75971	8 F5OHAO-S	UNION,STRAIGHT THREAD
66155	6 WETX-S	UNION,BULKHEAD 90°,FLARE TUBE	77307	1JB43-8-8	HOSE END,BULKHEAD,SEAL LOK
66156	6 WLN-S	BULKHEAD LOCKNUT	77309	8 WLNL-S	BULKHEAD LOCKNUT
66389	6-8 F5OX-S	CONNECTOR,STRAIGHT THREAD TO FLARE TUBE	77379	8M18C87OMX-S	ELBOW,90° METRIC,STRAIGHT THREAD TO FLARE TUBE
66392	6 R5OX-S	RUN TEE,STRAIGHT THREAD	77703	3J982-8-8	HOSE END,90° FEMALE SWIVEL,SEAL LOK
66396	811-12	HOSE,3/4 INCH ID	77711	801-10	HOSE,5/8 INCH ID
66829	H3174PP	CLAMP,TUBE	77758	12 WNLO-WLNL-S	UNION,BULKHEAD 45°,ORFS
67217	4 KLO-S	UNION,CROSS,ORFS	78091	6 C6X-S	ELBOW,90°,SWIVEL NUT TO FLARE TUBE
67339	10-6 F5OX-S	CONNECTOR,STRAIGHT THREAD TO FLARE TUBE	78684	30582-8-8B	HOSE END,PUSH LOK,MALE
67357	13943-8-6	HOSE END,90° FEMALE SWIVEL,JIC	78852	549-2	HOSE,1/8 INCH ID
67358	10 HP5ON-S	PLUG,STRAIGHT THREAD	78855	10657-4-2	HOSE END,FEMALE SWIVEL,JIC
67371	12 S6LO-S	BRANCH TEE,SWIVEL NUT TO ORFS	79138	PS-B-37	SLEEVE,NYLON,2.38" ID
67498	4 FNL-S	CAP, TUBE END	79476	1JS43-6-8	HOSE END,FEMALE SWIVEL,SEAL LOK
67906	DC-370-F0F0-5	VALVE,CHECK	79847	12-3/4 A0EG-S	ELBOW,90°,STRAIGHT THREAD TO FEMALE PIPE
69316	8 FLO-S	CONNECTOR,MALE PIPE TO ORFS	80044	8 CLO-S	ELBOW,90°,MALE PIPE TO ORFS
69333	H3174PP	CLAMP,HYDRAULIC HOSE	80502	8 F5OX-S	CONNECTOR,STRAIGHT THREAD TO FLARE TUBE
69503	4 F65OX-S	CONNECTOR,STRAIGHT THREAD TO 37° SWIVEL	80503	8 C5OX-S	ELBOW,90°,STRAIGHT THREAD TO FLARE TUBE
69775	8 FNL-S	CAP, TUBE END	81010	AS-B-27	SLEEVE,NYLON,1.63" ID
71038	1/4X1/4F3HG-S	ADAPTER,CONVERSION	83052	821-6	HOSE,3/8 INCH ID
71196	12-8 F5OLO-S	CONNECTOR,STRAIGHT THREAD TO ORFS	83053	821-8	HOSE,1/2 INCH ID
71383	1/4 CD45-S	ELBOW,45°,MALE TO FEMALE PIPE	83054	821-12	HOSE,3/4 INCH ID
72270	12FNL-S	CAP, TUBE END	83055	30682-6-6	HOSE END,FEMALE SWIVEL,JIC
73436	60C-4	SLEEVE,COMPRESSION	83056	30682-12-12	HOSE END,FEMALE SWIVEL,JIC
73437	61C-4	NUT,COMPRESSION	83057	33782-6-6	HOSE END,45° FEMALE SWIVEL,JIC
73438	33482-4-4B	HOSE END,PUSH LOK,MALE	83058	33982-6-6	HOSE END,90° FEMALE SWIVEL,JIC
73767	1CD-S	ELBOW,90°,MALE TO FEMALE PIPE	83060	33982-12-12	HOSE END,90° FEMALE SWIVEL,JIC
73768	20-16-F5OG5-S	ADAPTER,FEMALE PIPE TO STRAIGHT THREAD	83063	13743-4-4	HOSE END,45° FEMALE SWIVEL,JIC
73769	16-20 F5OLO-S	CONNECTOR,STRAIGHT THREAD TO ORFS			
74660	6-8 F42EDMLO-S	CONNECTOR,MALE BSPP TO ORFS			
74661	8-8 F42EDMLO-S	CONNECTOR,MALE BSPP TO ORFS			
75007	4 FLO-S	CONNECTOR,MALE PIPE TO ORFS			
75008	1/8 HP-S	PLUG,PIPE THREAD			
75014	1/2 HP-S	PLUG,PIPE THREAD			
75042	8 WELO-WLNL-S	UNION,90° BULKHEAD W/NUT,ORFS			
75043	3/4 FF-S	NIPPLE,PIPE			
75254	24 F5OHAO-S	UNION,STRAIGHT THREAD			
75255	12 F5OHAO-S	UNION,STRAIGHT THREAD			
75256	XV506P-24	BALL VALVE			
75574	4 WLNL-S	BULKHEAD LOCKNUT			
75612	8 WJLO-WLNL-S	RUN TEE, BULKHEAD,ORFS			
75613	12-8 F5OG5-S	ADAPTER,FEMALE PIPE TO STRAIGHT THREAD			
75614	8 CC5OLO-S	ELBOW,90° LONG,STRAIGHT THREAD TO ORFS			
75628	1JB43-4-4	HOSE END,BULKHEAD,SEAL LOK			

Fitting Cross References (Continued)

Genie PN	Parker PN	Description	Genie PN	Parker PN	Description
83064	13743-8-8	HOSE END,45° FEMALE SWIVEL,JIC	89449	6 WJLO-WLNL-S	RUN TEE, BULKHEAD,ORFS
83065	13743-12-12	HOSE END,45° FEMALE SWIVEL,JIC	89489	4 WJMLO-S	BRANCH TEE,BULKHEAD,ORFS
83066	13943-8-8	HOSE END,90° FEMALE SWIVEL,JIC	89551	1JB43-6-6	HOSE END,BULKHEAD,SEAL LOK
83067	14143-6-6	HOSE END,90° FEMALE SWIVEL,JIC	89552	1JB43-8-8	HOSE END,BULKHEAD,SEAL LOK
83068	14143-8-8	HOSE END,90° FEMALE SWIVEL,JIC	89593	20 C5OLO-S	ELBOW,90°,STRAIGHT THREAD TO ORFS
83069	14143-12-12	HOSE END,90° FEMALE SWIVEL,JIC	94161	8-8 CLO-S	ELBOW,90°,MALE PIPE TO ORFS
83070	772-8	HOSE,1/2 INCH ID	94358	351TC-12	HOSE,3/4 INCH ID
83071	10671-8-8	HOSE END,FEMALE SWIVEL,JIC	94418	20 FLO-S	CONNECTOR,MALE PIPE TO ORFS
83072	10671-12-12	HOSE END,FEMALE SWIVEL,JIC	96358	12 TX-S	SLEEVE,FLARE TUBE
83073	13771-8-8	HOSE END,45° FEMALE SWIVEL,JIC	96359	12 BTX-S	NUT,FLARE TUBE
83074	13771-12-12	HOSE END,45° FEMALE SWIVEL,JIC	96397	8 F5OX-S	CONNECTOR,STRAIGHT THREAD TO FLARE TUBE
83075	13971-8-8	HOSE END,90° FEMALE SWIVEL,JIC	96398	12-8 F5OX-S	CONNECTOR,STRAIGHT THREAD TO FLARE TUBE
83076	13971-12-12	HOSE END,90° FEMALE SWIVEL,JIC	96402	10343-6-6	HOSE END,MALE,JIC
83077	14171-8-8	HOSE END,90° FEMALE SWIVEL,JIC	96407	30382-6-6B	HOSE END,MALE,JIC
83078	14171-12-12	HOSE END,90° FEMALE SWIVEL,JIC			
83080	13943-16-16	HOSE END,90° FEMALE SWIVEL,JIC			
83103	10671-16-12	HOSE END,FEMALE SWIVEL,JIC			
83104	10671-10-12	HOSE END,FEMALE SWIVEL,JIC			
83112	1JC71-8-8	HOSE END,FEMALE SWIVEL,SEAL LOK			
83113	1JS71-16-12	HOSE END,FEMALE SWIVEL,SEAL LOK			
83114	1JS71-10-12	HOSE END,FEMALE SWIVEL,SEAL LOK			
83115	1J971-8-8	HOSE END,90° FEMALE SWIVEL,SEAL LOK			
83116	1J171-8-8	HOSE END,90° FEMALE SWIVEL,SEAL LOK			
83117	1J771-8-8	HOSE END,45° FEMALE SWIVEL,SEAL LOK			
83127	1J543-6-8	HOSE END,90° FEMALE SWIVEL,JIC			
83128	1JC43-6-8	HOSE END,FEMALE SWIVEL,SEAL LOK			
87033	12-6 TRLO-S	REDUCER,TUBE END TO SWIVEL,ORFS			
87034	3J782-8-8	HOSE END,45° FEMALE SWIVEL,SEAL LOK			
87172	12 HP5ON-S	PLUG,STRAIGHT THREAD			
87185	8 WNLO-WLNL-S	UNION,BULKHEAD 45°,ORFS			
87246	4 C6X-S	ELBOW,90°,SWIVEL NUT TO FLARE TUBE			
87679	6 LHP-S	FLANGE SEAL FITTING, MALE			
87681	6PLS N0702	BONDED SEAL			
88100	SR88100	ADAPTER,OIL DRAIN,GM 3.0L			
88311	1JS43-20-20	HOSE END,FEMALE SWIVEL,SEAL LOK			
88353	20 V5OLO-S	ELBOW,45°,STRAIGHT THREAD TO ORFS			
88474	10081-20	Crimp Shell, 1.25"			
88475	1988-20-24	HOSE END,90° FLANGE HEAD			
88476	JS88-24-24	HOSE END,FEMALE SWIVEL,SEAL LOK			
88477	1JC88-20-20	HOSE END,FEMALE SWIVEL,SEAL LOK			
88478	811-20	HOSE,11/4 INCH ID			
88936	20-16 F5OLO-S	CONNECTOR,STRAIGHT THREAD TO ORFS			
88937	20-16 FLO-S	CONNECTOR,MALE PIPE TO ORFS			
88938	1JC88-16-16	HOSE END,FEMALE SWIVEL,SEAL LOK			
88939	1J988-16-16	HOSE END,90° FEMALE SWIVEL,ORFS			
88940	811-16	HOSE,1 INCH ID			
88944	1J988-20-20	HOSE END,90° FEMALE SWIVEL,ORFS			
89403	16 VLO-S	ELBOW,45°,MALE PIPE TO ORFS			

California Proposition 65



WARNING

Operating, servicing and maintaining this equipment can expose you to chemicals including engine exhaust, carbon monoxide, phthalates, and lead, which are known to the State of California to cause cancer and birth defects or other reproductive harm. These chemicals can be emitted from or contained in other various parts and systems, fluids and some component wear by-products. To minimize exposure, avoid breathing exhaust, do not idle the engine except as necessary, service your equipment and vehicle in a well-ventilated area and wear gloves or wash your hands frequently when servicing your equipment or vehicle and after operation. For more information go to www.P65Warnings.ca.gov/passenger-vehicle.

Breathing diesel engine exhaust exposes you to chemicals known to the State of California to cause cancer and birth defects or other reproductive harm.

- Always start and operate the engine in a well-ventilated area.
- If in an enclosed area, vent the exhaust to the outside.
- Do not modify or tamper with the exhaust system.
- Do not idle the engine except as necessary.

For more information go to www.P65warnings.ca.gov/diesel.

Parts Manual

S-40,S-45

from SN 831 to 7000

Part No.
52090

Rev E46

Genie
A TEREX BRAND